



ADP-BNCM-BNCF-R

BNC Plug to BNC Jack Adapter

The ADP-BNCM-BNCF-R is a BNC plug to BNC right-angle jack adapter. Operating from 0 Hz to 7 GHz, the ADP-BNCM-BNCF-R combines superior performance, compact size, and a convenient bayonet-style mating interface to provide a reliable, easy-to-use adapter. Additionally, all Linx BNC adapters meet RoHS lead free standards and are tested to meet requirements for corrosion resistance, vibration, mechanical and thermal shock.

FEATURES

- 0 to 7 GHz operation
- BNC plug (male pin) connection
 - Nickel plated brass body
 - Gold plated brass center contact
- BNC jack (female socket) connection
 - Nickel plated brass body
 - Gold plated phosphor bronze center contact
- Right-angle design

APPLICATIONS

- Audio/Video
- Broadcasting
- Test Equipment
- Surveillance Systems
- Ethernet
- Industrial, Commercial, Enterprise

ORDERING INFORMATION

| Part Number | Description |
|--------------------|---|
| ADP-BNCM-BNCF-R | BNC plug (male pin) to BNC right-angle jack (female socket) adapter |

Available from Linx Technologies and select distributors and representatives.

TABLE 1. ELECTRICAL SPECIFICATIONS

| Parameter | Value |
|--------------------------|--|
| Impedance | 50 Ω |
| Frequency Range | 0 Hz to 7 GHz |
| Contact Resistance | Center: $\leq 3.0 \text{ m}\Omega$ Outer: $\leq 2.0 \text{ m}\Omega$ |
| Insertion Loss (dB max.) | 0.7 |
| VSWR (max.) | 1.8 |

PRODUCT DIMENSIONS

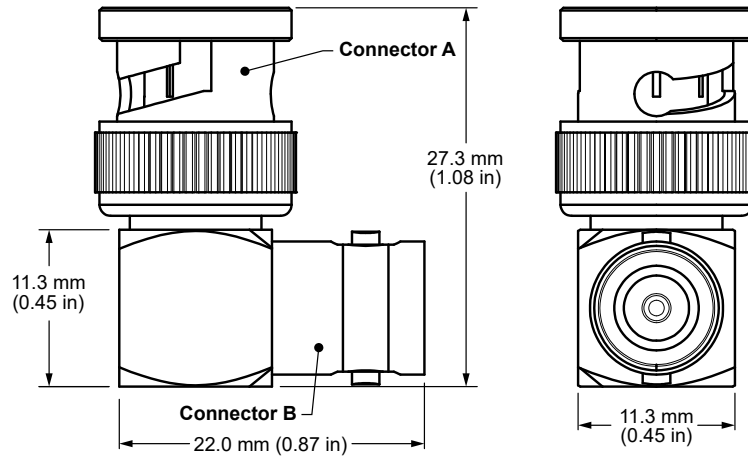


Figure 1. Product Dimensions for the ADP-BNCF-BNCF Adapter

TABLE 2. ADAPTER COMPONENTS

| ADP-BNCF-BNCF-R | Connector A BNC plug (male pin) | | Connector B BNC jack (female socket) | |
|-----------------|------------------------------------|--------|---|--------|
| | Material | Finish | Material | Finish |
| Connector Part | Brass | Nickel | Brass | Nickel |
| Body | Brass | Nickel | Brass | Nickel |
| Center Contact | Brass | Gold | Phosphor bronze | Gold |
| Insulator | PTFE | - | PTFE | - |

TABLE 3. MECHANICAL SPECIFICATIONS

| ADP-BNCF-BNCF-R | Connector A BNC plug (male pin) | Connector B BNC jack (female socket) |
|------------------------------|-------------------------------------|---|
| Mounting Type | Inline, Free-hanging | |
| Fastening Type | Bayonet-style Coupling (Push/Twist) | Bayonet-style Coupling (Push/Twist) |
| Interface in Accordance with | MIL-STD-348B | MIL-STD-348B |
| Durability | 500 cycles min. | 500 cycles min. |
| Weight | 19.5 g (0.69 oz) | |

TABLE 4. ENVIRONMENTAL SPECIFICATIONS

| MIL-STD, Method, Test Condition | |
|---------------------------------|---|
| Corrosion (Salt spray) | MIL-STD-202 Method 101 test condition B |
| Thermal Shock | MIL-STD-202 Method 107 test condition C |
| Vibration | MIL-STD-202 Method 204 test condition B |
| Mechanical Shock | MIL-STD-202 Method 213 test condition B |
| Moisture Resistance | MIL-STD-202 Method 106 test condition D |
| Temperature Range | -65 °C to +165 °C |
| Environmental Compliance | RoHS |

INSERTION LOSS

Figure 2 shows the Insertion Loss for the ADP-BNCF-R adapter. Insertion loss is the loss of signal power (gain) resulting from the insertion of a device in a transmission line.

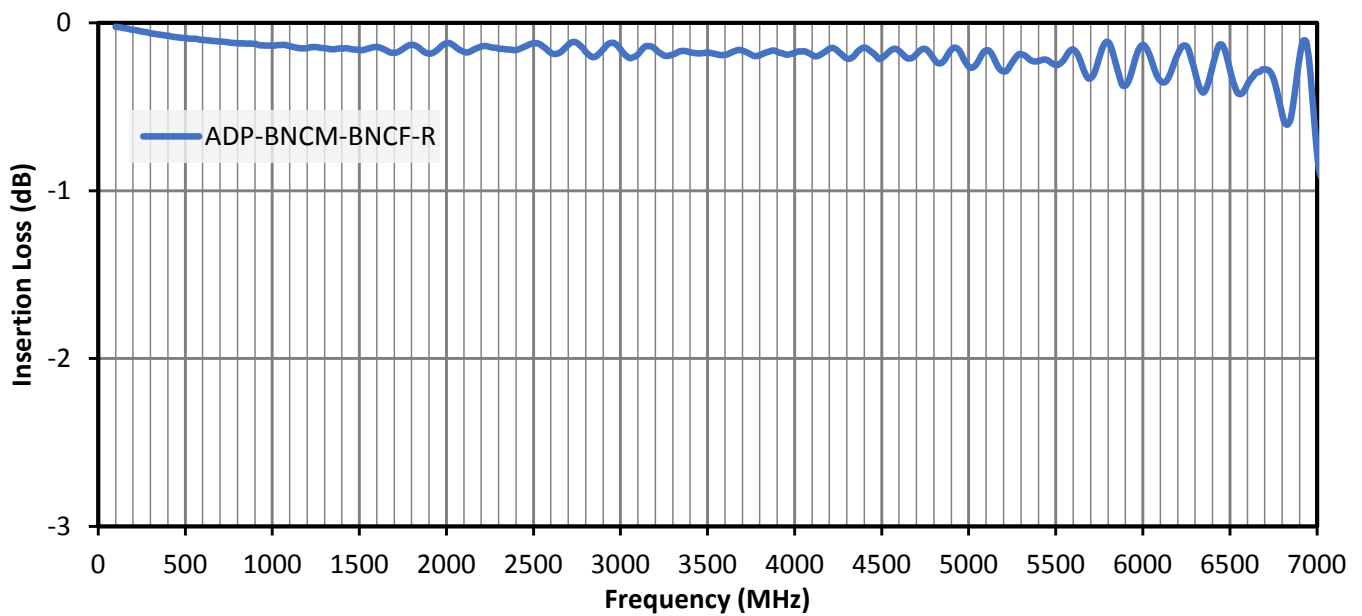


Figure 2. Insertion Loss for the ADP-BNCF-R Adapter

VSWR

Figure 3 provides the voltage standing wave ratio (VSWR) across the adapter's bandwidth for the ADP-BNCF-BNCF-R adapter. VSWR describes how efficiently power is transmitted. A lower VSWR value indicates better performance at a given frequency.

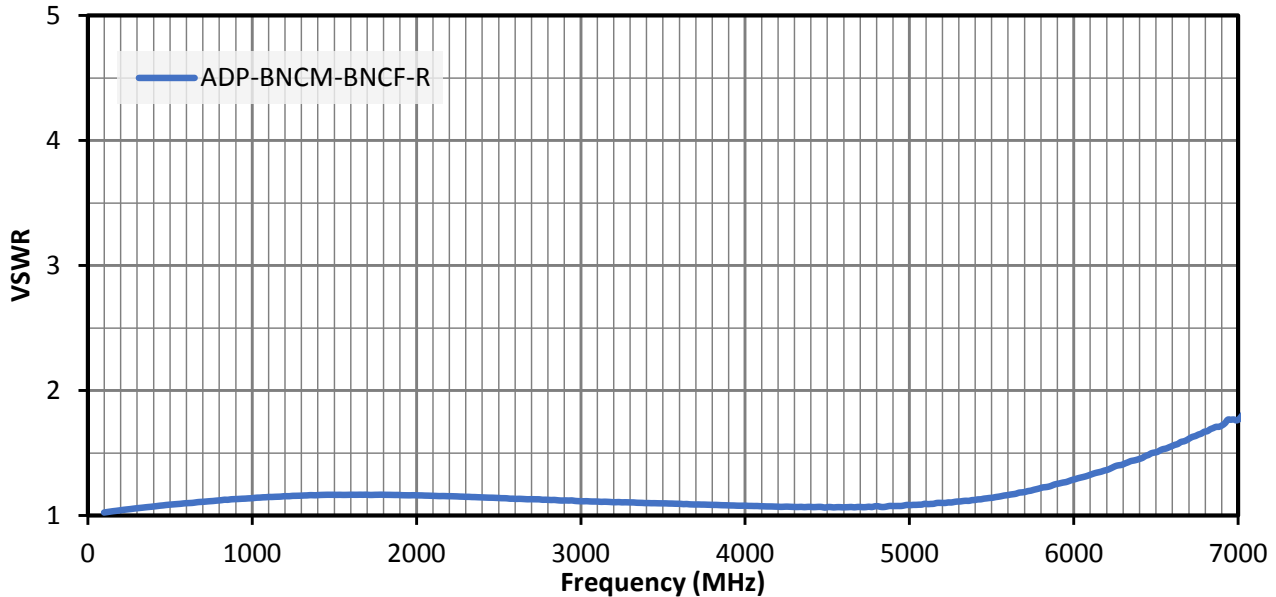


Figure 3. VSWR for the ADP-BNCF-BNCF Adapter

PACKAGING INFORMATION

The ADP-BNCF-BNCF-R adapter is individually placed in a clear polyethylene bag. 25 pcs are packaged in a larger protective bag. 750 pcs are packaged in a shipping carton (370 mm x 330 mm x 240 mm). Distribution channels may offer alternative packaging options.

TE TECHNICAL SUPPORT CENTER

| | |
|-------------------|-----------------------|
| USA: | +1 (800) 522-6752 |
| Canada: | +1 (905) 475-6222 |
| Mexico: | +52 (0) 55-1106-0800 |
| Latin/S. America: | +54 (0) 11-4733-2200 |
| Germany: | +49 (0) 6251-133-1999 |
| UK: | +44 (0) 800-267666 |
| France: | +33 (0) 1-3420-8686 |
| Netherlands: | +31 (0) 73-6246-999 |
| China: | +86 (0) 400-820-6015 |

te.com

TE Connectivity, TE, TE connectivity (logo), Linx and Linx Technologies are trademarks owned or licensed by the TE Connectivity Ltd. family of companies. All other logos, products and/or company names referred to herein might be trademarks of their respective owners.

The information given herein, including drawings, illustrations and schematics which are intended for illustration purposes only, is believed to be reliable. However, TE Connectivity makes no warranties as to its accuracy or completeness and disclaims any liability in connection with its use. TE Connectivity's obligations shall only be as set forth in TE Connectivity's Standard Terms and Conditions of Sale for this product and in no case will TE Connectivity be liable for any incidental, indirect or consequential damages arising out of the sale, resale, use or misuse of the product. Users of TE Connectivity products should make their own evaluation to determine the suitability of each such product for the specific application.

TE Connectivity warrants to the original end user customer of its products that its products are free from defects in material and workmanship. Subject to conditions and limitations TE Connectivity will, at its option, either repair or replace any part of its products that prove defective because of improper workmanship or materials. This limited warranty is in force for the useful lifetime of the original end product into which the TE Connectivity product is installed. Useful lifetime of the original end product may vary but is not warranted to exceed one (1) year from the original date of the end product purchase.

©2022 TE Connectivity. All Rights Reserved.

12/22 Original