



CONN002-W

N Jack Sealed Panel Mount Solder Connector

The CONN002-W is an N jack panel mount connector that provides a seal when mounted to an enclosure using the provided silicone gasket. Operating from 0 GHz to 11 GHz, the CONN002-W provides superior performance by utilizing white bronze plating to reduce distortion caused by passive intermodulation (PIM). Additionally, all Linx connectors meet RoHS lead free standards and are tested to meet requirements for corrosion resistance, vibration, mechanical and thermal shock.

FEATURES

- 0 to 11 GHz operation
- White Bronze plating
 - Low Passive Intermodulation (PIM)
 - Superior corrosion resistance
- N jack (female socket) connection
 - Gold plated phosphor bronze center contact
- Silicone gasket provided
- Interface
 - Solder pin

ELECTRICAL SPECIFICATIONS

| | | |
|-------------------------|--|-------|
| Impedance | 50 Ω | |
| Frequency Range | 0 to 11 GHz | |
| Voltage Rating | 1500 V RMS | |
| Contact Resistance | Center: ≤ 1.0 m Ω Outer: ≤ 1.0 m Ω | |
| Selected Frequencies | 2.4 GHz | 6 GHz |
| Insertion Loss (dB max) | 0.11 | 0.29 |
| VSWR (max) | 1.1 | 1.7 |

ORDERING INFORMATION

| Part Number | Description |
|-------------|---|
| CONN002-W | N jack (female socket) sealed panel mount connector |

Available from Linx Technologies and select distributors and representatives.

PRODUCT DIMENSIONS

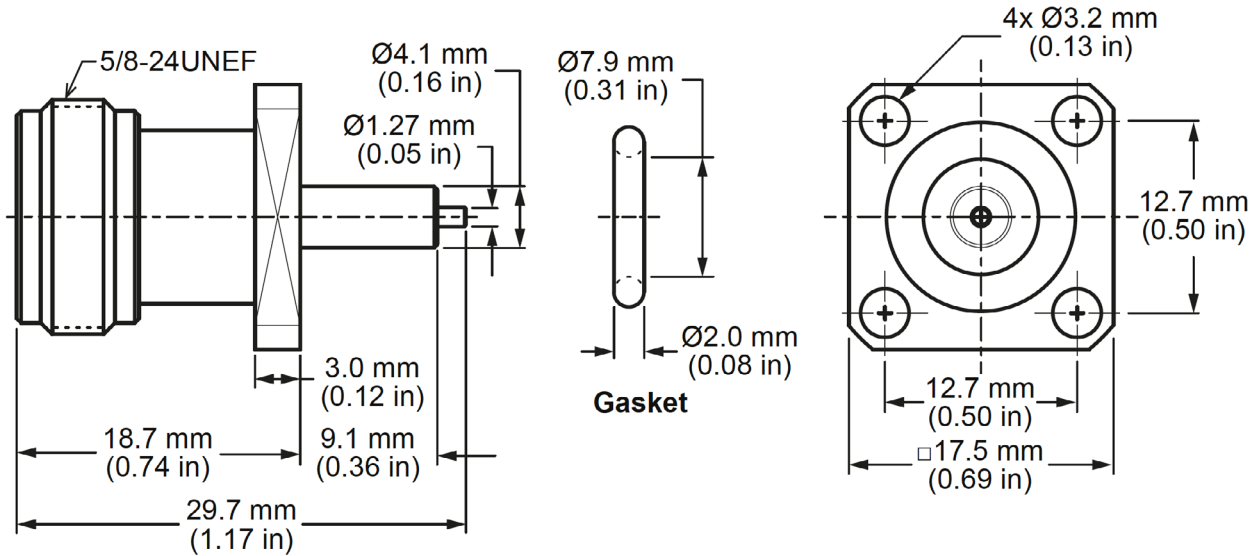


Figure 1. Product Dimensions for the CONN002-W Connector

CONNECTOR COMPONENTS

| Model | CONN002-W | | |
|-------------------------|-----------------|--------------|--|
| Connector Part | Material | Finish | |
| Connector Body | Brass | White Bronze | |
| Center Contact (socket) | Phosphor Bronze | Gold | |
| Insulator | PTFE | - | |
| Gasket | Silicone | - | |

RECOMMENDED MOUNTING

Figure 2 shows the recommended mounting hole dimensions.

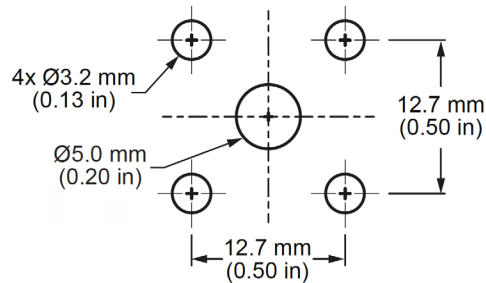


Figure 2. Recommended Mounting Dimensions for the CONN002-W Connector

CONNECTOR PERFORMANCE

Table 1 shows insertion loss and VSWR values for the CONN002-W connector at commonly used frequencies. Insertion loss is the loss of signal power (gain) resulting from the insertion of a device in a transmission line. VSWR describes how efficiently power is transmitted through the connector. A lower VSWR value indicates better performance at a given frequency.

TABLE 1. INSERTION LOSS AND VSWR FOR THE CONN002-W CONNECTOR

| Band | Low-Band Cellular/ ISM/LPWA | Midband Cellular/ GNSS | WiFi/ISM | WiFi 6 |
|-------------------------|--------------------------------|---------------------------|----------|--------------------|
| Frequency Range | 400 MHz to 960 MHz | 1.1 GHz to 5 GHz | 2.4 GHz | 5 GHz to 7.125 GHz |
| Insertion Loss (dB max) | 0.07 | 0.26 | 0.11 | 0.48 |
| VSWR (max) | 1.1 | 1.7 | 1.1 | 2.2 |

MECHANICAL SPECIFICATIONS

| Model | CONN002-W |
|------------------------------|-------------------------------|
| Mounting Type | Panel Mount |
| Fastening Type | 5/8"-24UNEF Threaded Coupling |
| Interface in Accordance with | MIL-STD-348A |
| Recommended Torque | 0.85 N m (7.5 ft lbs) |
| Coupling Nut Retention | 100 lbs. min. |
| Connector Durability | 500 cycles min. |
| Weight | 20.4 g (0.72 oz) |

ENVIRONMENTAL SPECIFICATIONS

| | MIL-STD/Method/Test Condition |
|--------------------------|---|
| Corrosion (Salt spray) | MIL-STD-202 Method 101 test condition B |
| Thermal Shock | MIL-STD-202 Method 107 test condition B |
| Vibration | MIL-STD-202 Method 204 test condition B |
| Mechanical Shock | MIL-STD-202 Method 213 test condition I |
| Temperature Range | -65 °C to +165 °C |
| Environmental Compliance | RoHS |

PACKAGING INFORMATION

The CONN002-W connectors are individually packaged in a clear plastic bag. Connectors are packaged in cartons of 250 pcs. Distribution channels may offer alternative packaging options.

TE TECHNICAL SUPPORT CENTER

| | |
|-------------------|-----------------------|
| USA: | +1 (800) 522-6752 |
| Canada: | +1 (905) 475-6222 |
| Mexico: | +52 (0) 55-1106-0800 |
| Latin/S. America: | +54 (0) 11-4733-2200 |
| Germany: | +49 (0) 6251-133-1999 |
| UK: | +44 (0) 800-267666 |
| France: | +33 (0) 1-3420-8686 |
| Netherlands: | +31 (0) 73-6246-999 |
| China: | +86 (0) 400-820-6015 |

te.com

TE Connectivity, TE, TE connectivity (logo), Linx and Linx Technologies are trademarks owned or licensed by the TE Connectivity Ltd. family of companies. All other logos, products and/or company names referred to herein might be trademarks of their respective owners.

The information given herein, including drawings, illustrations and schematics which are intended for illustration purposes only, is believed to be reliable. However, TE Connectivity makes no warranties as to its accuracy or completeness and disclaims any liability in connection with its use. TE Connectivity's obligations shall only be as set forth in TE Connectivity's Standard Terms and Conditions of Sale for this product and in no case will TE Connectivity be liable for any incidental, indirect or consequential damages arising out of the sale, resale, use or misuse of the product. Users of TE Connectivity products should make their own evaluation to determine the suitability of each such product for the specific application.

TE Connectivity warrants to the original end user customer of its products that its products are free from defects in material and workmanship. Subject to conditions and limitations TE Connectivity will, at its option, either repair or replace any part of its products that prove defective because of improper workmanship or materials. This limited warranty is in force for the useful lifetime of the original end product into which the TE Connectivity product is installed. Useful lifetime of the original end product may vary but is not warranted to exceed one (1) year from the original date of the end product purchase.

©2022 TE Connectivity. All Rights Reserved.

11/22 Original