



CONN003-W

N Jack Panel Mount Connector

The CONN003-W is an N jack panel mount connector. Operating from 0 GHz to 11 GHz, the CONN003-W provides superior performance by utilizing white bronze plating to reduce distortion caused by passive intermodulation (PIM). Additionally, all Linx connectors meet RoHS lead free standards and are tested to meet requirements for corrosion resistance, vibration, mechanical and thermal shock.

FEATURES

- 0 to 11 GHz operation
- White Bronze plating
 - Low Passive Intermodulation (PIM)
 - Superior corrosion resistance
- N jack (female socket) connection
 - Gold plated phosphor bronze center contact
- Interface
 - Solder cup

ELECTRICAL SPECIFICATIONS

Impedance	50 Ω	
Frequency Range	0 to 11 GHz	
Voltage Rating	2500 V RMS	
Contact Resistance	Center: $\leq 1.0 \text{ m}\Omega$ Outer: $\leq 1.0 \text{ m}\Omega$	
Selected Frequencies	2.4 GHz	6 GHz
Insertion Loss (dB max)	-0.09	-0.15
VSWR (max)	1.1	1.4

ORDERING INFORMATION

Part Number	Description
CONN003-W	N jack (female socket) panel mount connector

Available from Linx Technologies and select distributors and representatives.

PRODUCT DIMENSIONS

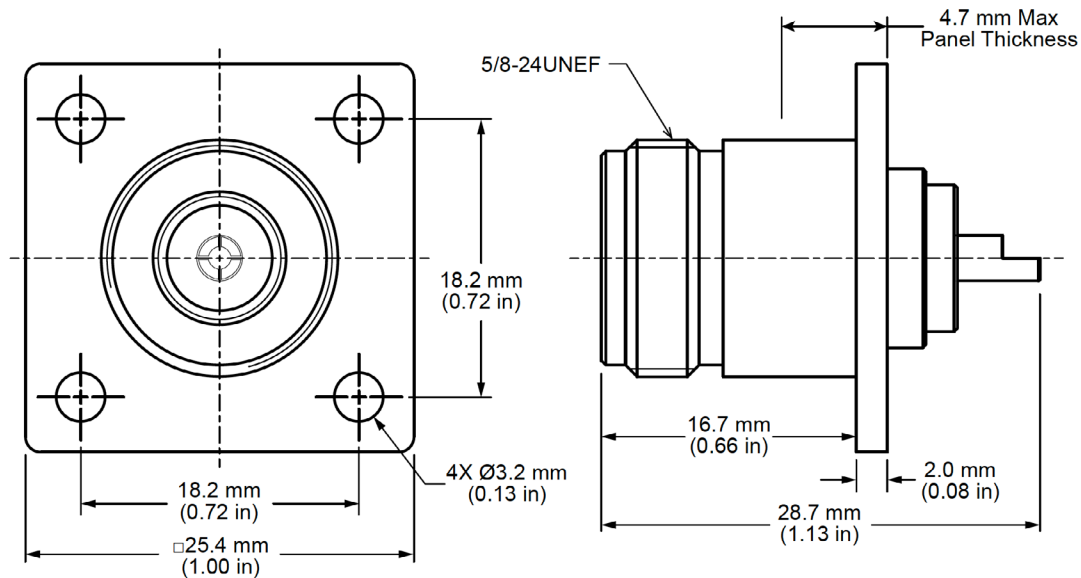


Figure 1. Product Dimensions for the CONN003-W Connector

CONNECTOR COMPONENTS

Model	CONN003-W	
Connector Part	Material	Finish
Connector Body	Brass	White Bronze
Center Contact (socket)	Phosphor Bronze	Gold
Insulator	PTFE	-

RECOMMENDED MOUNTING

The recommended enclosure mounting dimensions are shown in Figure 2.

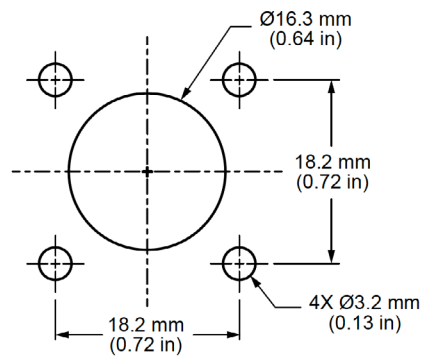


Figure 2. Recommended Enclosure Mounting Dimensions

CONNECTOR PERFORMANCE

Table 1 shows insertion loss and VSWR values for the CONN003-W connector at commonly used frequencies. Insertion loss is the loss of signal power (gain) resulting from the insertion of a device in a transmission line. VSWR describes how efficiently power is transmitted through the connector. A lower VSWR value indicates better performance at a given frequency.

TABLE 1. INSERTION LOSS AND VSWR FOR THE CONN003-W CONNECTOR

Band	Low-Band Cellular/ ISM/LPWA	Midband Cellular/ GNSS	WiFi/ISM	WiFi 6
Frequency Range	400 MHz to 960 MHz	1.1 GHz to 5 GHz	2.4 GHz	5 GHz to 7.125 GHz
Insertion Loss (dB max)	-0.06	-0.26	-0.09	-0.28
VSWR (max)	1.0	1.8	1.1	1.8

MECHANICAL SPECIFICATIONS

Model	CONN003-W
Mounting Type	Panel Mount
Fastening Type	5/8"-24UNEF Threaded Coupling
Interface in Accordance with	MIL-STD-348A
Recommended Torque	0.85 N m (7.5 ft lbs)
Coupling Nut Retention	100 lbs. min.
Connector Durability	500 cycles min.
Weight	30.5 g (1.07 oz)

ENVIRONMENTAL SPECIFICATIONS

	MIL-STD/Method/Test Condition
Corrosion (Salt spray)	MIL-STD-202 Method 101 test condition B
Thermal Shock	MIL-STD-202 Method 107 test condition B
Vibration	MIL-STD-202 Method 204 test condition B
Mechanical Shock	MIL-STD-202 Method 213 test condition I
Temperature Range	-65 °C to +165 °C
Environmental Compliance	RoHS

PACKAGING INFORMATION

The CONN003-W connectors are individually packaged in a clear plastic bag. Connectors are packaged in cartons of 250 pcs. Distribution channels may offer alternative packaging options.

TE TECHNICAL SUPPORT CENTER

USA:	+1 (800) 522-6752
Canada:	+1 (905) 475-6222
Mexico:	+52 (0) 55-1106-0800
Latin/S. America:	+54 (0) 11-4733-2200
Germany:	+49 (0) 6251-133-1999
UK:	+44 (0) 800-267666
France:	+33 (0) 1-3420-8686
Netherlands:	+31 (0) 73-6246-999
China:	+86 (0) 400-820-6015

te.com

TE Connectivity, TE, TE connectivity (logo), Linx and Linx Technologies are trademarks owned or licensed by the TE Connectivity Ltd. family of companies. All other logos, products and/or company names referred to herein might be trademarks of their respective owners.

The information given herein, including drawings, illustrations and schematics which are intended for illustration purposes only, is believed to be reliable. However, TE Connectivity makes no warranties as to its accuracy or completeness and disclaims any liability in connection with its use. TE Connectivity's obligations shall only be as set forth in TE Connectivity's Standard Terms and Conditions of Sale for this product and in no case will TE Connectivity be liable for any incidental, indirect or consequential damages arising out of the sale, resale, use or misuse of the product. Users of TE Connectivity products should make their own evaluation to determine the suitability of each such product for the specific application.

TE Connectivity warrants to the original end user customer of its products that its products are free from defects in material and workmanship. Subject to conditions and limitations TE Connectivity will, at its option, either repair or replace any part of its products that prove defective because of improper workmanship or materials. This limited warranty is in force for the useful lifetime of the original end product into which the TE Connectivity product is installed. Useful lifetime of the original end product may vary but is not warranted to exceed one (1) year from the original date of the end product purchase.

©2022 TE Connectivity. All Rights Reserved.

11/22 Original