



CON SMB012-G

SMB Plug Cable-Mount Connector

The CON SMB012-G is an SMB plug right angle connector designed for use with RG-174, 316 or equivalent coaxial cable using the provided crimp ferrule and heat shrink tubing. Operating from 0 GHz to 12 GHz, the CON SMB012-G combines superior performance, compact size, and a convenient snap-on mating interface to provide a reliable, easy-to-use connector. Additionally, all Linx connectors meet RoHS lead free standards and are tested to meet requirements for corrosion resistance, vibration, mechanical and thermal shock.

FEATURES

- 0 to 12 GHz operation
- Right angle design for connection in tight spaces
- Gold plating
 - Superior corrosion resistance
- SMB plug (female socket) connection
 - Gold plated beryllium copper center contact
- Crimp type coaxial cable mount for use with
 - RG-174, 316
 - Crimp ferrule and heat shrink tubing provided

APPLICATIONS

- LPWA
 - LoRaWAN®, Sigfox®, WiFi HaLow™ (802.11ah)
- Cellular IoT
 - LTE-M (Cat-M1), NB-IoT
- Cellular
 - 5G/4G LTE/3G/2G
- GNSS
 - GPS, Galileo, GLONASS, BeiDou, QZSS
- Industrial/Commercial/Enterprise
- ISM

TABLE 1. ELECTRICAL SPECIFICATIONS

Parameter	Value	
Impedance	50 Ω	
Frequency Range	0 to 12 GHz	
Voltage Rating	750 V RMS	
Contact Resistance	Center: ≤ 6.0 mΩ Outer: ≤ 1.0 mΩ	
Select Frequencies	400 MHz to 960 MHz	2.4 GHz
Insertion Loss (dB max)	-0.15	-0.24
VSWR (max)	1.1	1.1

ORDERING INFORMATION

Part Number	Description
CON SMB012-G	SMB plug (female socket) cable-mount connector

Available from Linx Technologies and select distributors and representatives.

PRODUCT DIMENSIONS

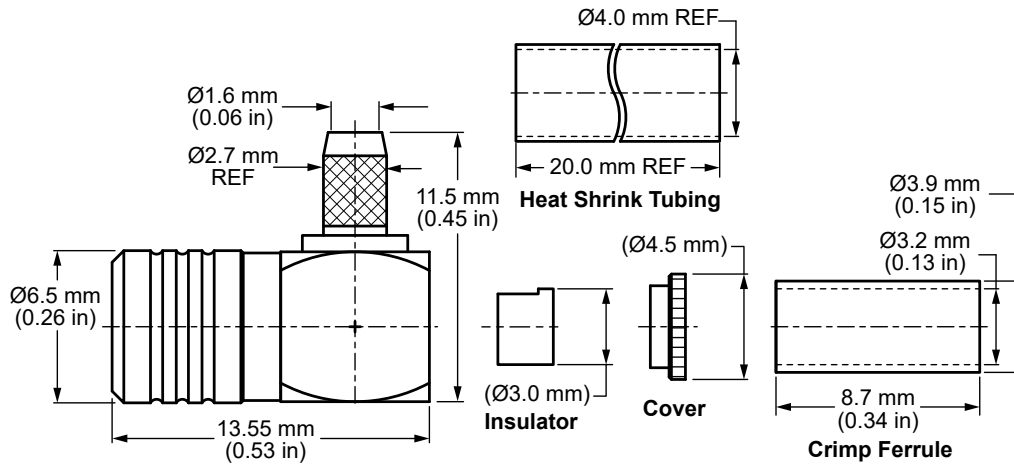


Figure 1. Product Dimensions for the CON SMB012-G Connector

2. CONNECTOR COMPONENTS

Model	CON SMB012-G	
Connector Part	Material	Finish
Connector Body	Brass	Gold
Center Contact (socket)	Beryllium Copper	Gold
Insulator	PTFE	-
Crimp Ferrule	Brass	Gold
Heat Shrink Tubing	PE	-

COAXIAL CABLE INSTALLATION

The CON SMB012-G provides a crimp type coaxial cable retention system for installation to the connector using the provided crimp ferrule and heat shrink tubing. The coaxial cable trim dimensions are provided below in Table 3 for supported coaxial cable types, and recommended hex crimp tool sizes for CON SMB012-G are shown in Table 4.

TABLE 3. COAXIAL CABLE TRIM DIMENSIONS FOR THE CON SMB012-G CONNECTOR

Coaxial Cable Types	A	B	C
RG-174/U, 316	1.0 mm (0.04 in)	4.5 mm (0.18 in)	9.0 mm (0.35 in)

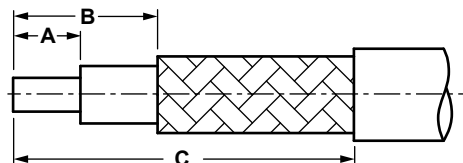


TABLE 4. RECOMMENDED HEX CRIMP TOOL SIZES FOR THE CONSMB012-G

Connector Part	Crimp Tool Size
Crimp Ferrule	3.25 mm (0.128 in)
Center Contact	Crimping not recommended

CONNECTOR PERFORMANCE

Table 5 shows insertion loss and VSWR values for the CONSMB012-G connector at commonly used frequencies.

Insertion loss is the loss of signal power (gain) resulting from the insertion of a device in a transmission line. VSWR describes how efficiently power is transmitted through the connector. A lower VSWR value indicates better performance at a given frequency.

TABLE 5. INSERTION LOSS AND VSWR FOR THE CONSMB012-G CONNECTOR

Band	Low-Band Cellular/ ISM/LPWA	Midband Cellular/ GNSS	WiFi/ISM	WiFi 6
Frequency Range	400 MHz to 960 MHz	1164 MHz to 5000 MHz	2.4 GHz	5 GHz to 7.125 GHz
Insertion Loss (dB max)	-0.15	-0.36	-0.22	-0.64
VSWR (max)	1.1	1.2	1.1	1.5

TABLE 6. MECHANICAL SPECIFICATIONS

Model	CONSMB012-G
Mounting Type	Cable Mount (crimp type)
Fastening Type	Snap-on Coupling
Interface in Accordance with	MIL-STD-348A
Connector Durability	500 cycles min.
Weight	3.4 g (0.12 oz)

TABLE 7. ENVIRONMENTAL SPECIFICATIONS

MIL-STD, Method, Test Condition	
Corrosion (Salt spray)	MIL-STD-202 Method 101 test condition B
Thermal Shock	MIL-STD-202 Method 107 test condition B
Vibration	MIL-STD-202 Method 204 test condition B
Mechanical Shock	MIL-STD-202 Method 213 test condition I
Temperature Range	-65 °C to +165 °C
Environmental Compliance	RoHS

PACKAGING INFORMATION

The CONSMB012-G connector is placed in a clear plastic bag. Individual bags are sealed in a bulk plastic bag of 50 pcs. Bulk bags are packaged in a carton (800 pcs). Distribution channels may offer alternative packaging options.

TE TECHNICAL SUPPORT CENTER

USA:	+1 (800) 522-6752
Canada:	+1 (905) 475-6222
Mexico:	+52 (0) 55-1106-0800
Latin/S. America:	+54 (0) 11-4733-2200
Germany:	+49 (0) 6251-133-1999
UK:	+44 (0) 800-267666
France:	+33 (0) 1-3420-8686
Netherlands:	+31 (0) 73-6246-999
China:	+86 (0) 400-820-6015

te.com

TE Connectivity, TE, TE connectivity (logo), Linx and Linx Technologies are trademarks owned or licensed by the TE Connectivity Ltd. family of companies. All other logos, products and/or company names referred to herein might be trademarks of their respective owners.

The information given herein, including drawings, illustrations and schematics which are intended for illustration purposes only, is believed to be reliable. However, TE Connectivity makes no warranties as to its accuracy or completeness and disclaims any liability in connection with its use. TE Connectivity's obligations shall only be as set forth in TE Connectivity's Standard Terms and Conditions of Sale for this product and in no case will TE Connectivity be liable for any incidental, indirect or consequential damages arising out of the sale, resale, use or misuse of the product. Users of TE Connectivity products should make their own evaluation to determine the suitability of each such product for the specific application.

TE Connectivity warrants to the original end user customer of its products that its products are free from defects in material and workmanship. Subject to conditions and limitations TE Connectivity will, at its option, either repair or replace any part of its products that prove defective because of improper workmanship or materials. This limited warranty is in force for the useful lifetime of the original end product into which the TE Connectivity product is installed. Useful lifetime of the original end product may vary but is not warranted to exceed one (1) year from the original date of the end product purchase.

©2022 TE Connectivity. All Rights Reserved.

11/22 Original