



CONSMPO01-SMD-G-T

SMP Plug PCB Surface Mount Connector

The CONSMPO01-SMD-G-T is an SMP plug limited detent PCB surface mount connector designed for reflow-solder mounting directly to a printed circuit board. Operating from 0 GHz to 26.5 GHz, the CONSMPO01-SMD-G-T combines superior performance, compact size, and a convenient snap-on mating interface to provide a reliable, easy-to-use connector. Linx SMP connectors are ideal for making board-to-board connections. Additionally, all Linx connectors meet RoHS lead free standards and are tested to meet requirements for corrosion resistance, vibration, mechanical and thermal shock.

FEATURES

- 0 to 26.5 GHz operation
- SMP plug (male pin) connection
 - Gold plated beryllium copper center contact
 - Limited detent
- Ideal for board-to-board connections
- Direct PCB attachment
- Reflow- or hand-solder assembly

APPLICATIONS

- Cellular IoT
 - LTE-M (Cat-M1), NB-IoT
- Cellular
 - 5G/4G LTE/3G/2G
 - 5G mmWave
- GNSS
 - GPS, Galileo, GLONASS, BeiDou, QZSS
- Radar, Satellite Communications, Experimental

TABLE 1. ELECTRICAL SPECIFICATIONS

Parameter	Value	
Impedance	50 Ω	
Frequency Range	0 to 26.5 GHz	
Voltage Rating	500 V RMS	
Contact Resistance	Center: ≤ 6.0 m Ω Outer: ≤ 2.0 m Ω	
Select Frequencies	400 MHz to 960 MHz	12 GHz to 26.5 GHz
Insertion Loss (dB max.)	0.02	0.36
VSWR (max.)	1.1	1.8

ORDERING INFORMATION

Part Number	Description
CONSMPO01-SMD-G-T	SMP plug (male pin) limited detent PCB surface mount connector

Available from Linx Technologies and select distributors and representatives.

PRODUCT DIMENSIONS

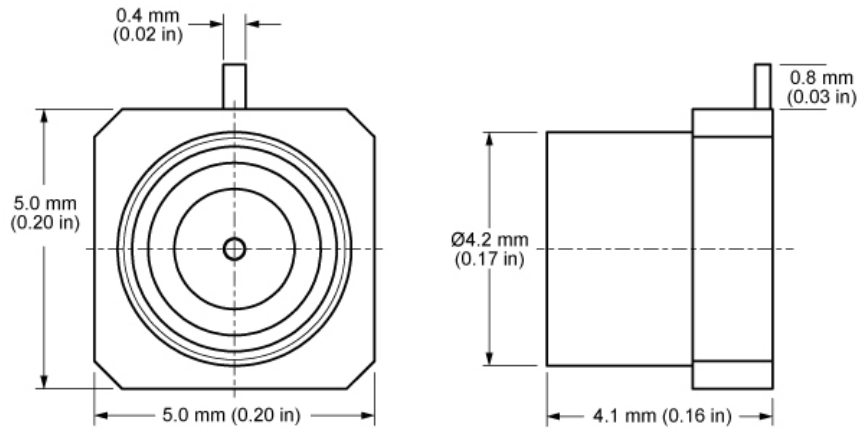


Figure 1. Product Dimensions for the CONSMP001-SMD-G-T Connector Table

2. CONNECTOR COMPONENTS

Model	CONSMP001-G-T		
Connector Part	Material		Finish
Connector Body	Brass		Gold
Base	Brass		Gold
Center Contact (male pin)	Brass		Gold
Insulator	LCP		-

RECOMMENDED PCB FOOTPRINT

Figure 2 shows the connectors recommended PCB footprint.

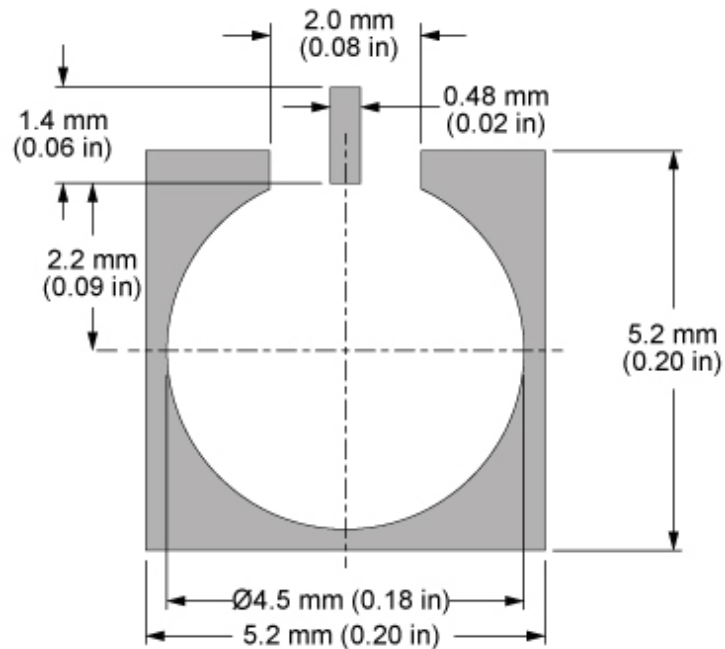


Figure 2. Recommended PCB Dimensions for the CONSMP001-SMD-G-T

CONNECTOR PERFORMANCE

Table 3 shows insertion loss and VSWR values for the CONSMP001-SMD-G-T connector at commonly used frequencies.

Insertion loss is the loss of signal power (gain) resulting from the insertion of a device in a transmission line. VSWR describes how efficiently power is transmitted through the connector. A lower VSWR value indicates better performance at a given frequency.

TABLE 3. INSERTION LOSS AND VSWR FOR THE CONSMP001-SMD-G-T CONNECTOR

Band	Low-Band Cellular/ ISM/LPWA	GNSS, Midband Cellular, Wifi	WiFi 6E	Ku/K
Frequency Range	400 MHz to 960 MHz	1.1 GHz to 5 GHz	5 GHz to 7.125 GHz	12 GHz to 26.5 GHz
Insertion Loss (dB max.)	0.02	0.02	0.05	0.36
VSWR (max.)	1.1	1.2	1.3	1.8

TABLE 4. MECHANICAL SPECIFICATIONS

Model	CONSMP001-SMD-G-T
Mounting Type	PCB Surface Mount
Fastening Type	Snap-on Coupling
Interface in Accordance with	MIL-STD-348B
Connector Durability	100 cycles min.
Weight	0.31 g (0.01 oz)

TABLE 5. ENVIRONMENTAL SPECIFICATIONS

MIL-STD, Method, Test Condition	
Corrosion (Salt spray)	MIL-STD-202 Method 101 test condition B
Thermal Shock	MIL-STD-202 Method 107 test condition C
Vibration	MIL-STD-202 Method 204 test condition B
Mechanical Shock	MIL-STD-202 Method 213 test condition B
Moisture Resistance	MIL-STD-202 Method 106 test condition D
Temperature Range	-65 °C to +155 °C
Environmental Compliance	RoHS

REFLOW SOLDER PROFILE

Figure 3 shows the time and temperature data for reflow soldering the connector to a PCB.

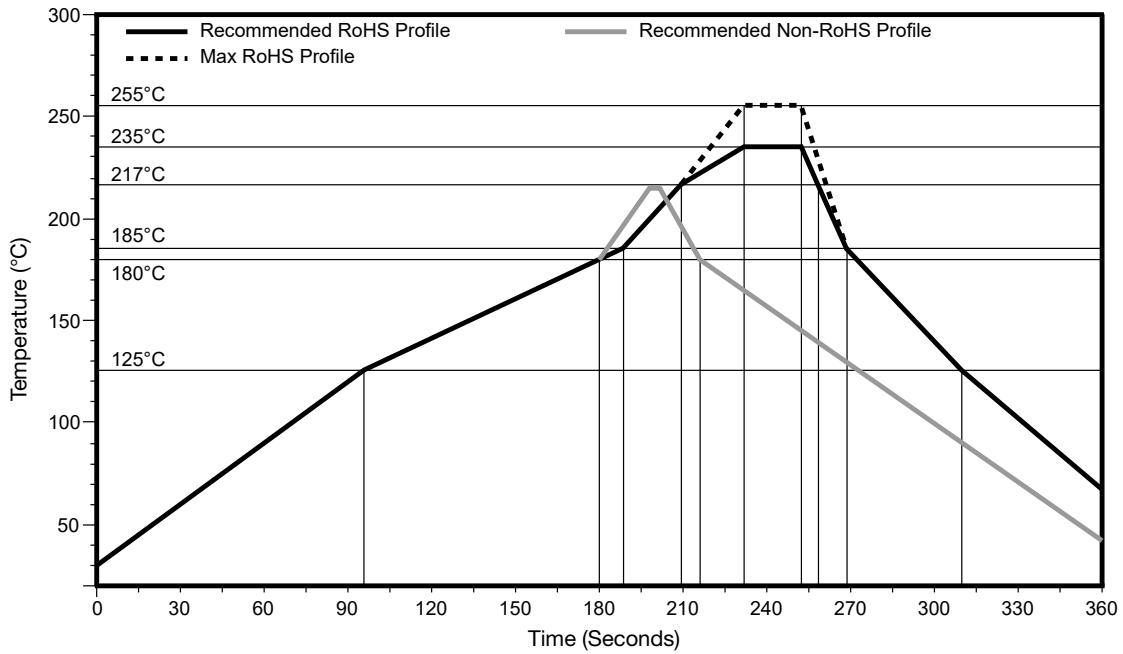


Figure 3. Recommended Reflow Solder Profile

PACKAGING INFORMATION

Figure 4 shows the tape dimensions for the CONSMPO01-SMD-G-T connector. The reel specifications are provided in Figure 5.

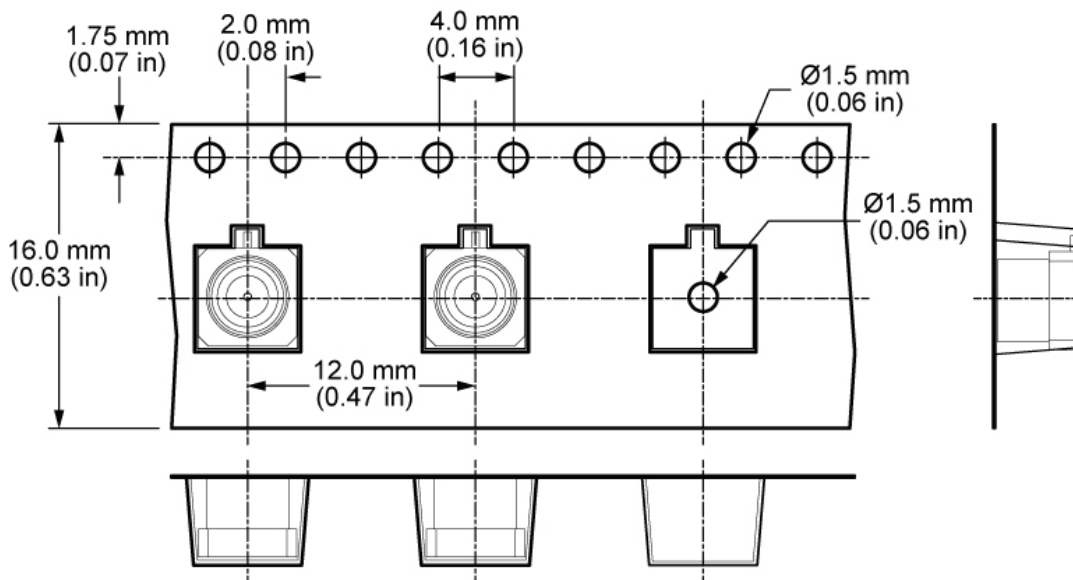
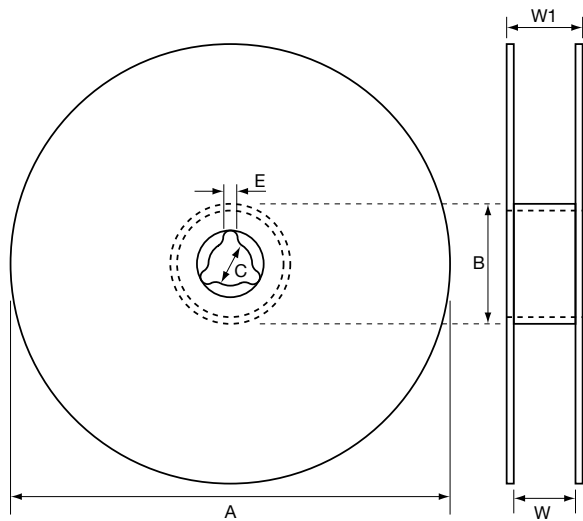


Figure 4. Tape Specifications for the CONSMPO01-SMD-G-T Connector

PACKAGING INFORMATION (CONTINUED)



Reel Dimensions		
Symbol	Qty	Unit
QTY per reel	1,300	pcs
Tape width	16.00	mm
A	$\varnothing 330 \pm 1$	mm
B	$\varnothing 100 \pm 0.5$	mm
C	$\varnothing 13.00 \pm 0.2$	mm
E	2.2 ± 0.5	mm
W	16 ± 0.5	mm
W1	19.4 ± 0.2	mm

Figure 5. Reel Specifications for the CONSMPO01-SMD-G-T Connector

TE TECHNICAL SUPPORT CENTER

USA:	+1 (800) 522-6752
Canada:	+1 (905) 475-6222
Mexico:	+52 (0) 55-1106-0800
Latin/S. America:	+54 (0) 11-4733-2200
Germany:	+49 (0) 6251-133-1999
UK:	+44 (0) 800-267666
France:	+33 (0) 1-3420-8686
Netherlands:	+31 (0) 73-6246-999
China:	+86 (0) 400-820-6015

te.com

TE Connectivity, TE, TE connectivity (logo), Linx and Linx Technologies are trademarks owned or licensed by the TE Connectivity Ltd. family of companies. All other logos, products and/or company names referred to herein might be trademarks of their respective owners.

The information given herein, including drawings, illustrations and schematics which are intended for illustration purposes only, is believed to be reliable. However, TE Connectivity makes no warranties as to its accuracy or completeness and disclaims any liability in connection with its use. TE Connectivity's obligations shall only be as set forth in TE Connectivity's Standard Terms and Conditions of Sale for this product and in no case will TE Connectivity be liable for any incidental, indirect or consequential damages arising out of the sale, resale, use or misuse of the product. Users of TE Connectivity products should make their own evaluation to determine the suitability of each such product for the specific application.

TE Connectivity warrants to the original end user customer of its products that its products are free from defects in material and workmanship. Subject to conditions and limitations TE Connectivity will, at its option, either repair or replace any part of its products that prove defective because of improper workmanship or materials. This limited warranty is in force for the useful lifetime of the original end product into which the TE Connectivity product is installed. Useful lifetime of the original end product may vary but is not warranted to exceed one (1) year from the original date of the end product purchase.

©2022 TE Connectivity. All Rights Reserved.

10/22 Original