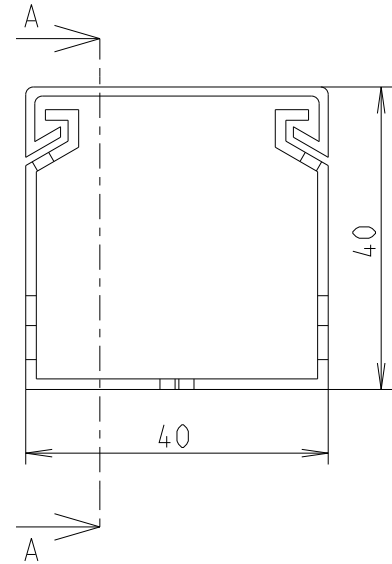
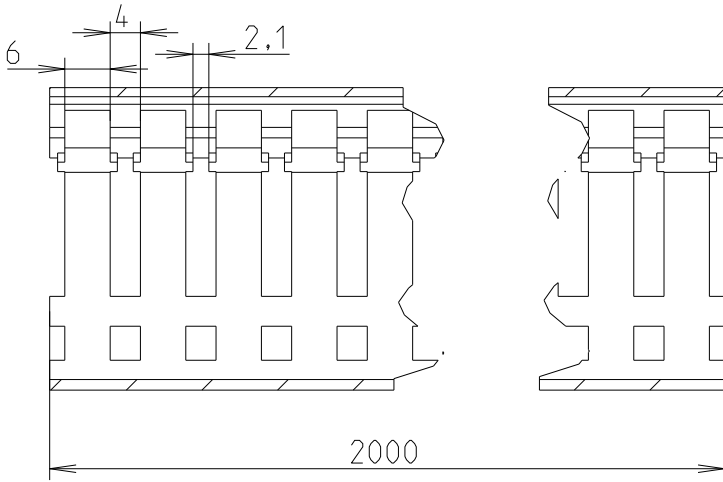
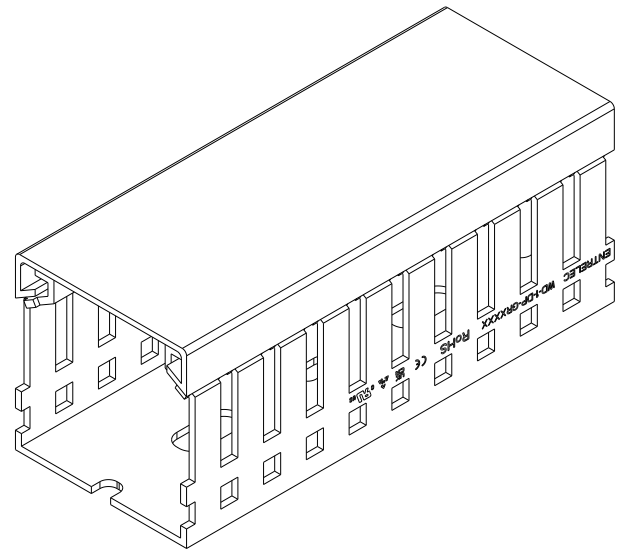
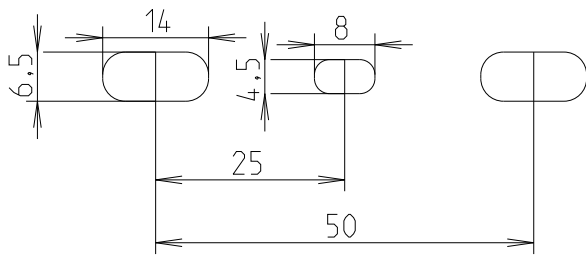


| REVISIONS | | | | | |
|-----------|-----|---------------|-----------|-----|------|
| P | LTR | DESCRIPTION | DATE | DWN | APVD |
| | A | First release | 17JUN2021 | SL | VR |
| | | | | | |
| | | | | | |

SECTION A-A




SCALE 1:1



© 2021 TE Connectivity. All Rights Reserved.

1SET411013R0000

PART NO.

| | | | | | | | |
|---|--|---|--|--|--|--------------------|--|
| DIMENSIONS: mm | | DWN 13-Sep-21 03:44:58 PM Deligny, Charlotte | | MATERIAL PVC | | FINISH - | |
| TOLERANCES UNLESS OTHERWISE SPECIFIED: | | CHK Seguin, Laurene 2021-06-17 | |  TE Connectivity | | | |
| 0 PLC ± | | APVD Villard, Romain 2021-07-05 | | | | | |
| 1 PLC ±1 | | PRODUCT SPEC | | NAME WD-1-DP-GR4040 | | | |
| 2 PLC ±1 | | APPLICATION SPEC | | SIZE A 4 | | CAGE CODE 00779 | |
| 3 PLC ±1 | | WEIGHT | | DRAWING NO C-1SNP300190-0201 | | RESTRICTED TO - | |
| 4 PLC ±1 | | CUSTOMER DRAWING | | SCALE 1:1 | | SHEET 1 OF 1 | |
| ANGLES ± | | | | | | REV A1 | |