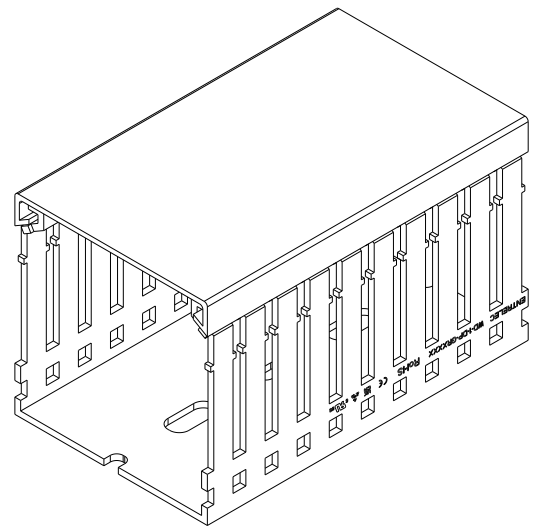
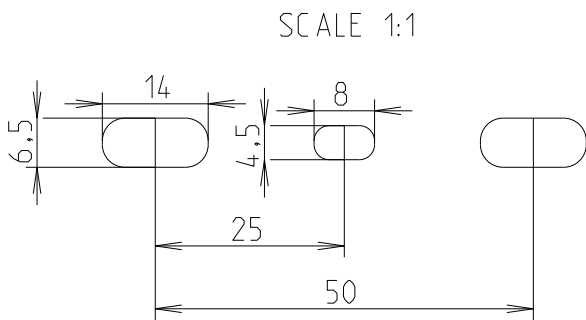
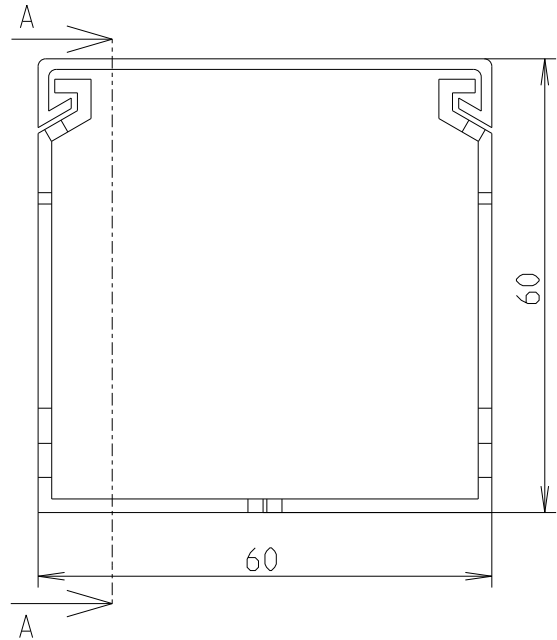
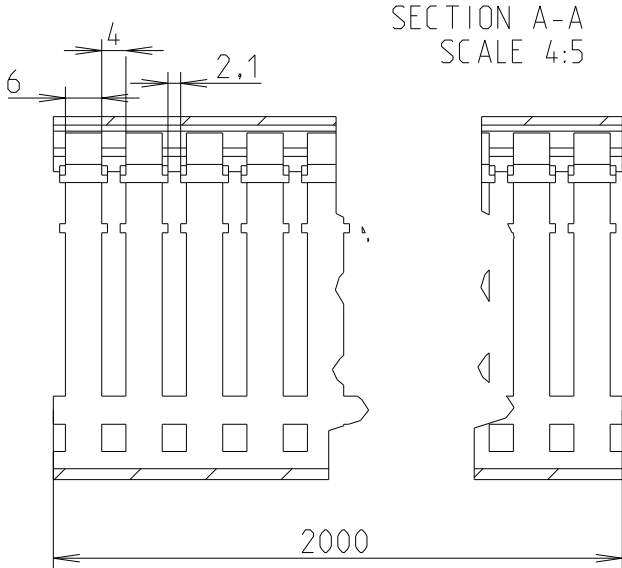


REVISIONS					
P	LTR	DESCRIPTION	DATE	DWN	APVD
	A	First release	17JUN2021	SL	VR



© 2021 TE Connectivity. All Rights Reserved.

1SET411018R0000

PART NO.

DIMENSIONS: mm	DWN 13-Sep-21 09:44:58 AM Deligny, Charlotte	MATERIAL	PVC	FINISH	-		
	CHK Seguin, Laurene 2021-06-17	TE Connectivity					
TOLERANCES UNLESS OTHERWISE SPECIFIED:	APVD Villard, Romain 2021-07-05					NAME	WD-1-DP-GR6060
0 PLC ±	PRODUCT SPEC	-	SIZE	CAGE CODE	DRAWING NO	RESTRICTED TO	
1 PLC ±1	APPLICATION SPEC	-	A 4	00779	©=1SNP300190-0302	-	
2 PLC ±1	WEIGHT	-	CUSTOMER DRAWING			SCALE	1:1
3 PLC ±1			SCALE			SHEET	1 OF 1
4 PLC ±1			SCALE			REV	A1
ANGLES ±			SCALE				