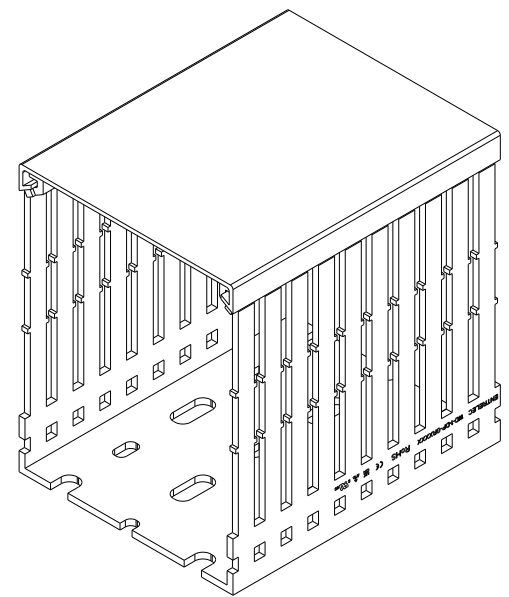
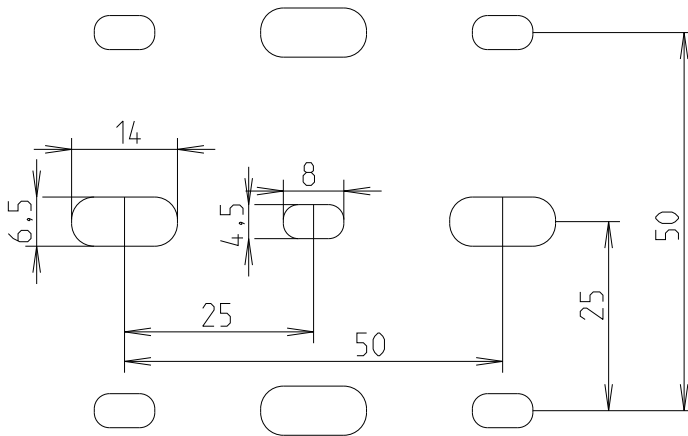
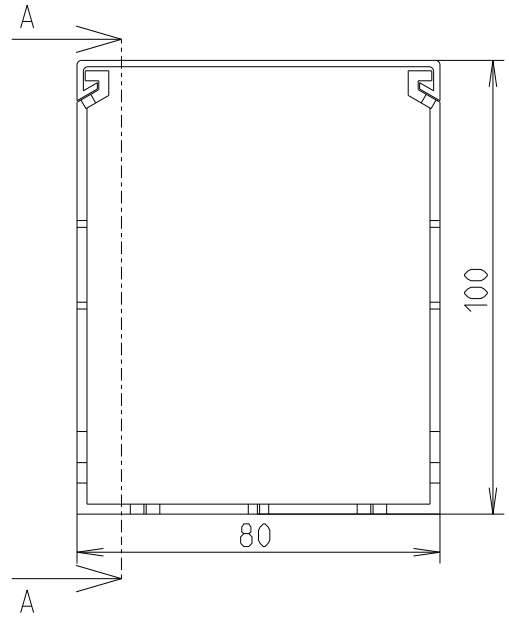
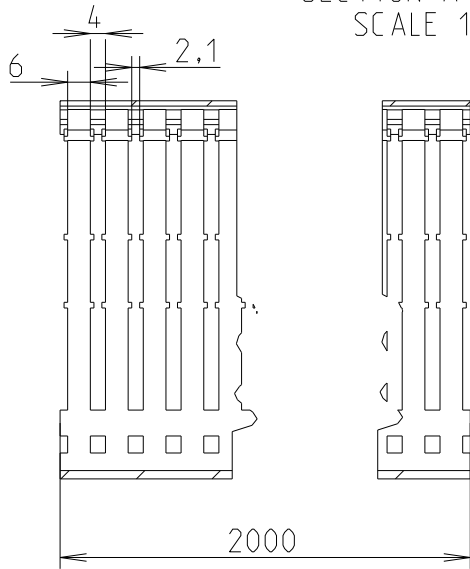


REVISIONS

P	LTR	DESCRIPTION	DATE	DWN	APVD
	A	First release	17JUN2021	SL	VR

SECTION A-A  
SCALE 1:2



© 2021 TE Connectivity. All Rights Reserved.

1SET411020R0000

PART NO.

DIMENSIONS: mm		DWN 13-Sep-21 09:44:58 AM Deligny, Charlotte		MATERIAL PVC		FINISH -					
TOLERANCES UNLESS OTHERWISE SPECIFIED:		CHK Seguin, Laurene 2021-06-17									
0 PLC ±		APVD Villard, Romain 2021-07-05									
1 PLC ±1		PRODUCT SPEC		NAME WD-1-DP-GR8010							
2 PLC ±1		APPLICATION SPEC		SIZE A 4		CAGE CODE 00779		DRAWING NO C=1SNP300190-0400		RESTRICTED TO -	
3 PLC ±1		WEIGHT		CUSTOMER DRAWING		SCALE 1:1		SHEET 1 OF 1		REV A1	
4 PLC ±1											
ANGLES ±											