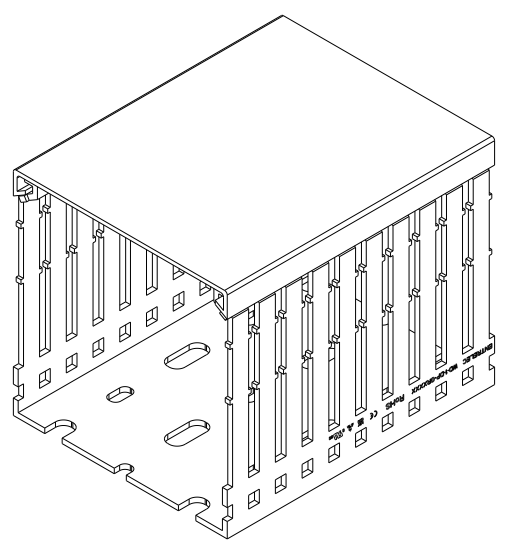
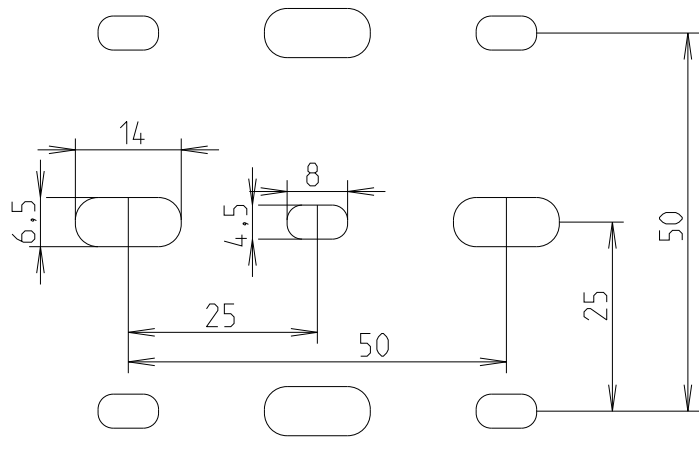
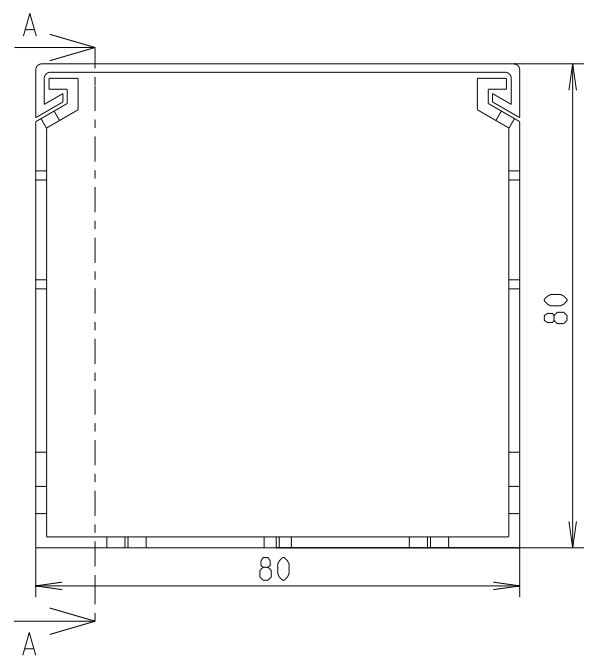
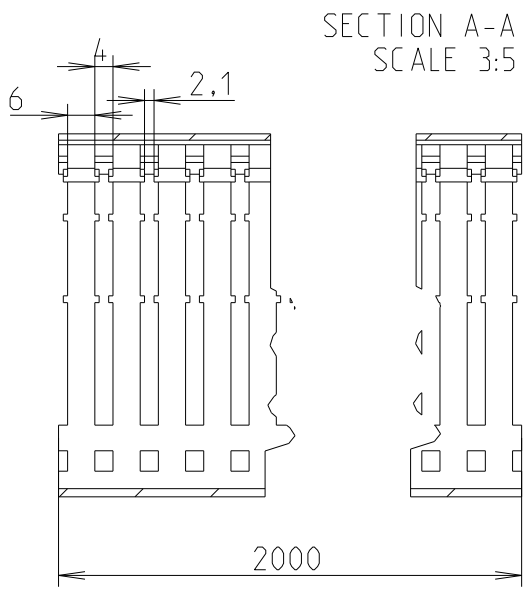


REVISIONS					
P	LTR	DESCRIPTION	DATE	DWN	APVD
	A	First release	17JUN2021	SL	VR



© 2021 TE Connectivity. All Rights Reserved.

1SET411023R0000
PART NO.

DIMENSIONS: mm	DWN 13-Sep-21 03:44:58 PM Deligny, Charlotte	MATERIAL	PVC	FINISH	-
	CHK Seguin, Laurene 2021-06-17	TE TE Connectivity			
TOLERANCES UNLESS OTHERWISE SPECIFIED:	APVD Villard, Romain 2021-07-05				
0 PLC ±	PRODUCT SPEC	-	-	RESTRICTED TO	-
1 PLC ±1	APPLICATION SPEC	-	-	-	-
2 PLC ±1	WEIGHT	-	-	-	-
3 PLC ±1	CUSTOMER DRAWING	SIZE	A 4	CAGE CODE	00779
4 PLC ±1		DRAWING NO	C=1SNP300190-0403		
ANGLES ±		SCALE	1:1	SHEET	1 OF 1
		REV	A1		