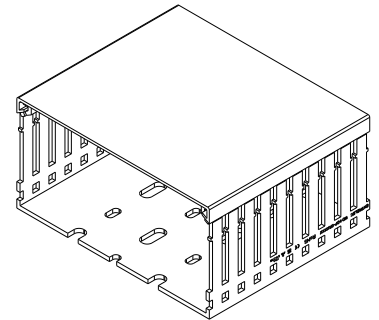
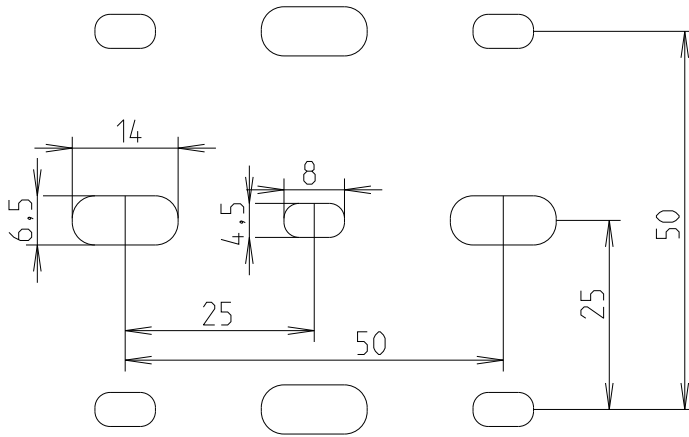
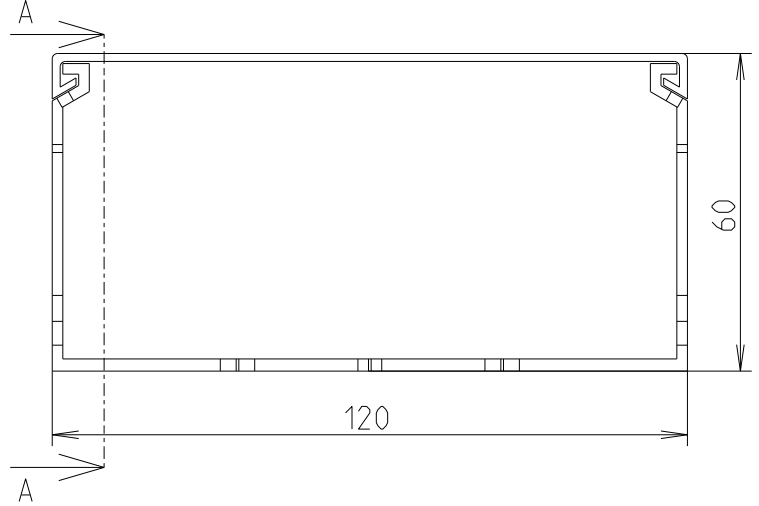
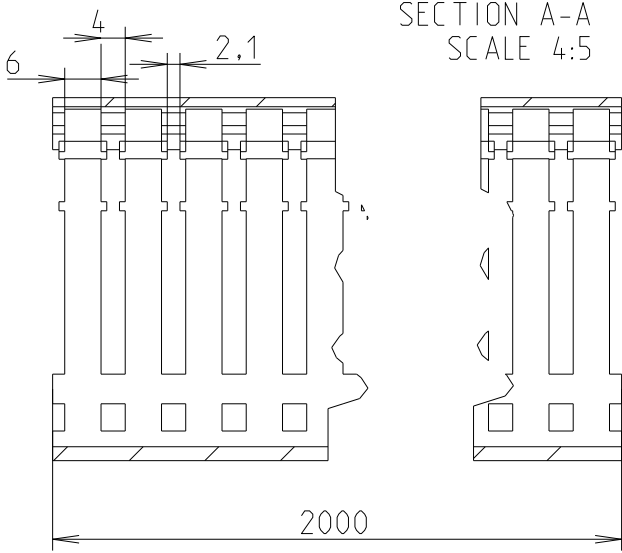


REVISIONS					
P	LTR	DESCRIPTION	DATE	DWN	APVD
	A	First release	17JUN2021	SL	VR



© 2021 TE Connectivity. All Rights Reserved.

1SET411005R0000
PART NO.

DIMENSIONS: mm	DWN 13-Sep-21 03:44:58 PM Deligny, Charlotte	MATERIAL	PVC	FINISH	-		
	CHK 2021-06-17 Seguin, Laurene						
TOLERANCES UNLESS OTHERWISE SPECIFIED:	APVD 2021-07-05 Villard, Romain					NAME	WD-1-DP-GR1206
0 PLC ±	PRODUCT SPEC	-	SIZE	CAGE CODE	DRAWING NO	RESTRICTED TO	
1 PLC ±1	APPLICATION SPEC	-	A 4	00779	©=1SNP300190-0601	-	
2 PLC ±1	WEIGHT	-	CUSTOMER DRAWING			SCALE	1:1
3 PLC ±1						SHEET	1 OF 1
4 PLC ±1						REV	A1
ANGLES ±							