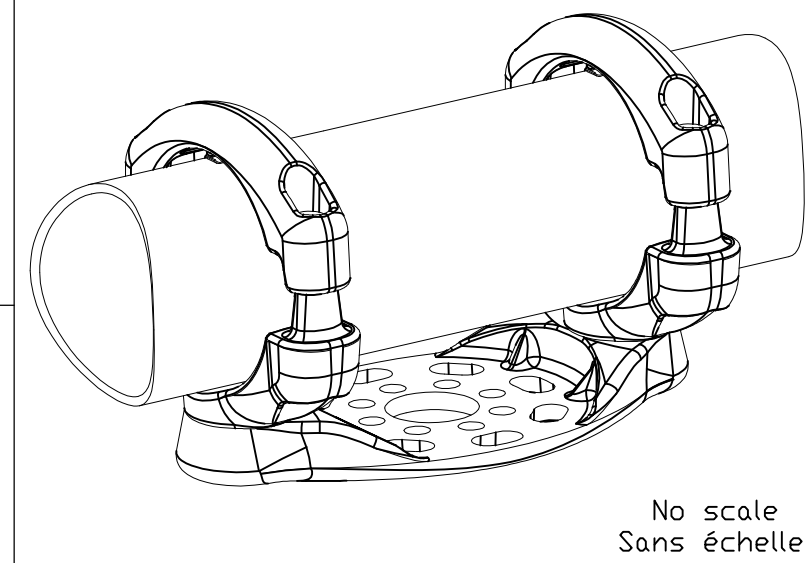
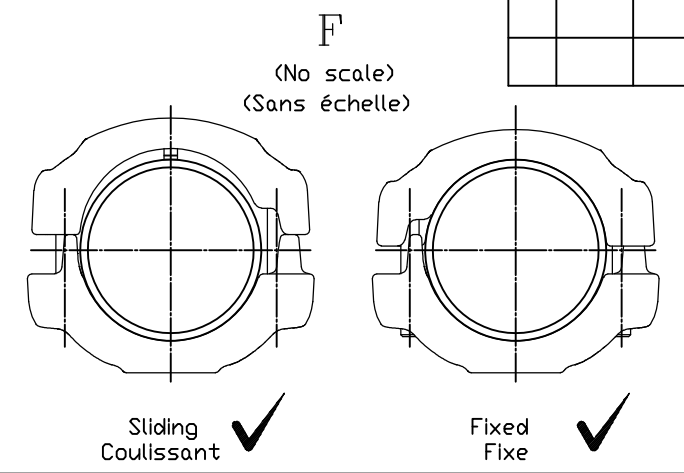
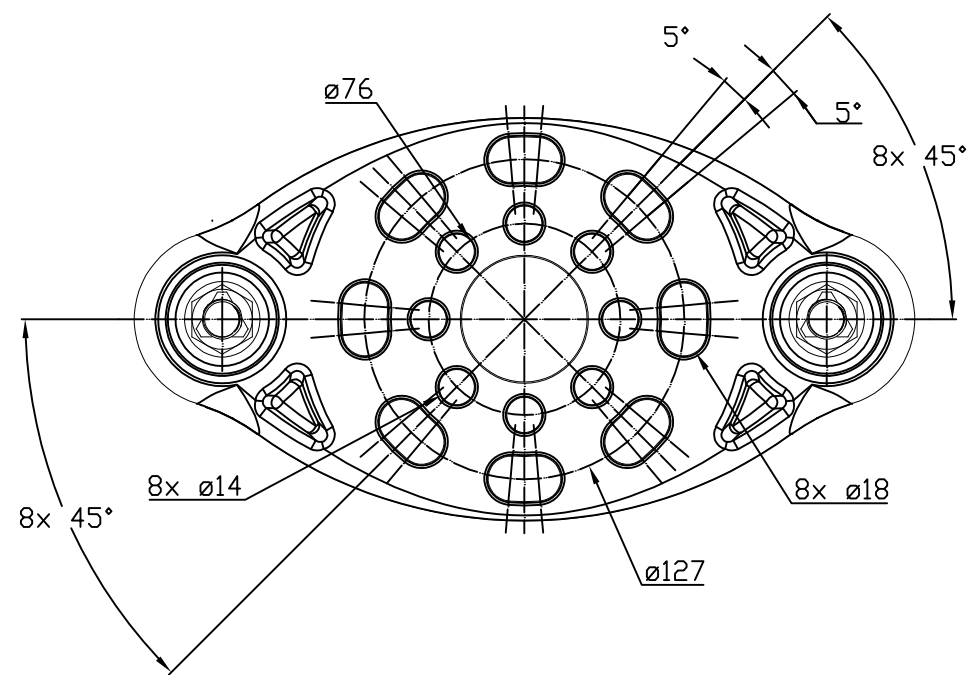


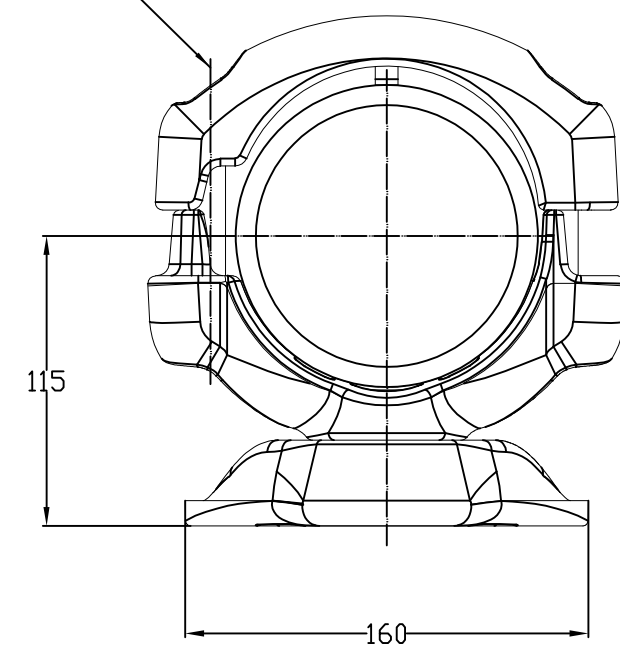
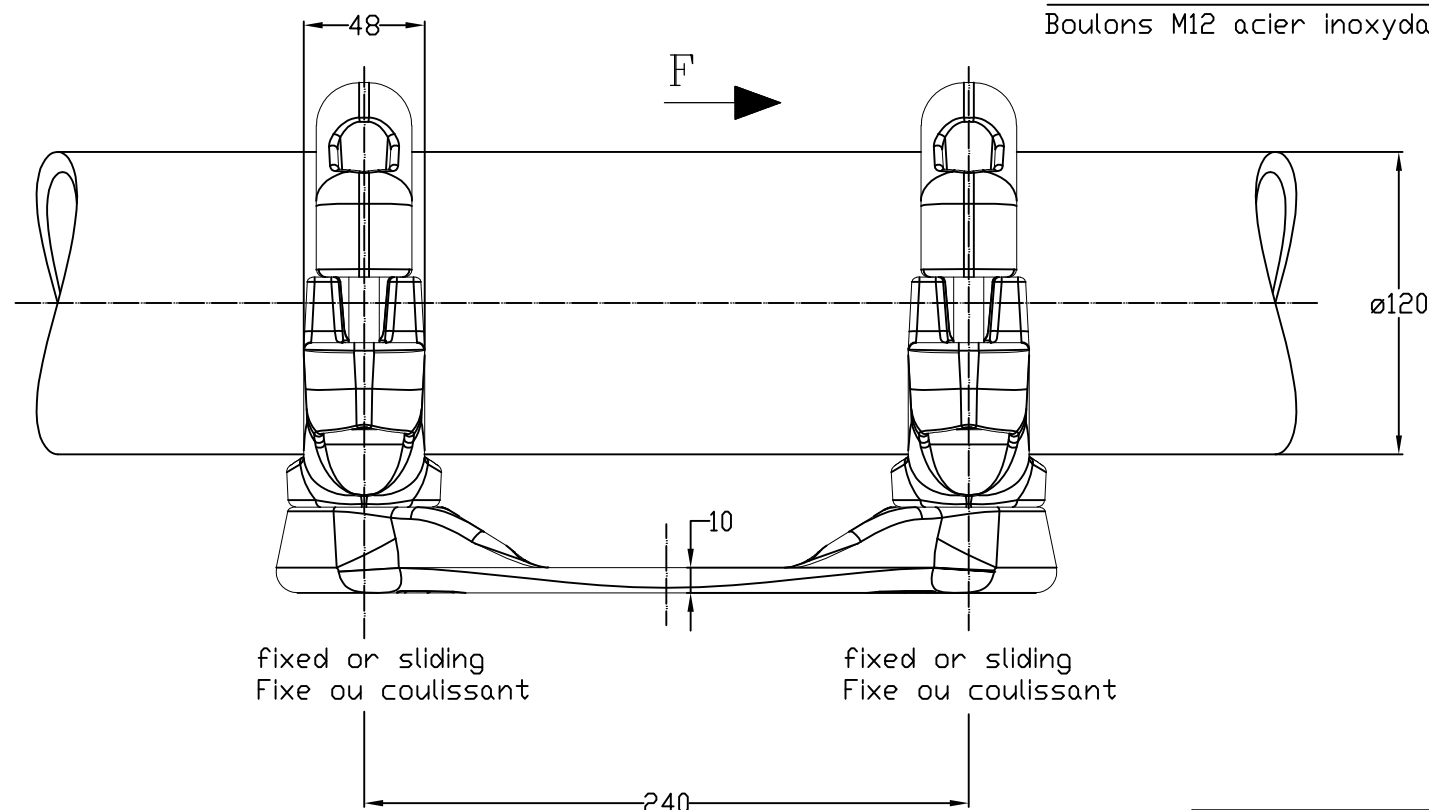
THIS DRAWING IS UNPUBLISHED.
 DIFFUSION RESTREINTE
 © COPYRIGHT 2011 by Tyco Electronics Corporation
 ALL RIGHTS RESERVED.
 TOUS DROITS RESERVES

RELEASED FOR PUBLICATION
 LIBRE A LA DIFFUSION
 2011

LOC	DIST	REVISIONS			
P	LTR REV	DESCRIPTION MODIFICATIONS	DATE	DWN DESS	APVD APPR
-	-	A	CREATION	01-Mar-16	PG -



M12 Stainless steel bolts A4 : 60Nm
 Boulons M12 acier inoxydable A4 : 60Nm



ITEM:

THIS DRAWING IS A CONTROLLED DOCUMENT. <small>CE PLAN EST UN DOCUMENT CONTROLÉ PAR TYCO ELECTRONICS CORPORATION IL EST SUSCEPTIBLE D'ÊTRE REVISÉ. POUR OBTENIR LA DERNIÈRE RÉVISION, CONTACTER LE SERVICE TECHNIQUE DE TYCO ELECTRONICS SIMEL SAS, 21220 GEVREY-CHAMBERTIN, FRANCE.</small>		DWN /DESSINE GARNIER P.	01-Mar-16	TE connectivity SIMEL PRODUCTS	
DIMENSIONS: mm		CHK/VERIFIE -	APVD/APPROUVE -		
TOLERANCES UNLESS OTHERWISE SPECIFIED PER TOLERANCES NON SPECIFIEES SELON : -		PRODUCT SPEC 108-69094-001	APPLICATION SPEC	BUSBAR DOUBLE SUPPORT ON BPI DOUBLE SUPPORT TUBE SUR ISO 5 TSD 84 P3-P5 T120	
MATERIAL MATIERE	FINISH FINITION	APPROX. WEIGHT MASSE APPROX.	3.7 kg	SIZE FORMAT	A3
CUSTOMER DRAWING /PLAN CLIENT		UNIQUEMENT POUR REFERENCE	SCALE ECHELLE	1/3	SHEET FEUILLE
				1	OF DE
				1	REV A