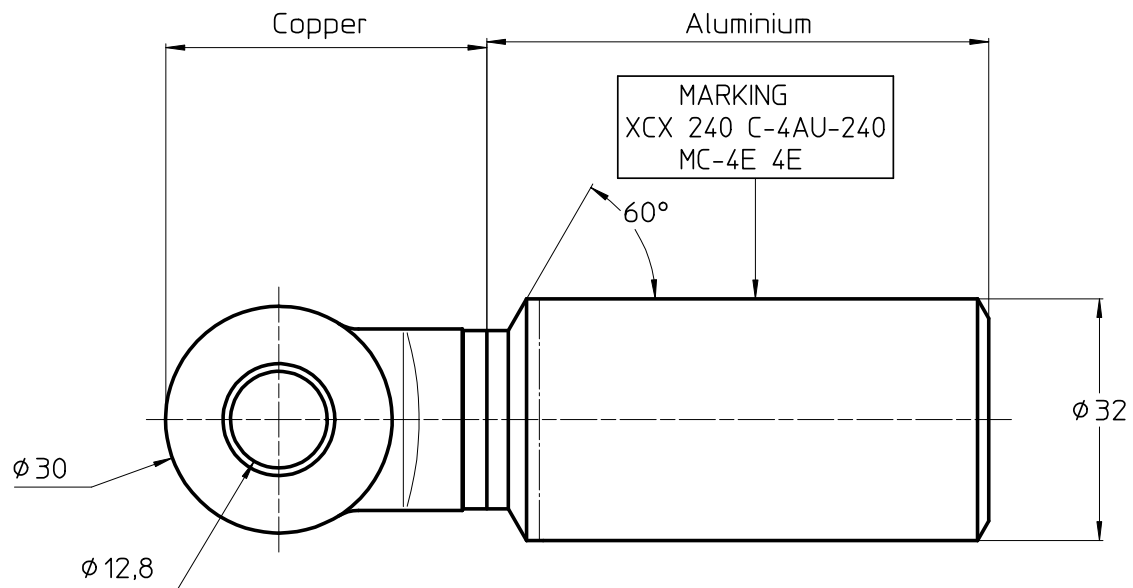
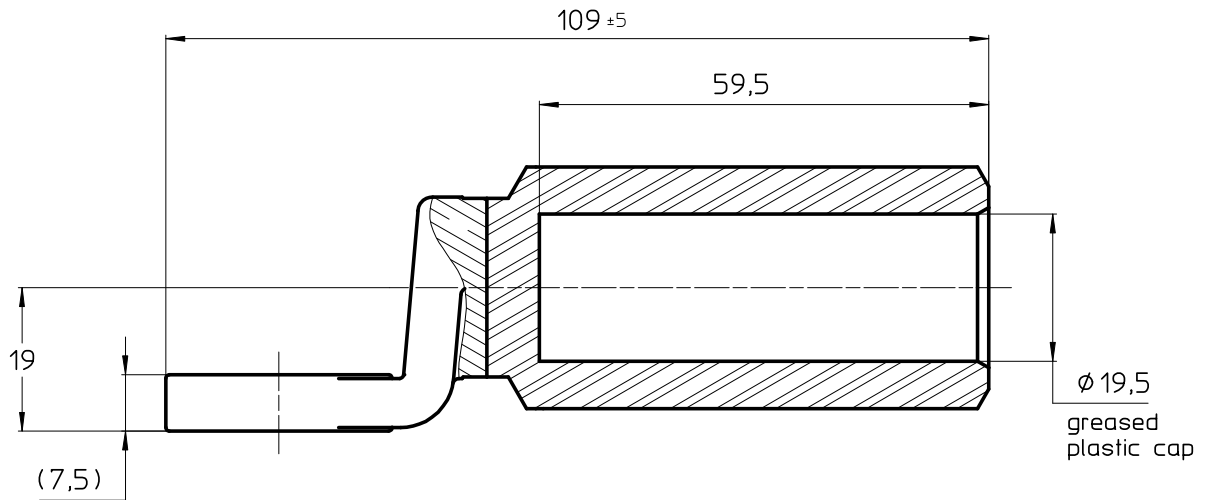


LOC	DIST	REVISIONS			
P	LTR REV	DESCRIPTION MODIFICATIONS	DATE	DWN DESS.	APVD APPR
FH	00	A	creation plan com	20July2010	CA GN



XCX 240-C4AU 240	739007-1
DESCRIPTION	Part Number

DIMENSIONS: mm	DWN /DESSINE ANDRE	MATERIAL MATIERE	FINISH FINITION		
	CHK /VERIFIE DEREY				
TOLERANCES UNLESS OTHERWISE SPECIFIED PER TOLERANCES NON SPECIFIEES SELON :	APVD /APPROUVE NEDELLEC				
	PRODUCT SPEC SPEC. PRODUIT				
	APPLICATION SPEC SPEC. APPLICATION	NAME TITRE	XCX 240-C4AU 240		
	APPROX. WEIGHT MASSE APPROX.	SIZE FORMAT	CAGE CODE	DRAWING NO No PLAN	RESTRICTED TO RESERVE A
CUSTOMER DWG / PLAN CLIENT		UNIQUEMENT POUR REFERENCE	SCALE ECHELLE 1:1	SHEET FEUILLE 1 OF 1	REV A