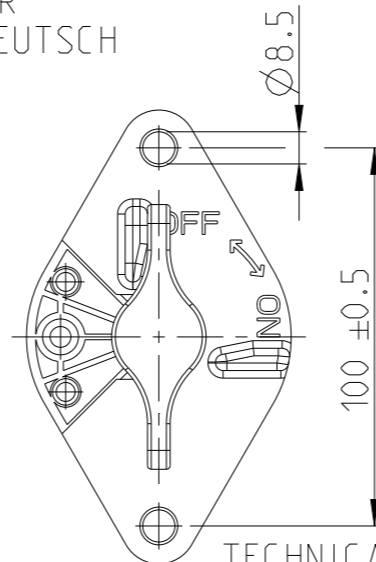
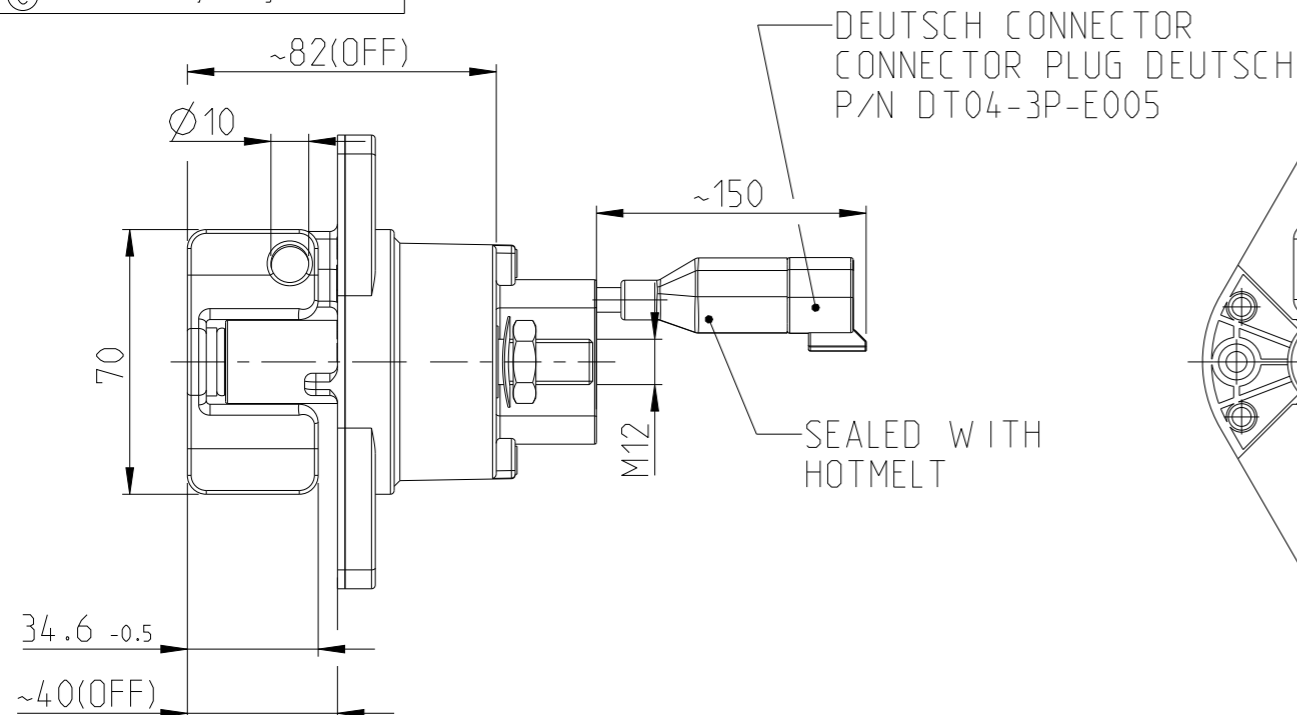


© 2021 TE Connectivity. All Rights Reserved.

REVISIONS

| P | LTR | DESCRIPTION | DATE | DWN | APVD |
|---|-----|-------------|------|-----|------|
| | | | | | |



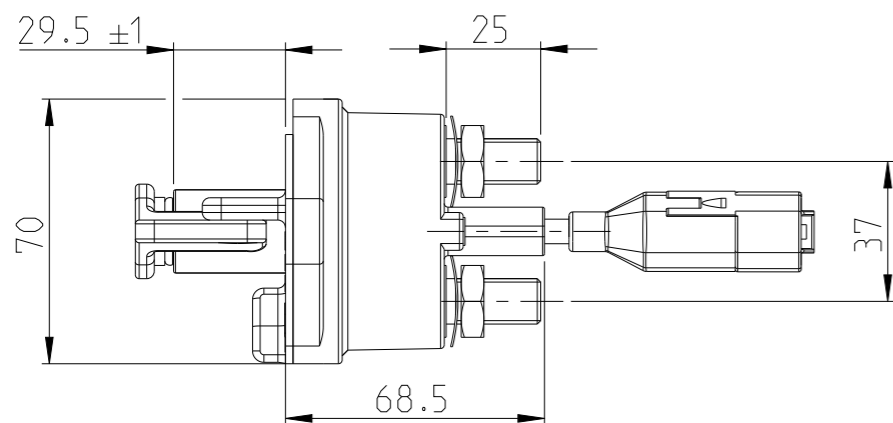
TECHNICAL DATA:

| | |
|----------------------------------------------|----------------------------------------------|
| CASE MATERIAL COVER..... | VYNCOLIT BLACK |
| BASE PLATE..... | PA GF BLACK |
| SWITCH LEVER MATERIAL..... | PA GF RED |
| KEY PLATE MATERIAL..... | PA GF RED |
| MIN. INSULATION RESISTANCE..... | 100MΩ |
| DIELECTRIC WITHSTANDING VOLTAGE..... | 1050V-1min. |
| MAX. CONTACT DROP DURING RESISTIVE LOAD..... | 150mV |
| VOLTAGE..... | UP TO 32VDC |
| DUTY RATING..... | 500A |
| OVERLOAD..... | 1500A-4min. 2000A-1.5min. 2500A-10sec. |

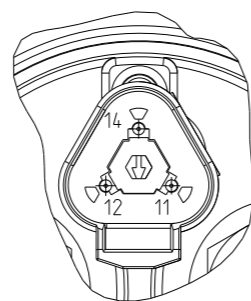
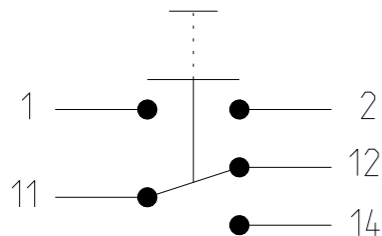
AUXILIARY CONTACT:

| | |
|-------------------------|------------------------------------|
| CONTINUOUS CURRENT..... | 10A |
| MAKE AND BRAKE..... | 24V L/R 5ms 10A 24V L/R 20ms 6A |
| SEALING..... | IP 67 / IEC 529 |
| VIBRATION..... | 4G / 50-2000Hz |
| SHOCK..... | 6G / 11ms |
| WEIGHT..... | 340g |
| TEMPERATURE RANGE..... | -40°C TO +85°C |

| | |
|----------------------------------------------------|-------------------------------------------------------------------------------|
| WIRE SECTION (AT NOMINAL LOAD MAIN TERMINALS)..... | MIN. 250mm ² |
| SWITCH LEVER..... | NOT REMOVEABLE LOCKABLE IN "OFF" POSITION NOT LOCKABLE IN "ON" POSITION |
| MAX. TORQUE (MAIN TERMINALS)..... | 18-22Nm |



CIRCUIT



ISO 1:1

| | | | | | |
|----------------------------------------|--|-----------------------------------------------------------|------------|---------------------------------------------|--|
| THIS DRAWING IS A CONTROLLED DOCUMENT. | | DWN Manohar | 13.09.2021 | TE Connectivity | |
| | | CHK Fritza | 14.09.2021 | | |
| DIMENSIONS: mm | | TOLERANCES UNLESS OTHERWISE SPECIFIED: DIN ISO 2768 cL | | NAME BATTERY DISCONNECTOR 500A WITH AUX. | |
| | | 0 PLC ± | | APVD - | |
| | | 1 PLC ± | | PRODUCT SPEC - | |
| | | 2 PLC ± | | APPLICATION SPEC - | |
| | | 3 PLC ± | | SIZE A3 | |
| MATERIAL | | 4 PLC ± | | CAGE CODE 00779 | |
| | | ANGLES ± | | DRAWING NO C=35-514-231-R-A5-900 | |
| | | FINISH - | | RESTRICTED TO - | |
| | | WEIGHT - | | SCALE 1:2 | |
| CUSTOMER DRAWING | | | | SHEET 1 OF 1 | |
| | | | | REV A | |