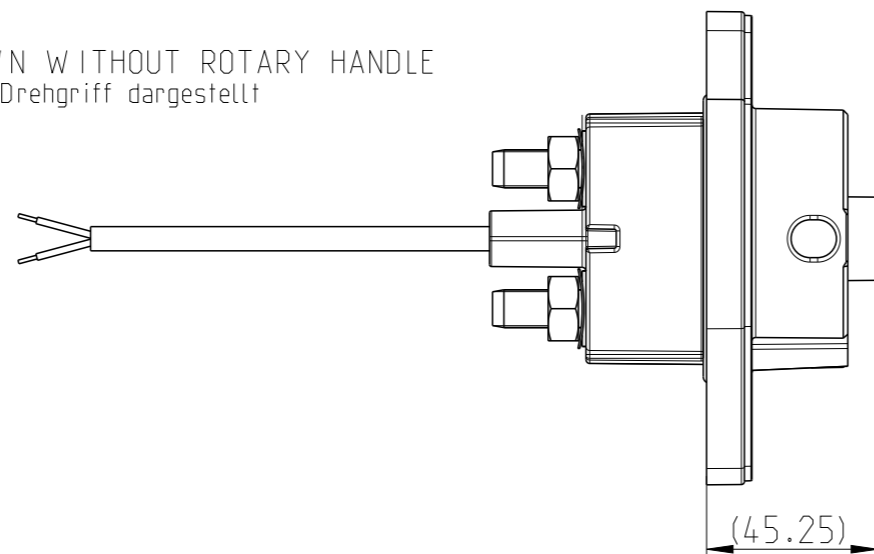


VIEW SHOWN WITHOUT ROTARY HANDLE
Ansicht ohne Drehgriff dargestellt

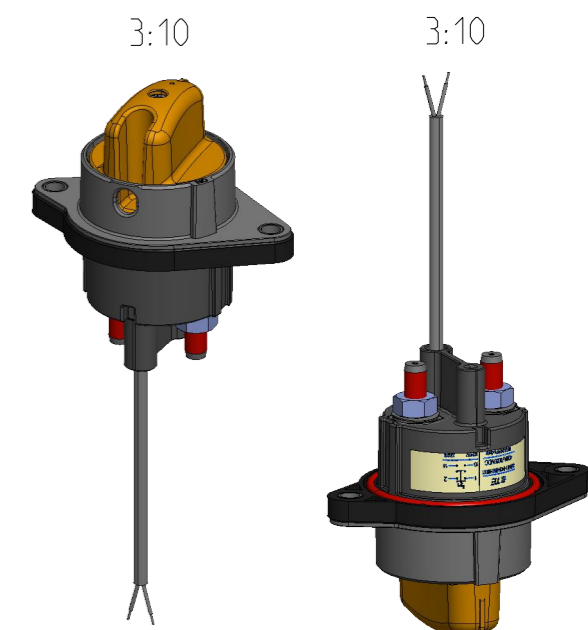
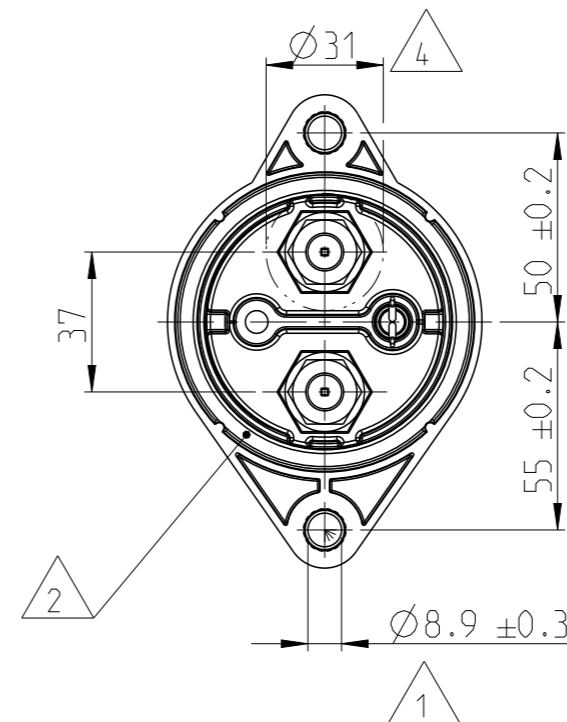
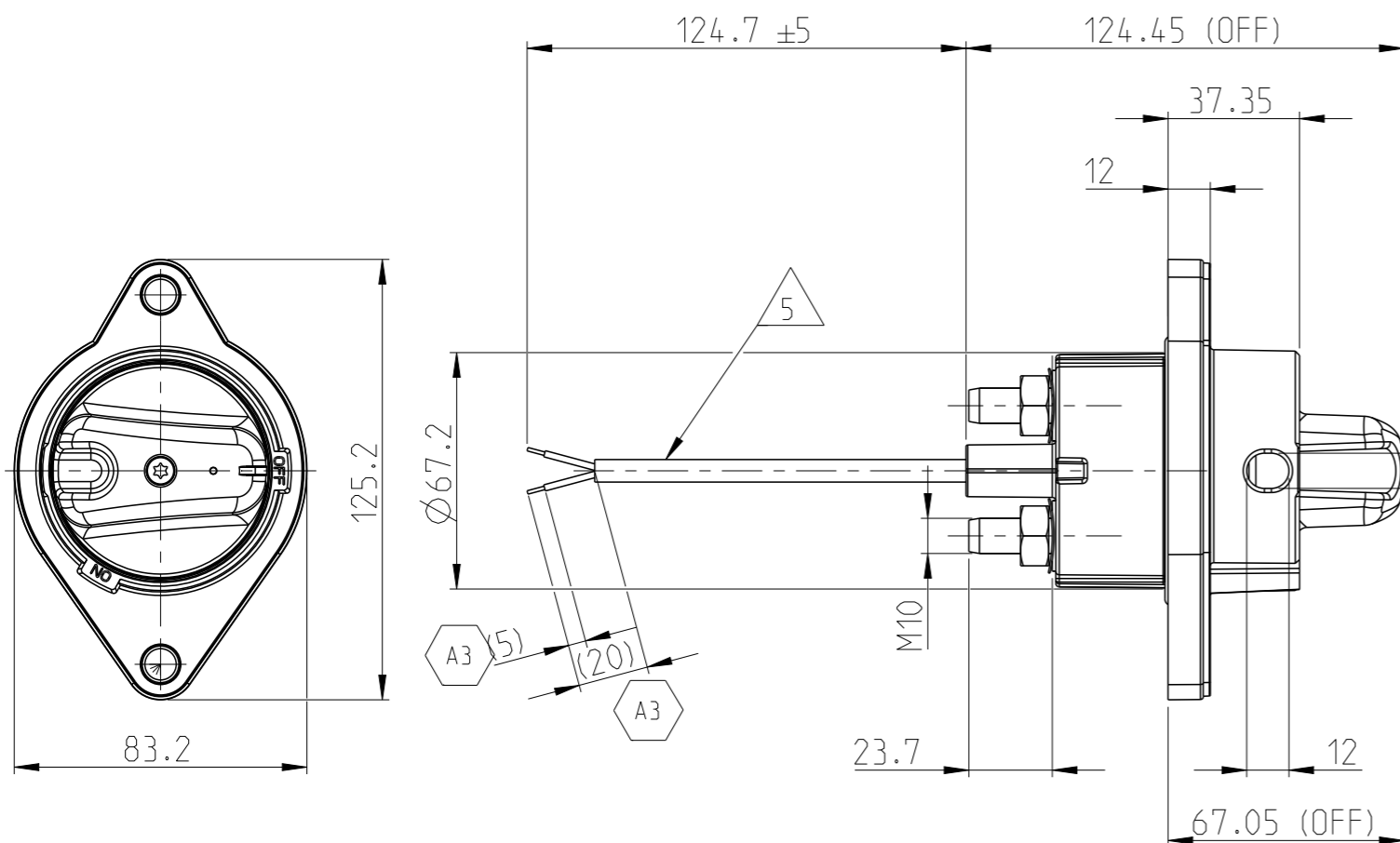


REVISIONS

P	LTR	DESCRIPTION	DATE	DWN	APVD
	A	NEW DRAWING	23MAY2022	AF	JH
	A1	ECN-23-218637	23JUN2023	AF	JH
	A2	ECN-23-229558	30AUG2023	AF	JH
	A3	ECN-23-235704	18OCT2023	AF	JH

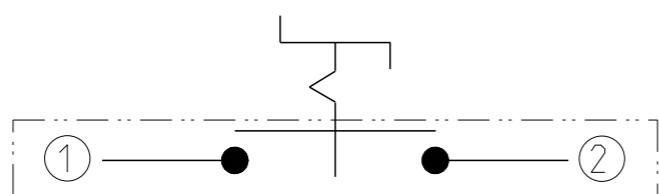
NOTES
Bemerkungen

- 1 TE-CONNECTIVITY ORDER-NUMBER
TE-Connectivity Bestellnummer
- 2 CHECK THE FIT OF THE O-RING BEFORE ASSEMBLY
Vor der Montage die korrekte Position des O-Rings kontrollieren
- 3 DO NOT SWITCH UNDER LOAD!
Nicht unter Last schalten!
- 4 MAXIMUM SPACE FOR THE CABLE LUG
Maximaler Freiraum für den Kabelschuh
- A3 5 HELUKABEL SiHF 2x0,75mm². OUTER DIAMETER 6,4mm. ART. NR. 23001
Helukabel SiHF 2x0,75mm². Außendurchmesser 6,4mm. Art. Nr. 23001

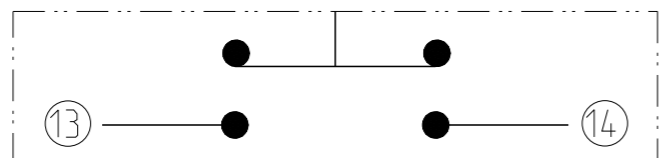


CIRCUIT

MAIN CONTACTS



AUXILIARY CONTACTS



HVIL

THIS DRAWING IS A CONTROLLED DOCUMENT.

DIMENSIONS:	TOLERANCES UNLESS OTHERWISE SPECIFIED:
mm	DIN ISO 2768 cL
	0 PLC ±
	1 PLC ±
	2 PLC ±
	3 PLC ±
	4 PLC ±
	ANGLES ±
MATERIAL	FINISH

DWN	A. FRITZ	26APR2022
CHK	A. O. WALZ	04NOV2022
APVD	J. HOFFMANN	10NOV2022
PRODUCT SPEC	108-94883	
APPLICATION SPEC	114-94778	
WEIGHT		
CUSTOMER DRAWING		

K5000037		A	1	BATTERY DISCONNECTOR HV	427	1
TE ORDER-NO.	REV.	QTY.	DESCRIPTION		WEIGHT [g]	ITEM NO
TE TE Connectivity						
NAME HIGH VOLTAGE BATTERY DISCONNECTOR Hochvolt Batterietrennschalter						
SIZE	CAGE CODE	DRAWING NO		RESTRICTED TO		
A3	00779	35H-411-0100-OR2100001		-		
SCALE				1:2	SHEET	1 OF 1
				REV	A3	