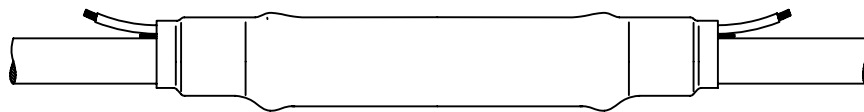
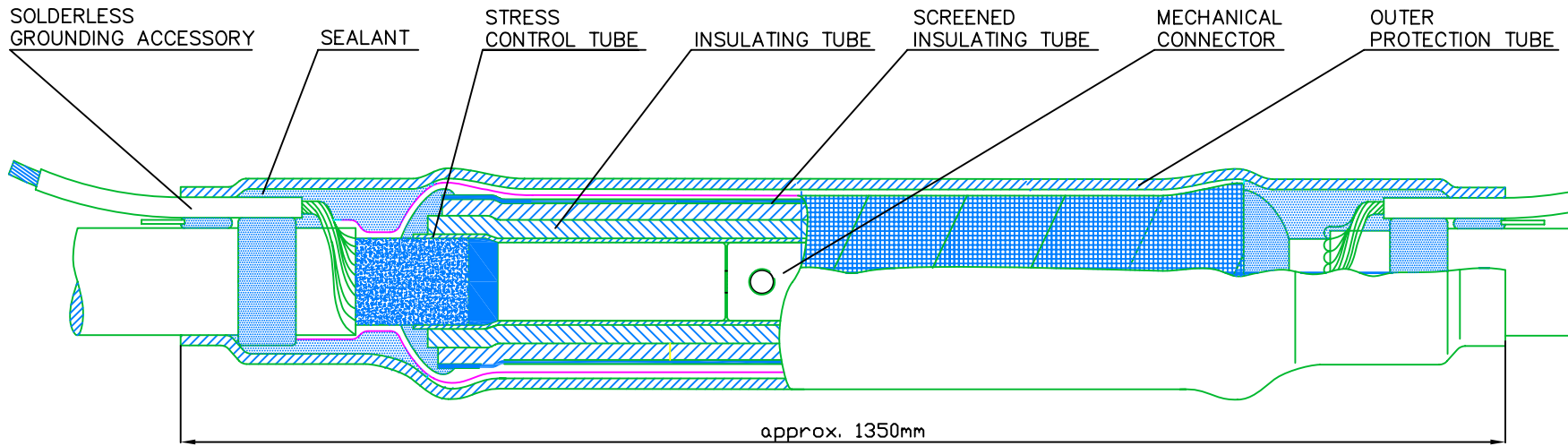


THIS INFORMATION IS CONFIDENTIAL AND PROPRIETARY TO TYCO ELECTRONICS CORPORATION AND ITS WORLDWIDE SUBSIDIARIES AND AFFILIATES. IT MAY NOT BE DISCLOSED TO ANYONE OTHER THAN TYCO ELECTRONICS PERSONNEL, WITHOUT WRITTEN AUTHORIZATION FROM TYCO ELECTRONICS CORPORATION.



### Technical Data

Highest Voltage Um	kV	52
Lightning Impulse Voltage	kV	250
Length (approx.)	mm	1350
Kit Weight (approx.)	kg	10.5
Max. Conductor Size Cu/Al (approx.)	mm <sup>2</sup>	1200
Outer Diameter Cable Insulation	mm	≤86
Outer Diameter Cable Oversheath	mm	≤100

SHIELD BREAK JOINT  
52 kV  
HEAT SHRINKABLE  
FOR XLPE – CABLE

EHVS-52H-S  
Offer drawing

 **Tyco Electronics**

TYCO ELECTRONICS RAYCHEM GMBH  
OTTOBRUNN GERMANY

TYCO DRAWING NO.:  
EPD-204-714-A4-B

SHEET 1 of 1 REV B