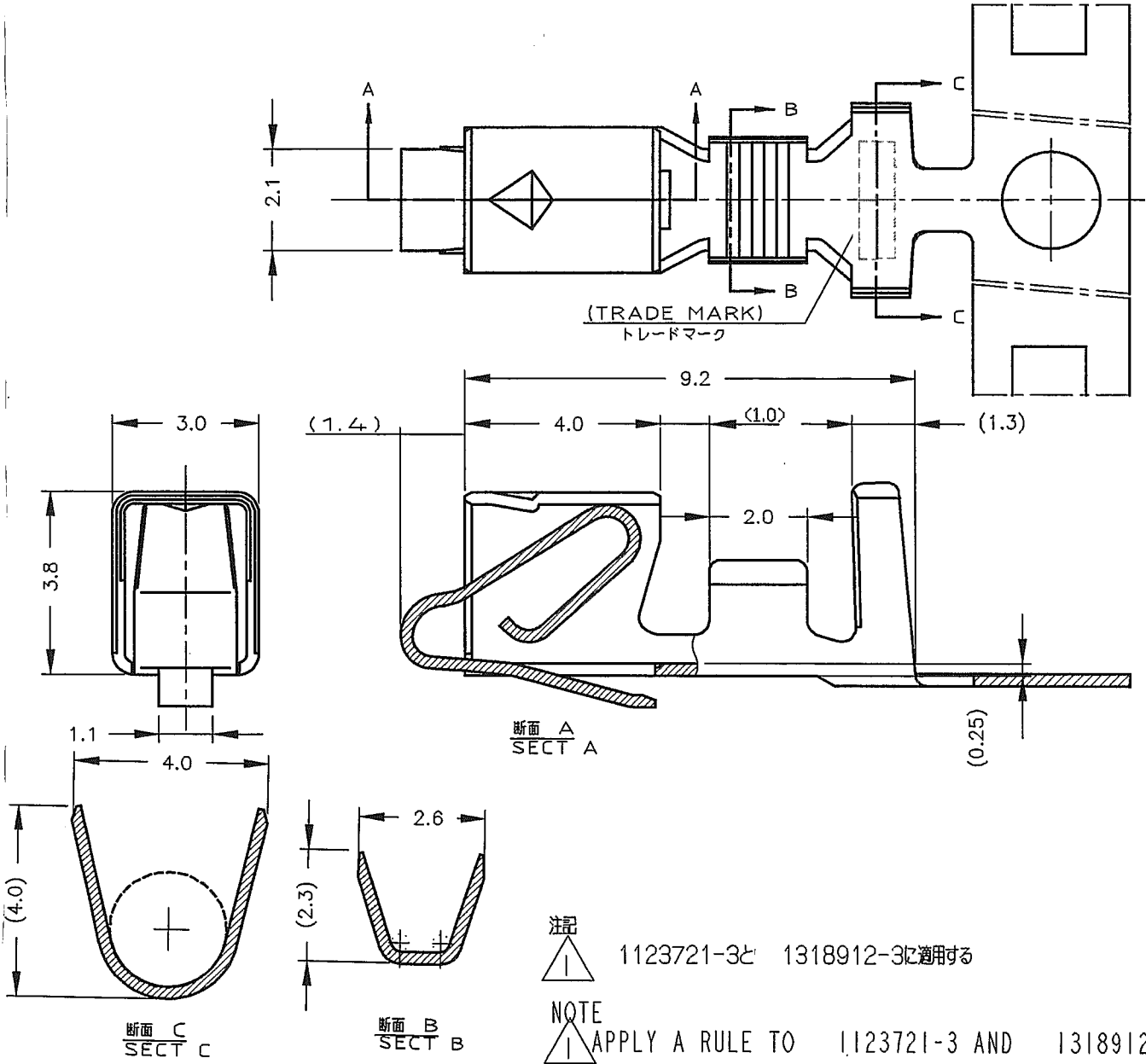


LOC J	DIST -	REVISIONS			
P	LTR	DESCRIPTION	DATE	DWN	APVD
	A	RELEASED	2JUN2009	T.S	T.K

-3:本図  
-3:AS SHOWN



1473063-1, 1473063-2 1473393-1, 1473393-2	1318912-3	PHOS-PHO BRONS (Au PL. CONT.) リン青銅(コンタクト部金メッキ)	1123721-3
適合ハウジング キット SUITED HOUSING KIT	バラ端子型番 LOOSE PIECE CONT. P/N	材料 MATERIAL	型番 PART NUMBER

THIS DRAWING IS UNPUBLISHED. 2003 RELEASED FOR PUBLICATION

COPYRIGHT 2003 BY TYCO ELECTRONICS CORPORATION. ALL RIGHTS RESERVED.

DIMENSIONS: mm	DWN T.SAMI 2JUN2009
TOLERANCES UNLESS OTHERWISE SPECIFIED: 一般公差 5μ : ±0.3 >5 : ±0.4	CHK N.YAMASAKI 2JUN2009
	APVD T.KIMURA 2JUN2009
	PRODUCT SPEC 108-5743 △
	APPLICATION SPEC 114-5303 △
	WEIGHT -

WIRE RANGE 絶縁電線断面積 0.53-1.37mm <sup>2</sup> (AWG#20-16) △		INSULATION DIA 被覆外径 φ1.8-2.8mm △	
MATERIAL SEE TABLE		FINISH -	
Tyco Electronics Corporation Kawasaki, Japan			
NAME ECONOMY POWER(EP) CONN. REC. CONT. エコノミーパワー(EP) コネクタ リセコンタクト			
SIZE A4	CAGE CODE 00779	DRAWING NO C= 1123721-3	RESTRICTED TO -
CUSTOMER DRAWING		SCALE -	SHEET 1 OF 1
			REV A