

REV	DATE	DESCRIPTION	BY	CHK	APPV
B6	13FEB2020	OBSOLETE -3,-6	DM	HK	
B7	09MAR2020	ADD 1-1318745-2	DM	HK	
B8	08SEP2021	REVISIED ECR-21-112849	TH	RK	
B9	20SEP2023	REVISIED ECR-23-185274	AG	RK	

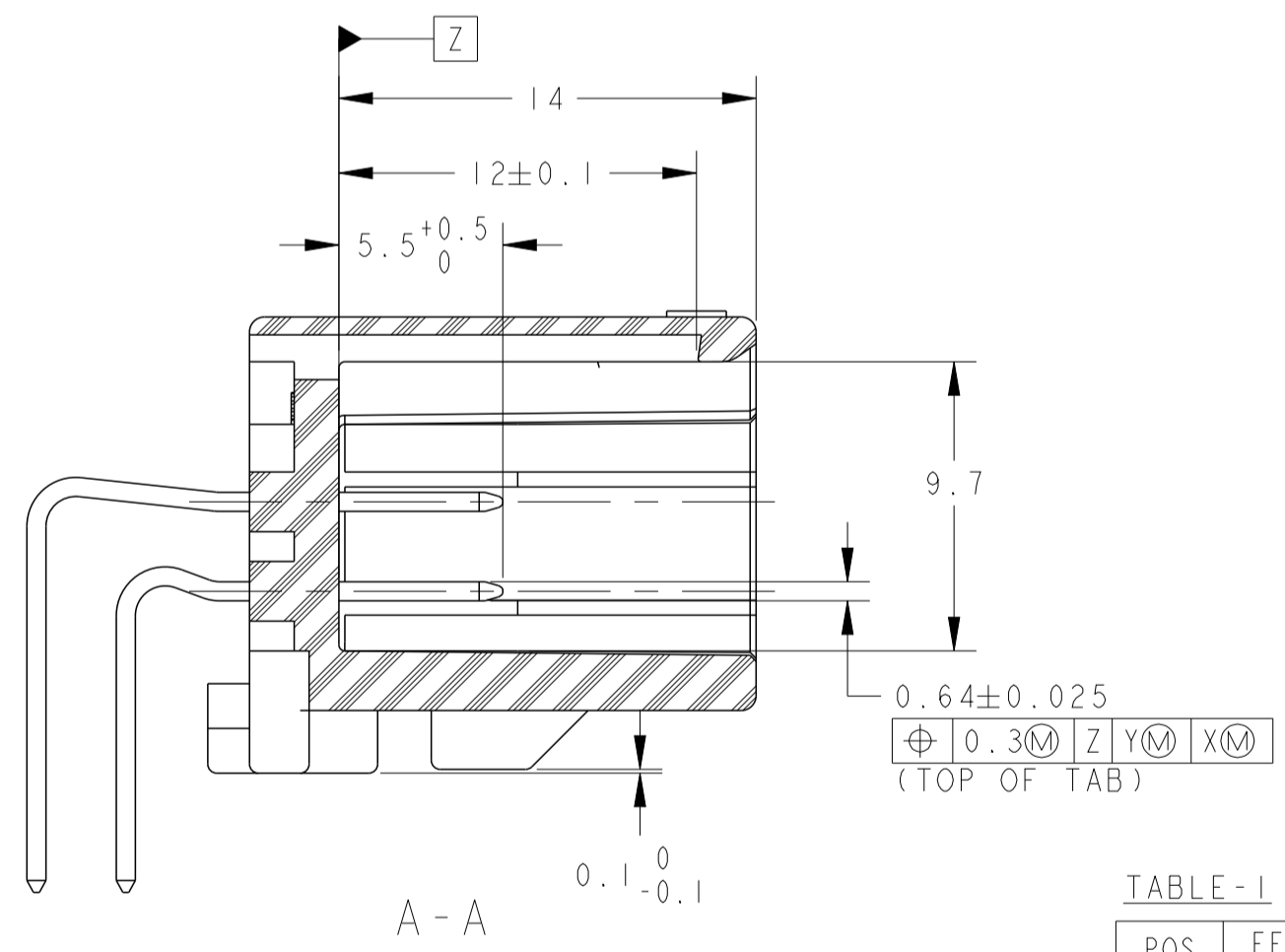
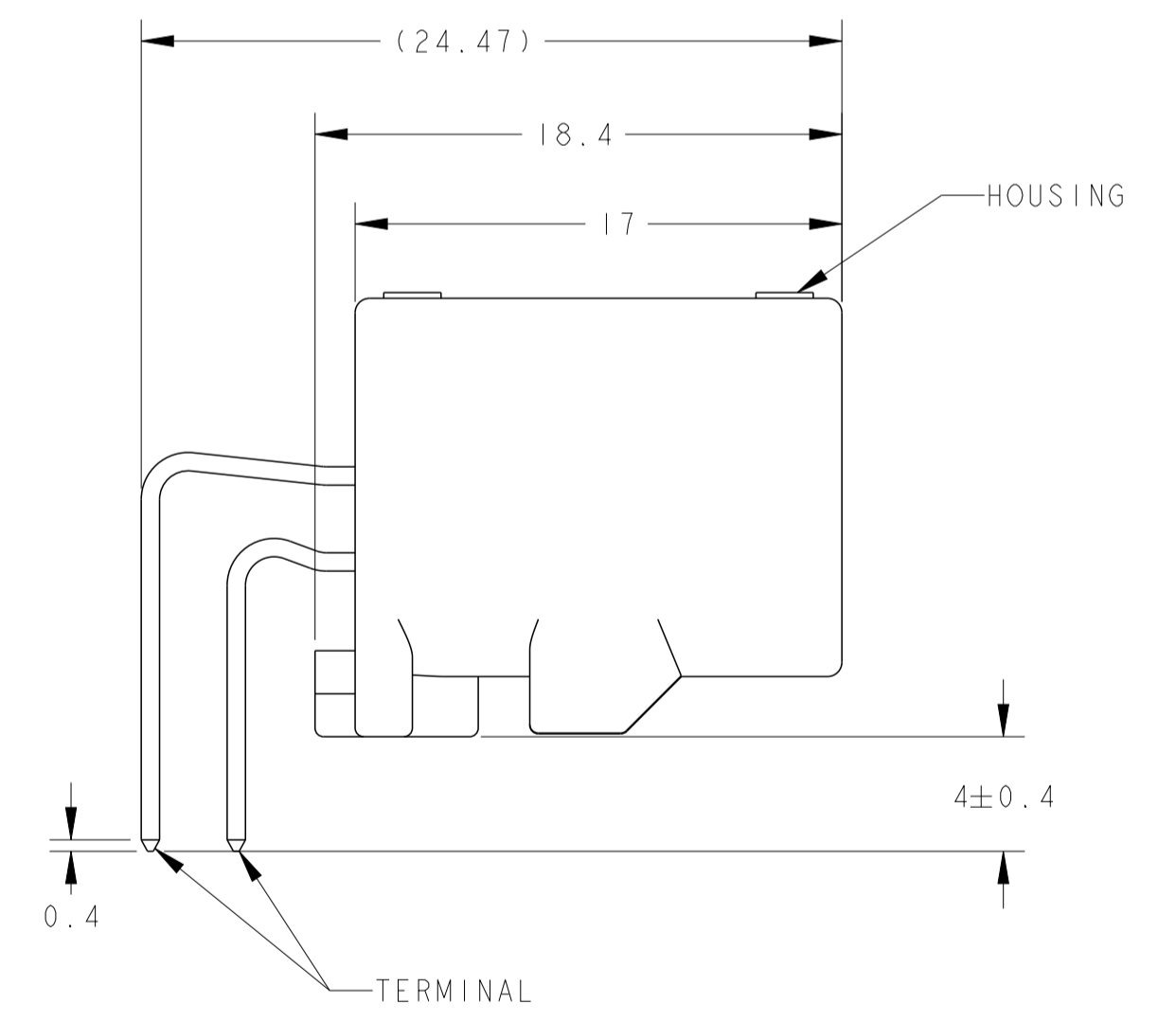
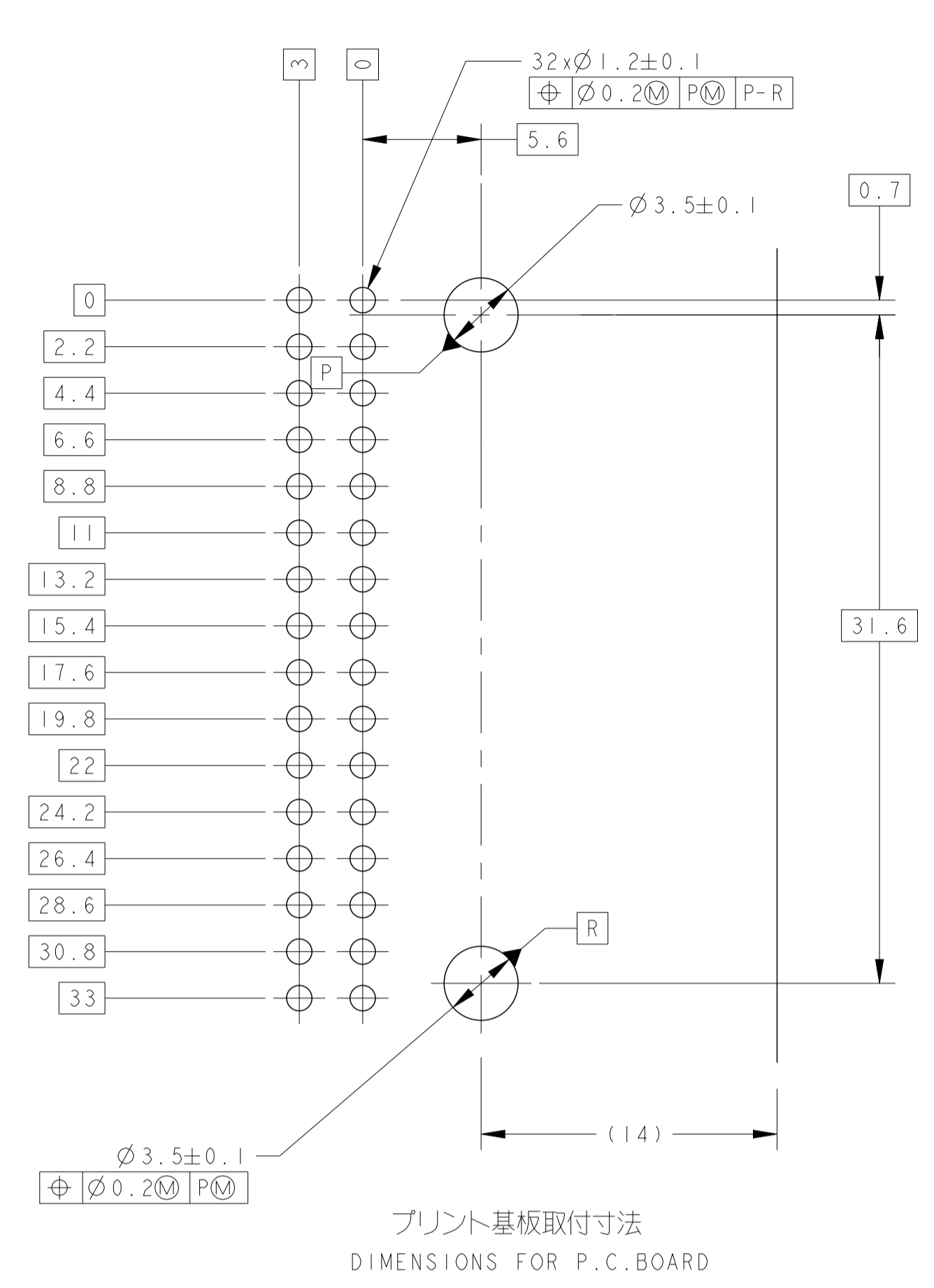
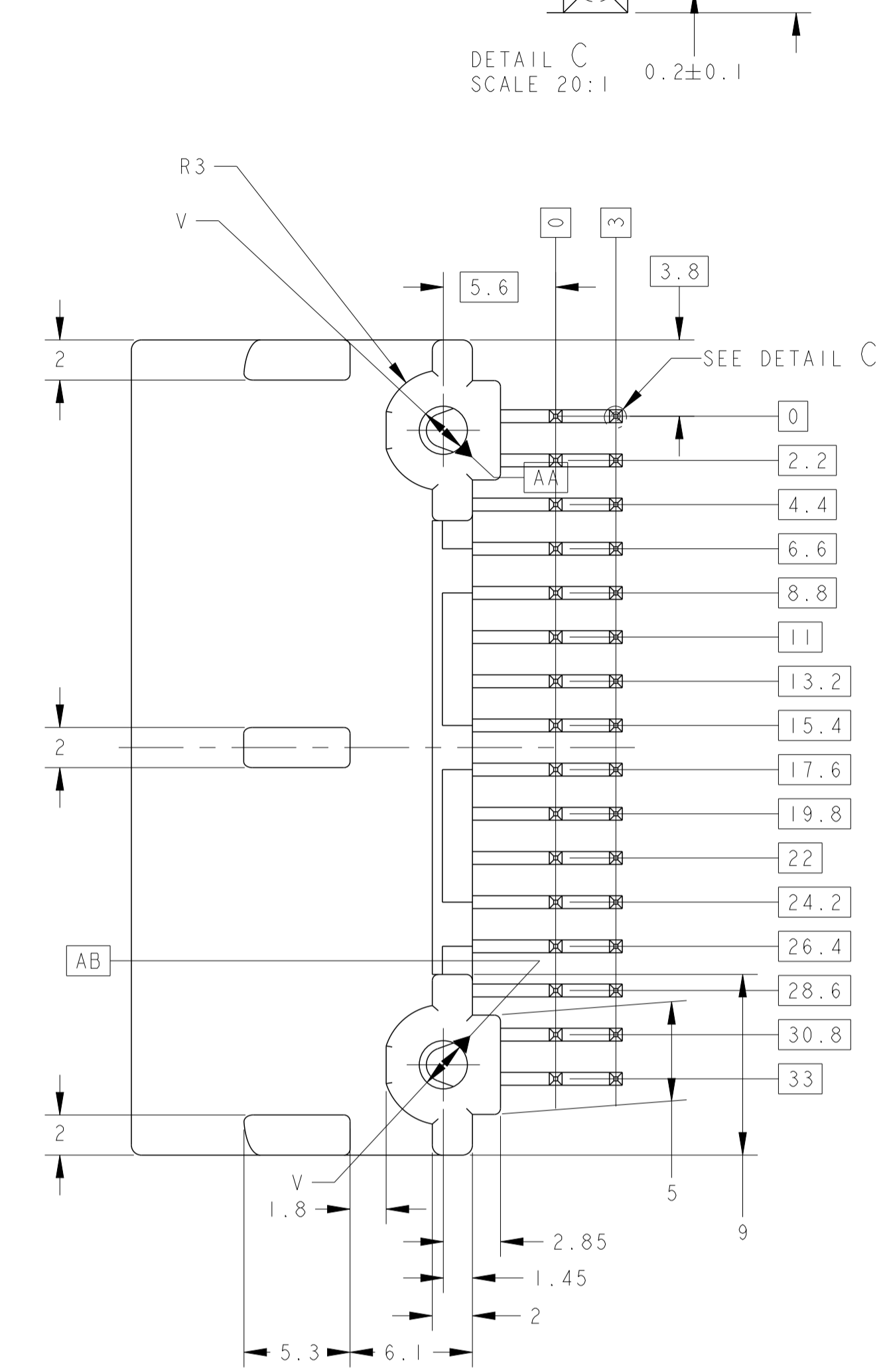
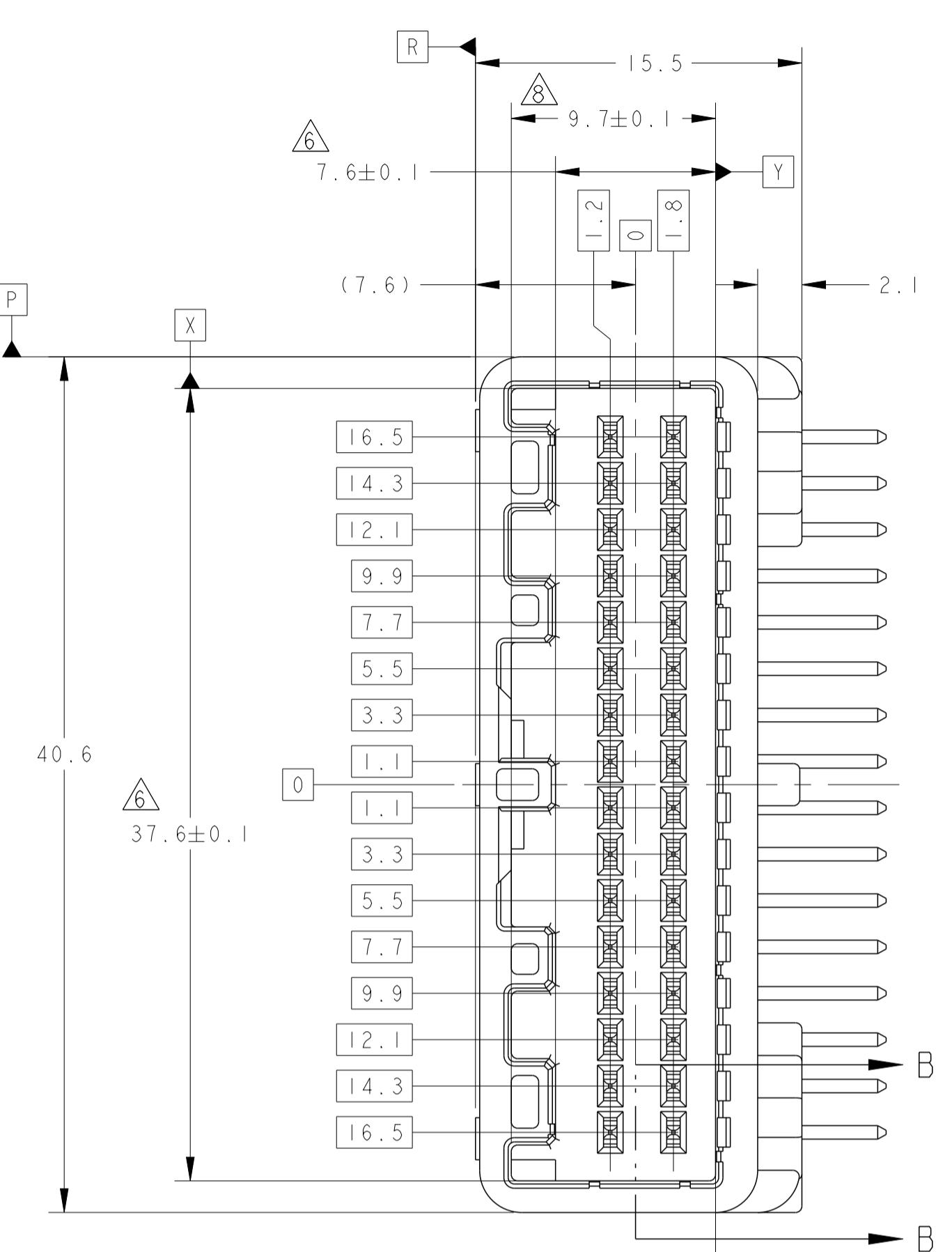
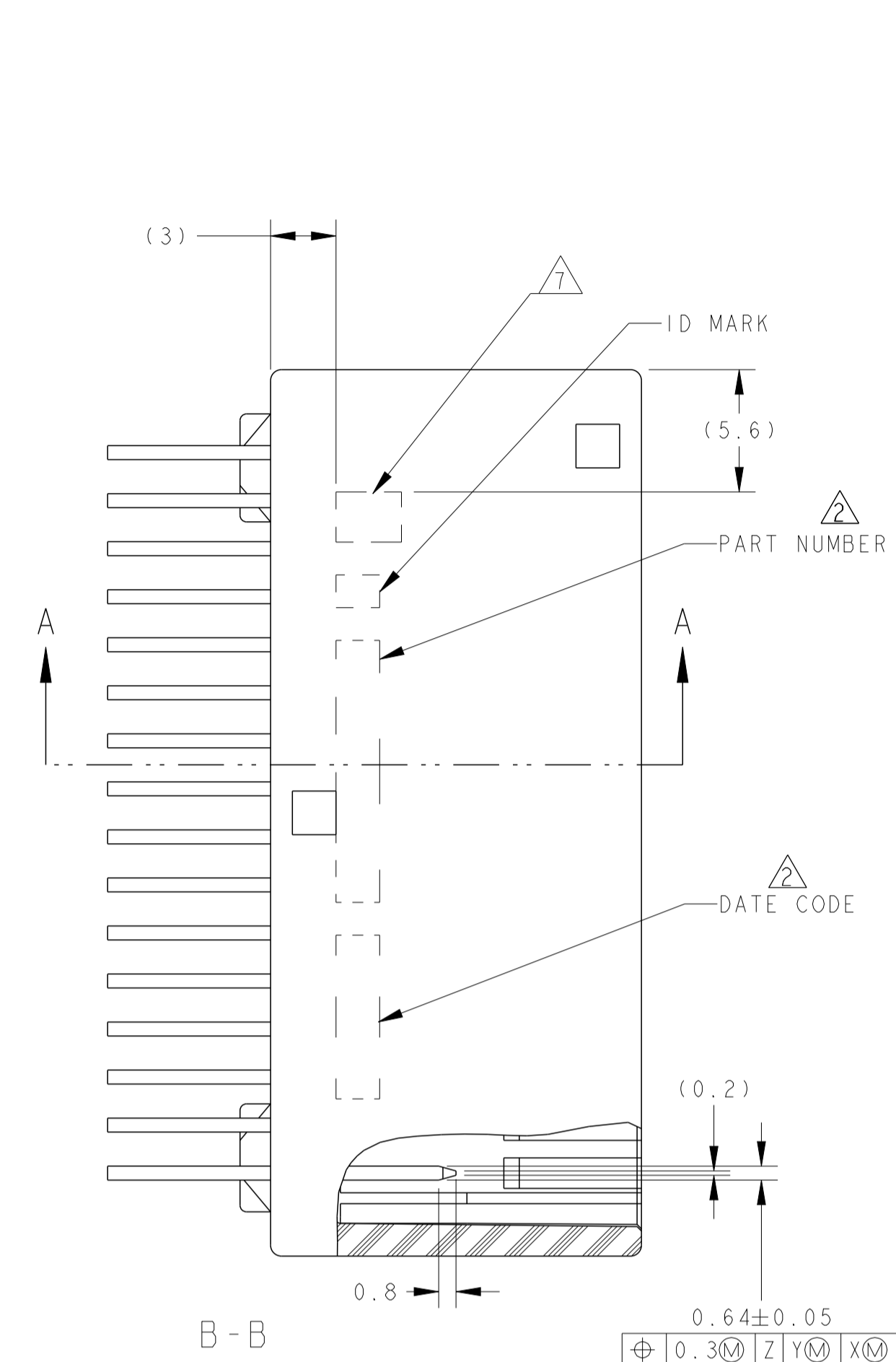


TABLE-1

POS	FEMALE HSG	メスハウジング
32	1318747	1717118

TABLE-2

プリント基板板厚 (mm)	1.2	1.6
THICKNESS OF PCB (mm)		
固定用ねじ着下長さ (mm)	5	6
NOMINAL LENGTH OF SCREW (mm)		

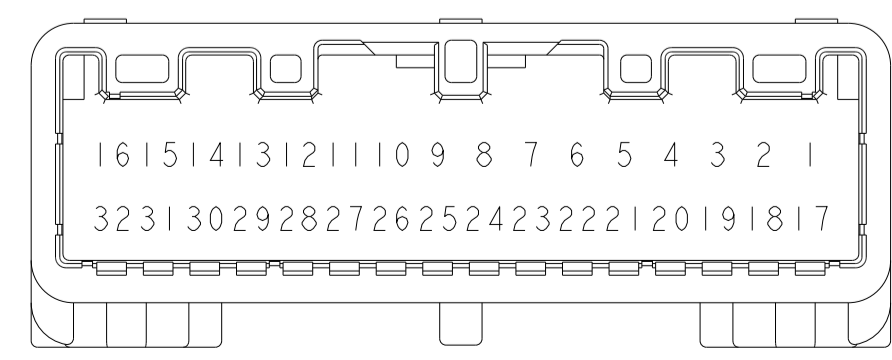


FIG.1 CONTACT COMPOSITION
 コンタクト回路構成

POS	HEIGHT	Ø	BOX	TUBE	POSITIONS	FINISH	FINISH	FINISH	MATERIAL	COLOR	PART NO
60	8.0	Ø2.4	PAPER BOX	PLASTIC TUBE	1~32	SELECTIVE TIN (MATTE)	SELECTIVE GOLD	PBT GF15	BLACK	6318745-6	
OBSOLETE	62	8.0	PLASTIC BOX	PLASTIC TUBE	1,2,17,23,24	SELECTIVE TIN (MATTE)	SELECTIVE TIN (BRIGHT)	PBT GF15	NATURAL	6318745-4	
60	8.0	Ø2.4	PAPER BOX	PLASTIC TUBE	1~32	SELECTIVE TIN (MATTE)	SELECTIVE GOLD	PBT GF15	NATURAL	6318745-3	
4	7.0	Ø2.63	PAPER BOX	PLASTIC TUBE	1~32	SELECTIVE TIN (MATTE)	SELECTIVE GOLD	SPS GF17	NATURAL	1-1318745-3	
OBSOLETE	7	8.0	PLASTIC BOX	PLASTIC TUBE	1,3,17,19	SELECTIVE TIN (MATTE)	SELECTIVE TIN (BRIGHT)	PBT GF15	NATURAL	1-1318745-2	
6	8.0	Ø2.4	PAPER BOX	PLASTIC TUBE	1,7,8,14,15,17,23,24,30,31	SELECTIVE TIN (MATTE)	SELECTIVE TIN (BRIGHT)	PBT GF15	NATURAL	1-1318745-0	
5	8.0	Ø2.4	PAPER BOX	PLASTIC TUBE	-	SELECTIVE TIN (MATTE)	SELECTIVE TIN (BRIGHT)	PBT GF15	NATURAL	1318745-9	
3	7.0	Ø2.63	PLASTIC BOX	PLASTIC TUBE	-	SELECTIVE TIN (MATTE)	SELECTIVE TIN (BRIGHT)	SPS GF17	NATURAL	1318745-8	
4	7.0	Ø2.63	PLASTIC BOX	PLASTIC TUBE	1~32	SELECTIVE TIN (MATTE)	SELECTIVE GOLD	SPS GF17	NATURAL	1318745-7	
3	7.0	Ø2.63	PAPER BOX	PLASTIC TUBE	-	SELECTIVE TIN (MATTE)	SELECTIVE TIN (BRIGHT)	SPS GF17	NATURAL	1318745-5	
2	8.0	Ø2.4	PLASTIC BOX	PLASTIC TUBE	1,2,17,23,24	TIN LEAD	SELECTIVE GOLD	PBT GF15	NATURAL	1318745-4	
1	8.0	Ø2.4	PAPER BOX	PLASTIC TUBE	-	PRE-TIN	PBT GF15	NATURAL	1318745-2		
1	8.0	Ø2.4	PLASTIC BOX	PLASTIC TUBE	-	PRE-TIN	PBT GF15	NATURAL	1318745-1		
MARKING	WEIGHT (g)	V	OUTER	INNER		SOLDERING SIDE	CONTACT SIDE	HOUSING			
マーキング	質量		外装	内装		半田付け面	接合側面	ハウジング			
			PACKING STYLE	GOLD PLATED CIRCUIT NO		CONTACT FINISH	HOUSING				
			梱包形態	金めっき回路番号		コンタクト仕上	ハウジング				

- PLUG HOUSING TO BE MATED ; SEE TABLE-1.
- DATE CODE, PART NUMBER INDICATED
- RECOMMENDED SCREW : PAN-HEADED, TYPE 2 TAPPING SCREW, NOMINAL DIAMETER 3mm LENGTH; SEE TABLE-2 (JIS B1115, B1122).
- FASTENING TORQUE FOR SCREW (FOR REFERENCE): 0.392N·m REF.
- AS FOR THE HANDLING OF THIS PRODUCT, FOLLOW THE INSTRUCTION SHEET No.:411-5928
- MEASURED AT 6mm FROM [Z]
- IDENTIFICATION MARK FOR THE CONTACT FINISH; SEE TABLE
- MEASURED AT 2mm FROM [Z]
- NO IDENTIFICATION MARK OF CONTACT FINISH AND ID MARK
- CIRCUIT NUMBER: SEE FIG. 1

- 接合相手ハウジング型番: TABLE-1 参照
- DATE CODE, PART NUMBER を表示
- 推奨取付ねじ: JIS B1115, B1122 タッピングねじ, ねじ径 3, 長さ: TABLE-2 参照
- ねじ締めトルク (参考): 0.392N·m REF.
- 本品の取扱いについては、取扱説明書 No.: 411-5928 に従ってください
- [Z] より 6mm の位置で測定。
- コンタクト上は識別用マーク; 表参照
- [Z] より 2mm の位置で測定。
- コンタクト上は識別用マーク及び ID マークの刻印は無し
- 回路番号は FIG. 1 参照

THIS DRAWING IS A CONTROLLED DOCUMENT.

OWNER: N. YASUDA TOMAROO
 CHK: N. SAI TOMAROO
 APPV: N. SAI TOMAROO

PRODUCT SPEC: 108-5668
 APPLICATION SPEC: 114-5250

SCALE: 4:1 SHEET 1 OF 2 REV B9

TE Connectivity
 025 SERIES 32 POSITION (PCB H-TYPE)
 CAP HOUSING ASSEMBLY

SIZE: A100779 C=1318745

THIS DRAWING IS UNPUBLISHED.

RELEASED FOR PUBLICATION

2015

© COPYRIGHT 2015

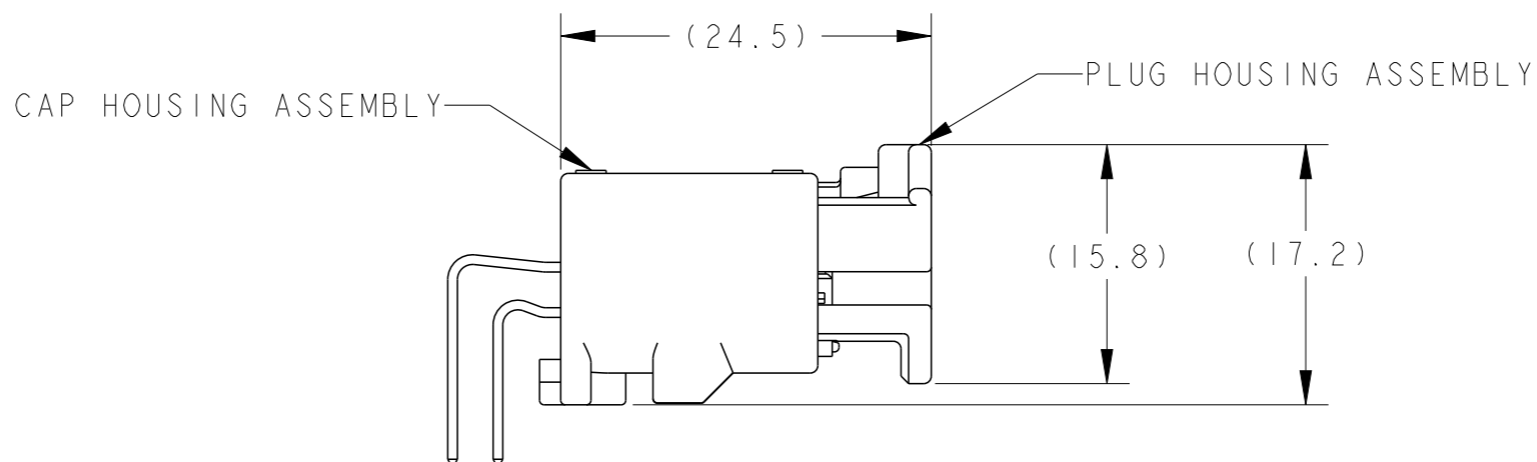
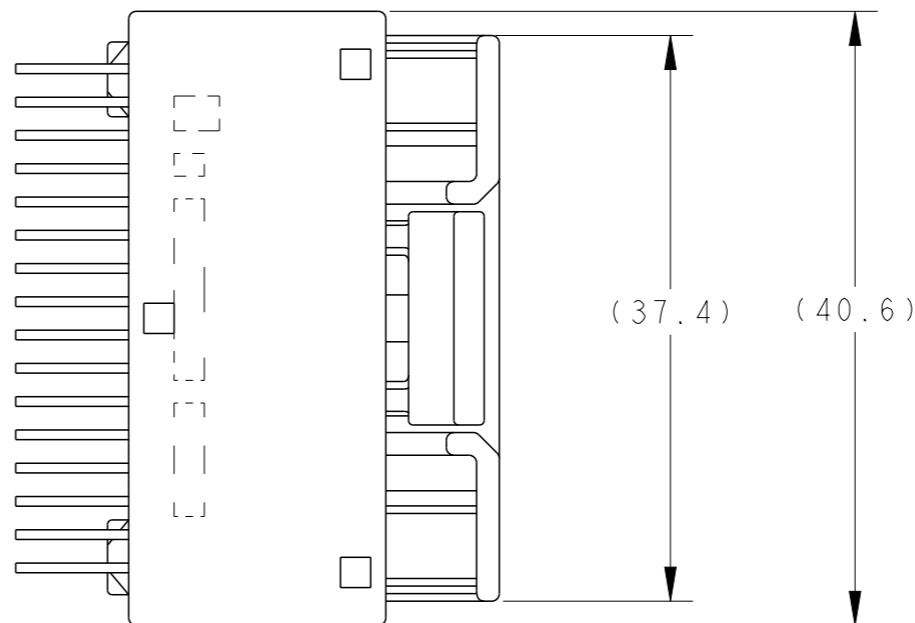
ALL RIGHTS RESERVED.

LOC
J


DIST

REVISIONS
変更

P	LTR	DESCRIPTION	DATE	DWN	APVD
-	-	SEE SHEET 1	-	-	-



CAP ASSEMBLY & PLUG ASSEMBLY ENGAGEMENT DRAWING
 □□□□□□□□□□ & □□□□□□□□□□ □□

THIS DRAWING IS A CONTROLLED DOCUMENT.		DWN N. YASUDA	IOMAR00	 TE Connectivity
DIMENSIONS: 単位: 概 mm		CHK N. SAI	IOMAR00	
TOLERANCES UNLESS OTHERWISE SPECIFIED: 一般公差 = ± 0.3		APVD N. SAI	IOMAR00	
0 PLC ± 1 PLC ±0.1 2 PLC ±0.01 3 PLC ±0.001 4 PLC ±0.0001 ANGLES ±3'00"		PRODUCT SPEC 製品規格 SEE SHEET 1 OF 2		NAME 名称 025 SERIES 32 POSITION (PCB H-TYPE) CAP HOUSING ASSEMBLY
MATERIAL 材料 SEE SHEET 1 OF 2		APPLICATION SPEC 取付適用規格 SEE SHEET 1 OF 2		SIZE A3 CAGE CODE 00779 DRAWING NO C-1318745
FINISH 仕上 SEE SHEET 1 OF 2		WEIGHT SEE SHEET 1 OF 2		RESTRICTED TO -
CUSTOMER DRAWING				SCALE 尺度 4:1 SHEET 2 OF 2 REV B9