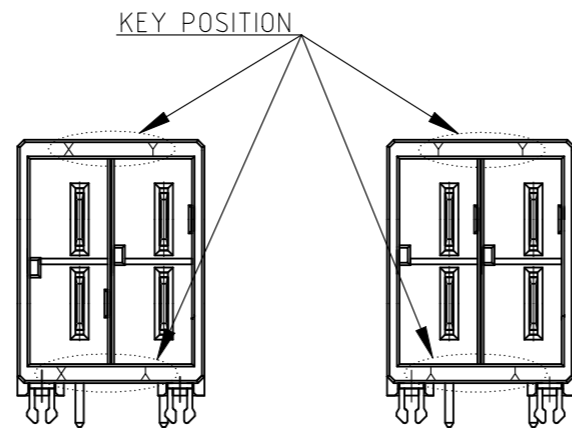
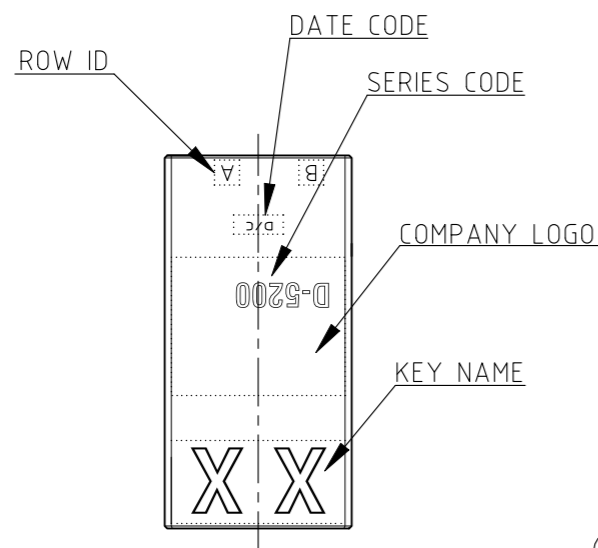
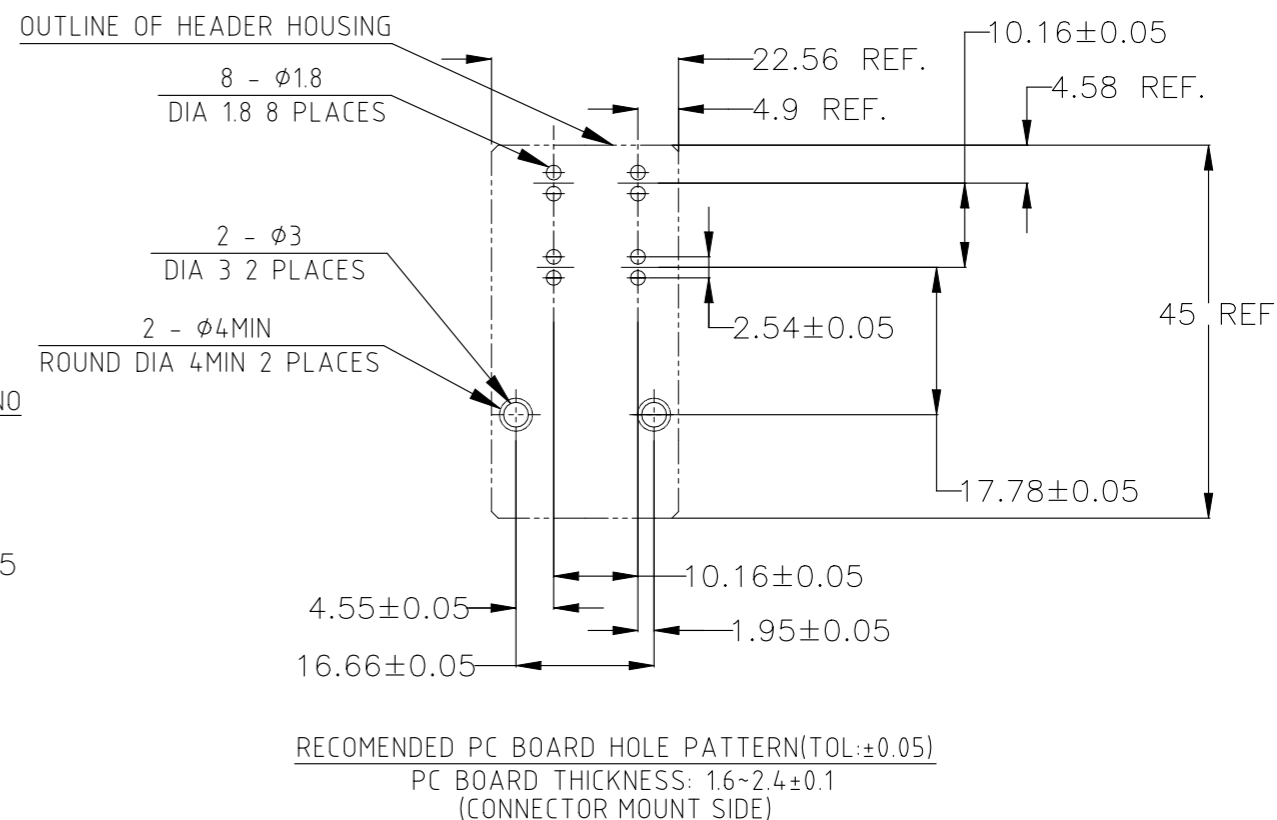
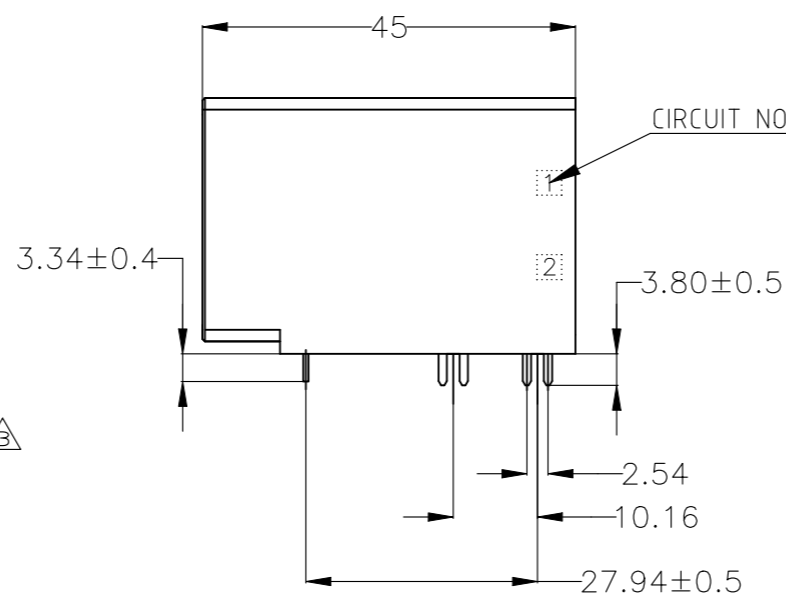
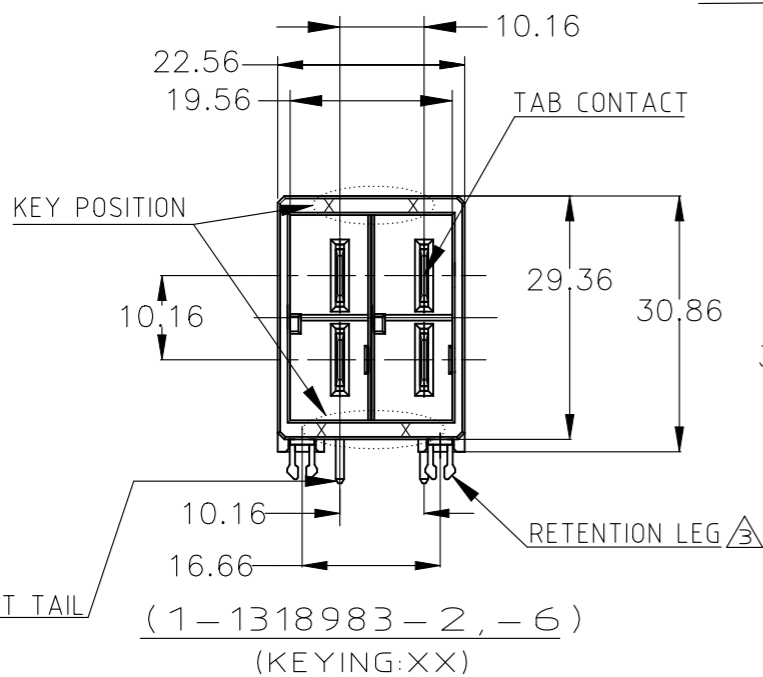


REVISIONS					
P	LTR	DESCRIPTION	DATE	DWN	APVD
	C3	REVISED PER ECR-22-144156	28JUN2022	RI	TS



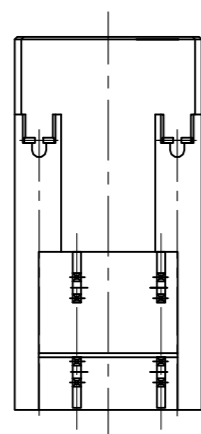
(3-1318983-2,-6) (2-1318983-2,-6)  
(KEYING:XY) (KEYING:YY)



NOTE:

- 1. MATERIAL: HOUSING: GLASS FILLED THERMO PLASTIC, POLYESTER(94V-0), COLOR : BLACK  
TAB CONTACT : COPPER ALLOY  
RETENTION LEG: BRASS

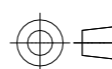
- △ FINISH (CONTACT AREA): ALL OVER 2.54 μm MIN SILVER PLATING (CONTACT TAIL) OVER Ni PLATING
- △ FINISH (RETENTION LEG): TIN PLATED OVER NICKEL
- △ FINISH (CONTACT AREA): 0.38 μm Min GOLD PLATING OVER NICKEL. FINISH (CONTACT TAIL): TIN PLATED OVER NICKEL



XY	△ <sub>4</sub>	3-1318983-2
YY	△ <sub>4</sub>	2-1318983-2
XX	△ <sub>4</sub>	1-1318983-2
XY	△ <sub>2</sub>	3-1318983-6
YY	△ <sub>2</sub>	2-1318983-6
XX	△ <sub>2</sub>	1-1318983-6
KEY TYPE	FINISH	(PART NO)

THIS DRAWING IS A CONTROLLED DOCUMENT.

DIMENSIONS: mm



TOLERANCES UNLESS OTHERWISE SPECIFIED:		
0 - PLC	±10%	±0.3
1 - PLC	±30%	>10:±0.35
2 - PLC	±100%	>30:±0.4
3 - PLC	±	ANGLE ±3°
4 - PLC	±	
ANGLES	±	
FINISH	±	

MATERIAL

SEE NOTE

SEE NOTE

DWN	K.IKEDA	09FEB2000
CHK	Y.KATO	10FEB2000
APVD	I.HASEGAWA	10FEB2000
PRODUCT SPEC	108-5453	
APPLICATION SPEC	114-5206	
WEIGHT		



NAME: DOUBLE ROW HEADER ASSY 4P('H'TYPE)  
<DYNAMIC D-5200D ALPHA>

SIZE	CAGE CODE	DRAWING NO	RESTRICTED TO
A3	00779	C-1318983	-

CUSTOMER DRAWING

SCALE	SHEET	REV
1:1	1 OF 1	C3