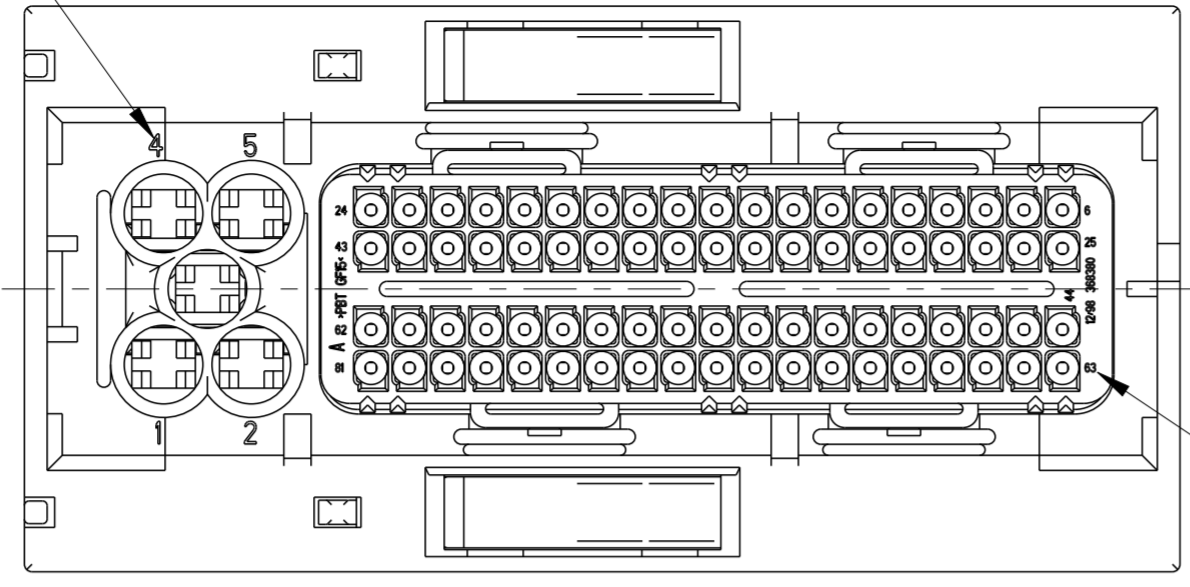


THIS DRAWING IS UNPUBLISHED. RELEASED FOR PUBLICATION 20  
 © COPYRIGHT 20 ALL RIGHTS RESERVED.

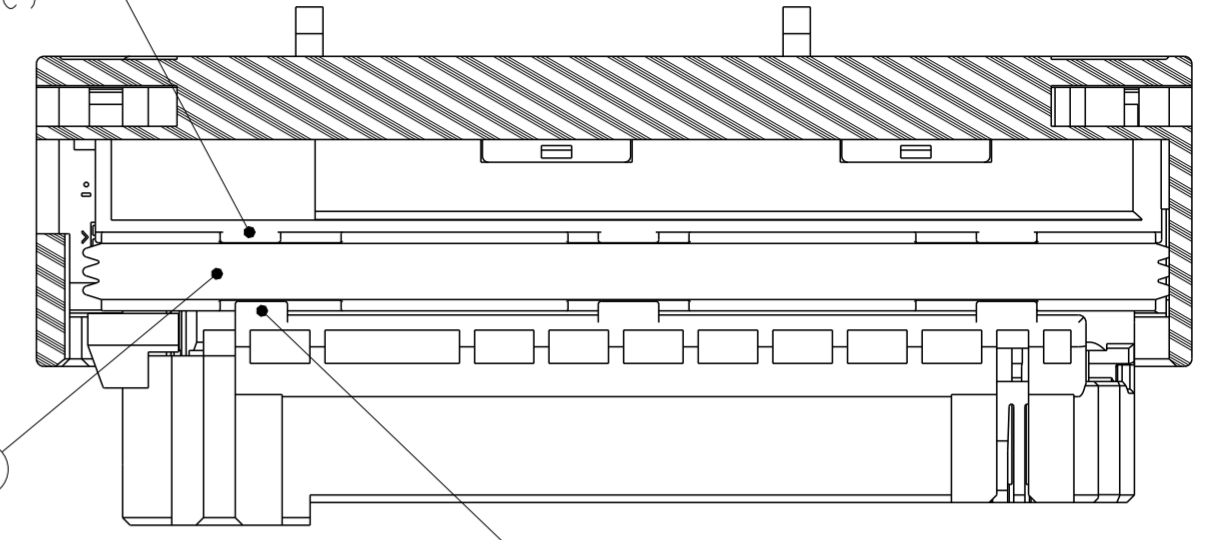
REVISIONS						
LOC	REV	P	LTR	DESCRIPTION	ECN	DATE
J	X					
	B6			REVISED	ECR-21-003932	19MAY2021
	B7			REVISED	ECR-21-121320	19NOV2021
	B8			REVISED	ECR-23-167493	27FEB2023
	B9			REVISED	ECR-23-181818	20JUL2023

CIRCUIT NUMBER



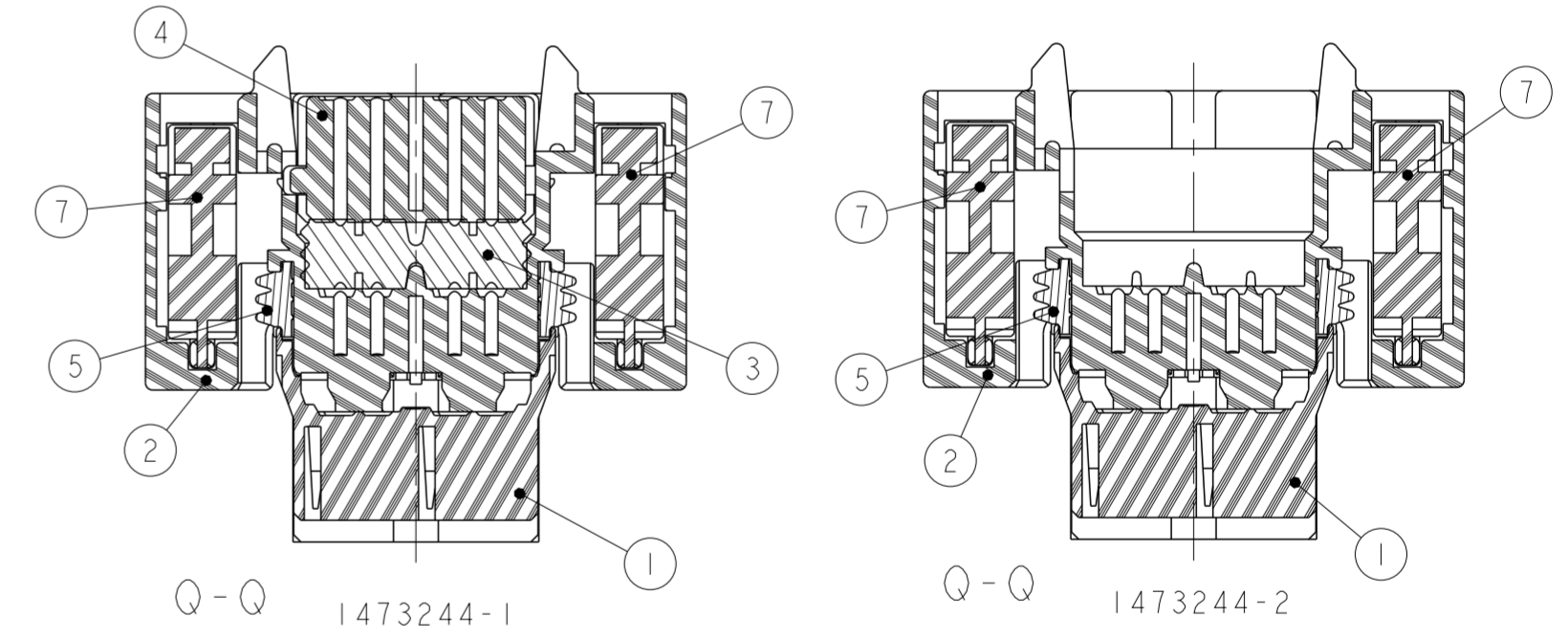
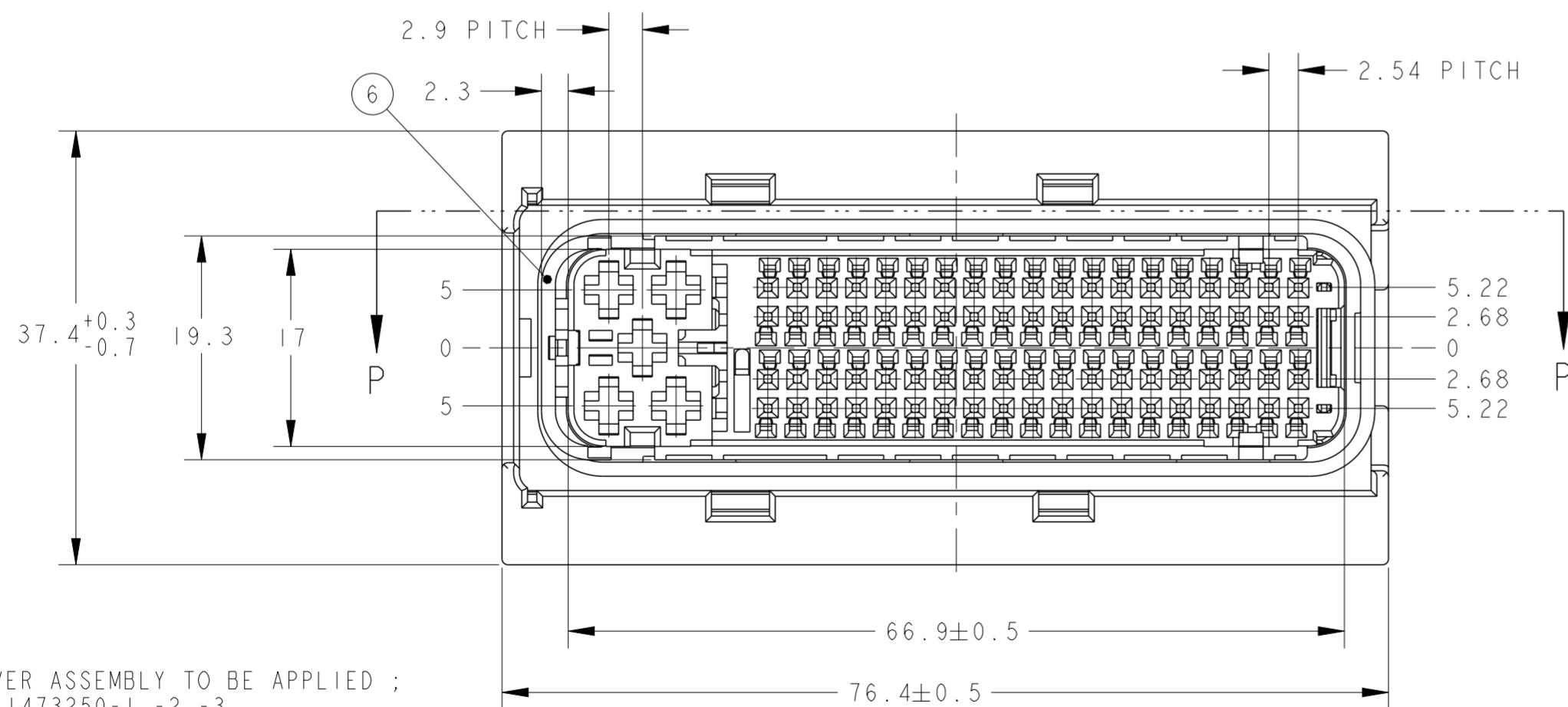
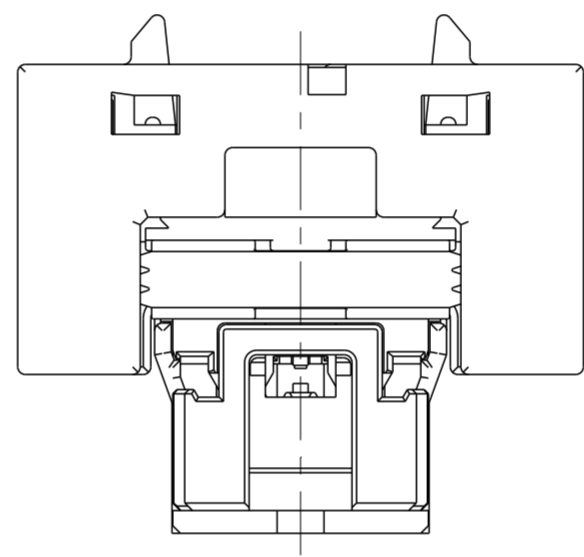
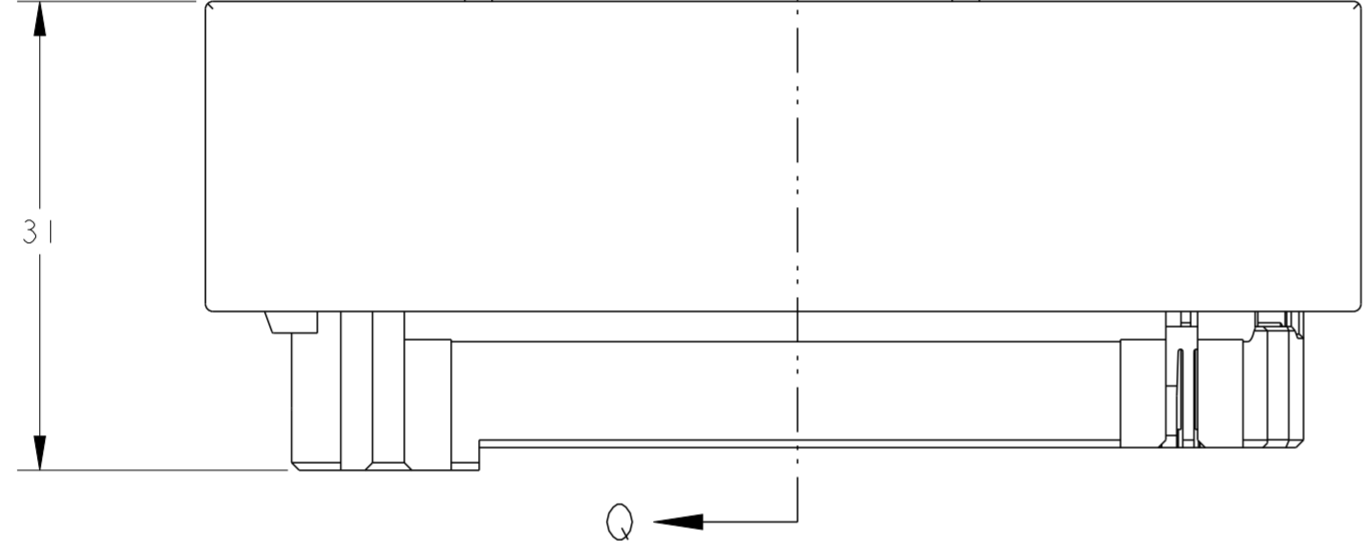
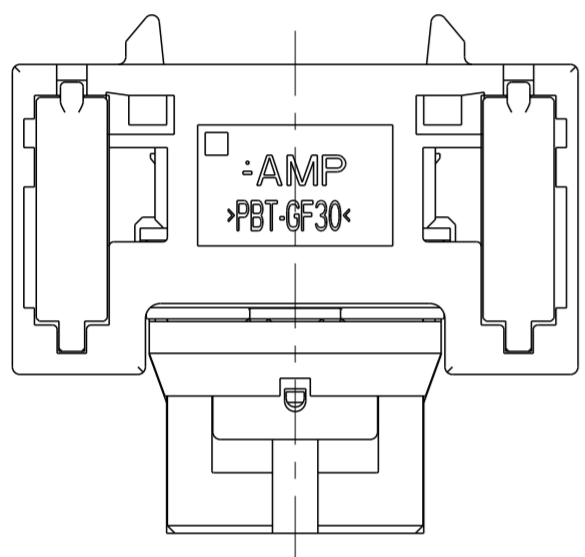
BOSS OF MAIN CAVITY BLOCK. IT HOLD A PERIPHERAL SEAL. (8PLC)

CIRCUIT NUMBER



BOSS OF FRONT CAVITY BLOCK. IT HOLD A PERIPHERAL SEAL. (6PLC)

P-P



- PART NUMBER OF LEVER ASSEMBLY TO BE APPLIED ; P/N 1473247-1, -2, 1473250-1, -2, -3
  - PART NUMBER OF MQS RETAINER TO BE APPLIED ; P/N 368382-1
  - APPLIED TERMINAL ; SEE TABLE-1
  - PART NUMBER OF CAP HOUSING TO BE MATED ; P/N 1241434-1, 1746979-1
  - INSTRUCTION SHEET NO ; 411-78008
1. 適用レバーアッセンブリ型番は、P/N P/N 1473247-1, -2, 1473250-1, -2, -3  
 2. 適用MQSリテーナ型番は、P/N 368382-1  
 3. 適用端子はTABLE-1参照  
 4. 嵌合相手型番は、P/N 1241434-1, 1746979-1  
 5. 取扱説明書 NO ; 411-78008

TABLE-1

CONTACT	MQS		JPT		
PART NUMBER	5-968220-1	5-968221-1	964282-2	964286-2	964273-2
WIRE SIZE (mm <sup>2</sup> )	0.5	0.75	0.2~0.5	0.5~1.0	>1.0~2.5

SEE DRAWING 1473244-3	2	2	PA66	SLIDER	BLACK	7
	1	1	PBT	JPT RETAINER	YELLOW	6
	1	1	SILICONE	PERIPHERAL SEAL	ORANGE	5
	-	1	PBT	SEAL RETAINER	BLACK	4
	-	1	SILICONE	76POS FAMILY SEAL	ORANGE	3
	1	1	PBT	MAIN CAVITY BLOCK	BLACK	2
	1	1	PA66	FRONT CAVITY BLOCK	BLACK	1
	-3	-2	-1	MATERIAL	PART NAME	FINISH/COLOR NO

THIS DRAWING IS A CONTROLLED DOCUMENT.

DIMENSIONS: 単位: 尺 (mm)

TOLERANCES UNLESS OTHERWISE SPECIFIED: 一般公差 = ±0.3

0-PLC ±0.5  
 1-PLC ±0.5  
 2-PLC ±0.13  
 3-PLC ±0.013  
 4-PLC ±0.0001  
 ANGLES ±3°00'

MATERIAL 材料 SEE TABLE

FINISH 仕上 SEE TABLE

DWN Y. KAWAHARA 10OCT2001  
 CHK N. SAI 10OCT2001  
 APVD K. SHIMIZU 10OCT2001

PRODUCT SPEC 108-5793  
 APPLICATION SPEC 114-18021, 114-18050

WEIGHT 46.5g

CUSTOMER DRAWING

SCALE 尺度 2:1

SHEET 1 OF 1

REV B9

RESTRICTED TO

NAME 名称 PLUG HOUSING ASSY SEALED 8IPOS. PLUG HSG MQS CLEAN BODY/JPT

SIZE A2

CAGE CODE 00779

DRAWING NO. 1473244

TE Connectivity