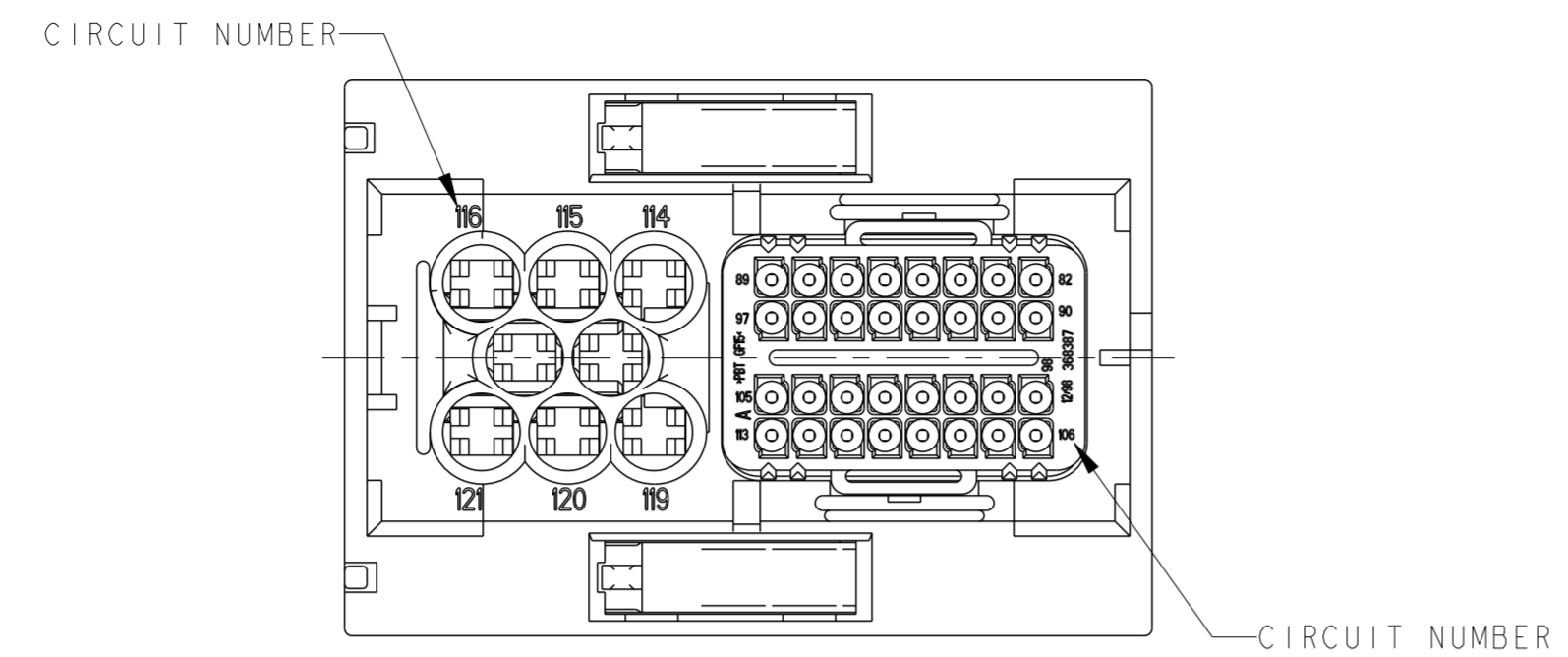
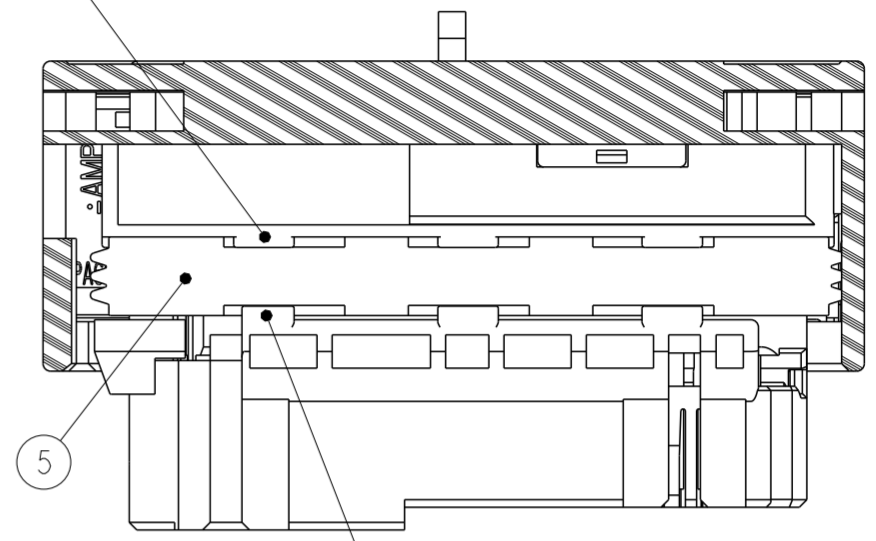


THIS DRAWING IS UNPUBLISHED. RELEASED FOR PUBLICATION 20
 © COPYRIGHT 20 ALL RIGHTS RESERVED.

REVISONS		変更		DATE	DWN	APVD
P	LTR	DESCRIPTION				
A4	REVISED	ECR-21-003932		19MAY2021	DM	RK
A5	REVISED	ECR-21-121320		19NOV2021	DM	RK
A6	REVISED	ECR-23-167493		27FEB2023	DM	RK
A7	REVISED	ECR-23-181818		20JUL2023	AY	RK

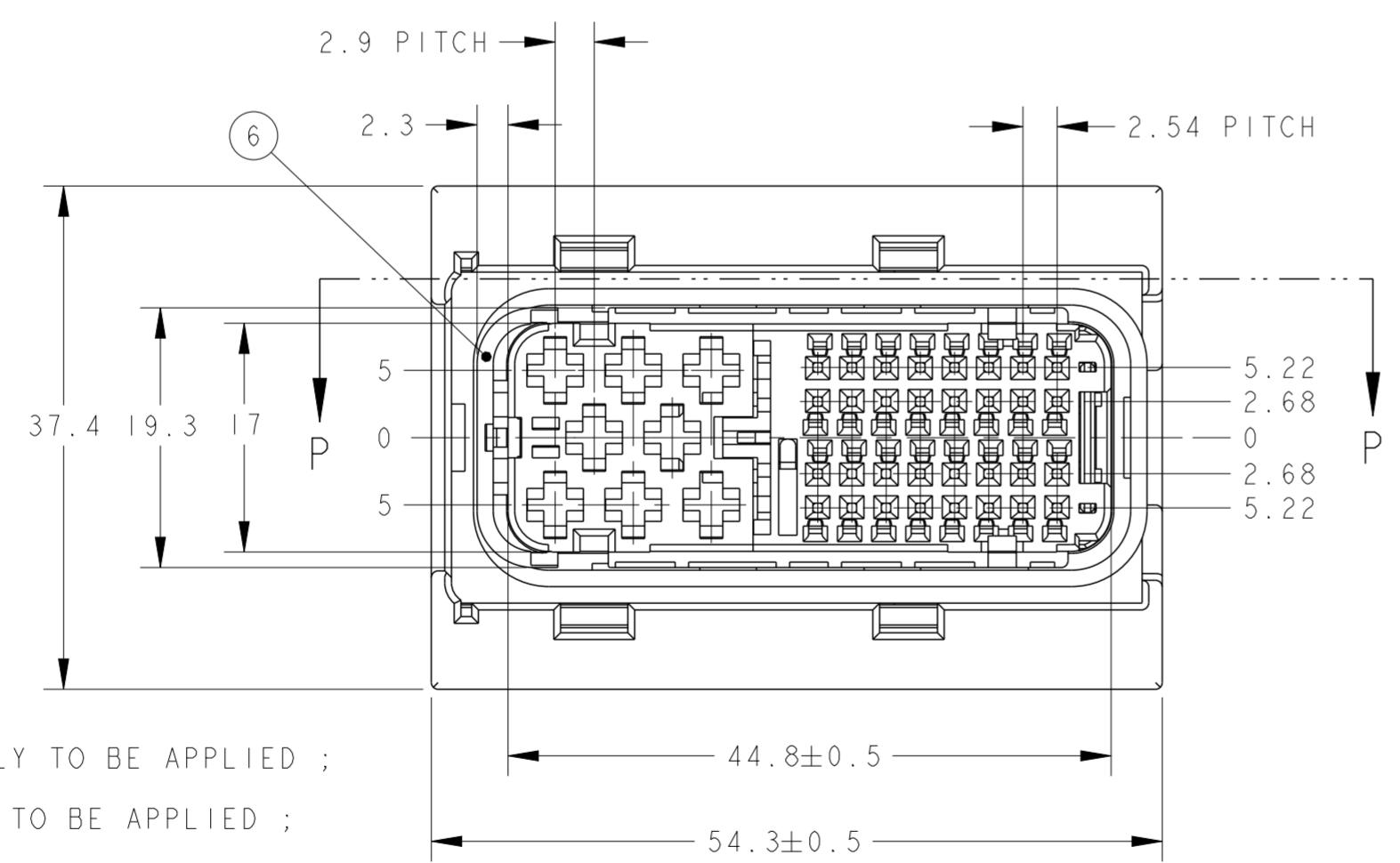
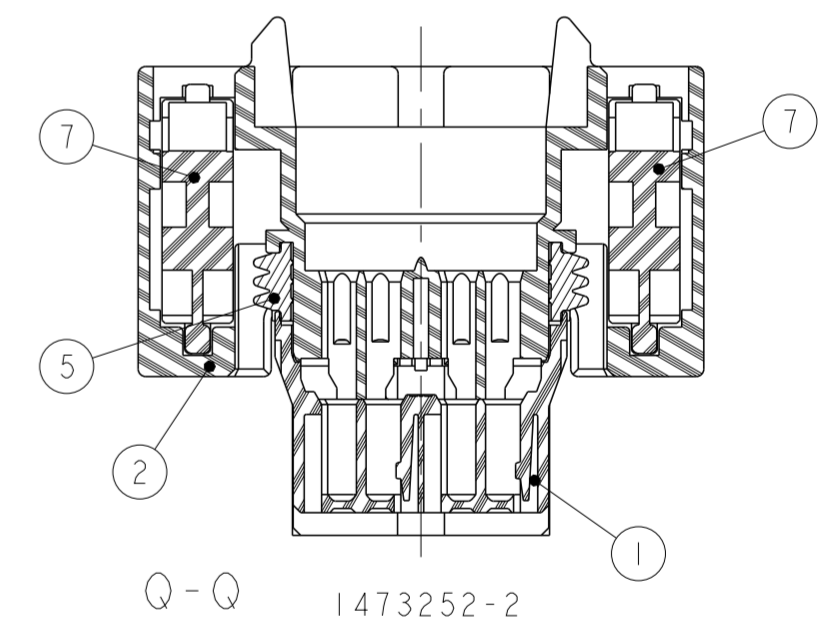
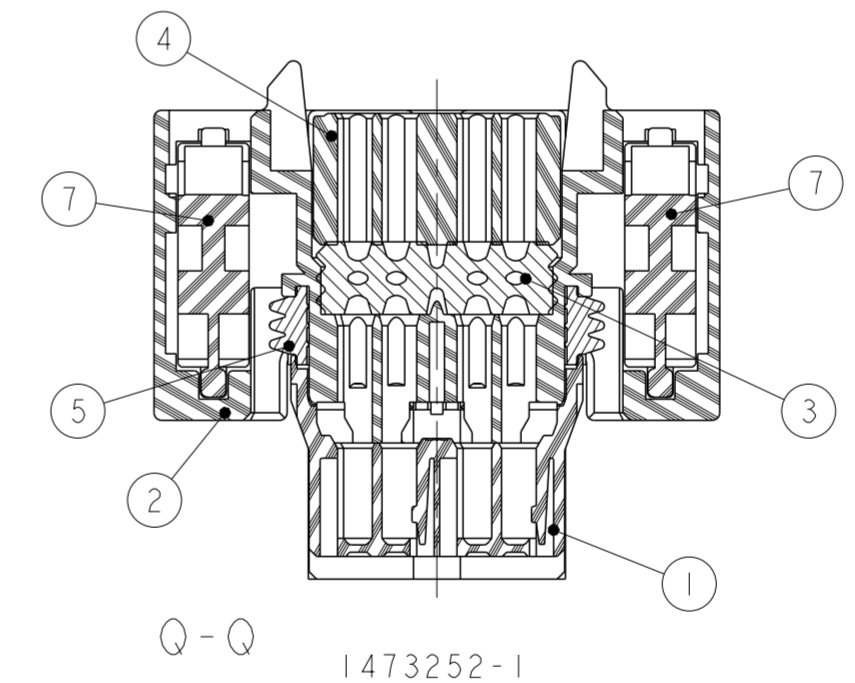
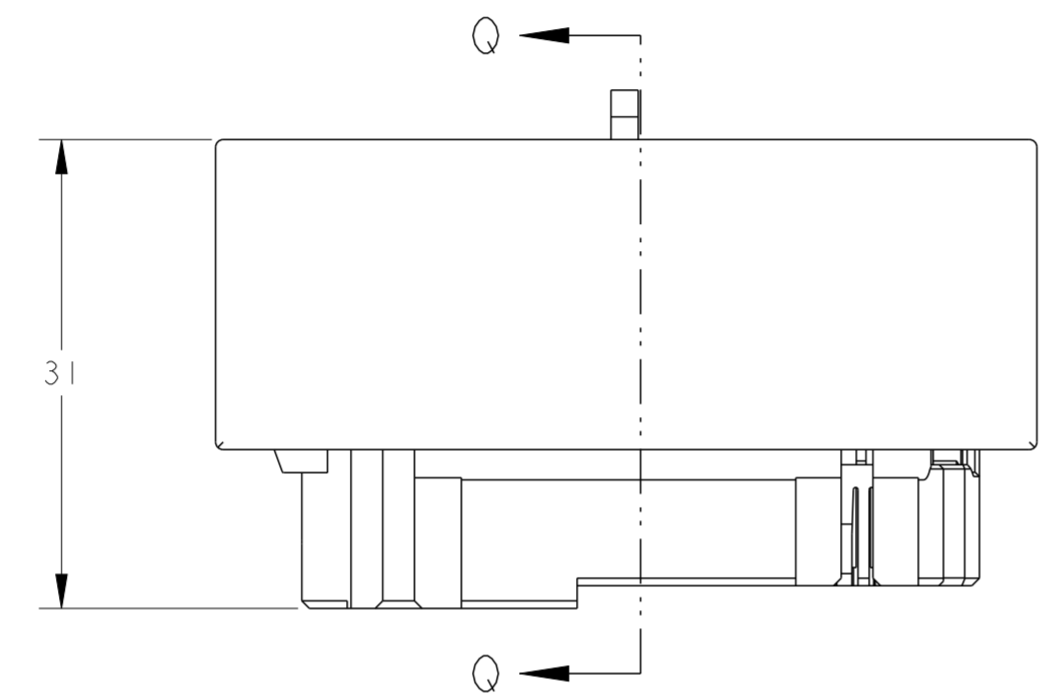
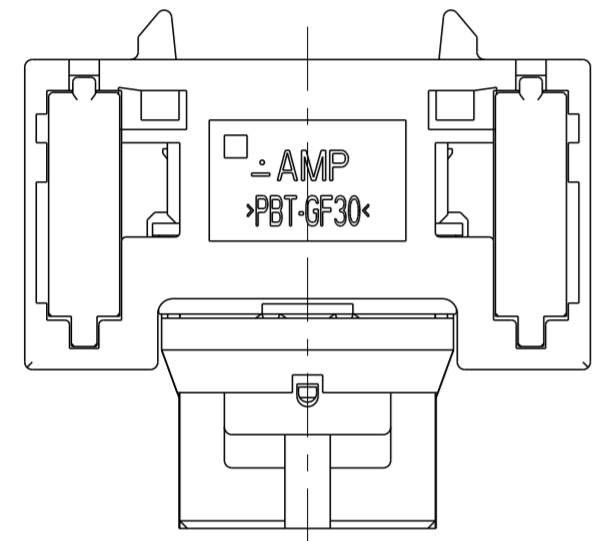
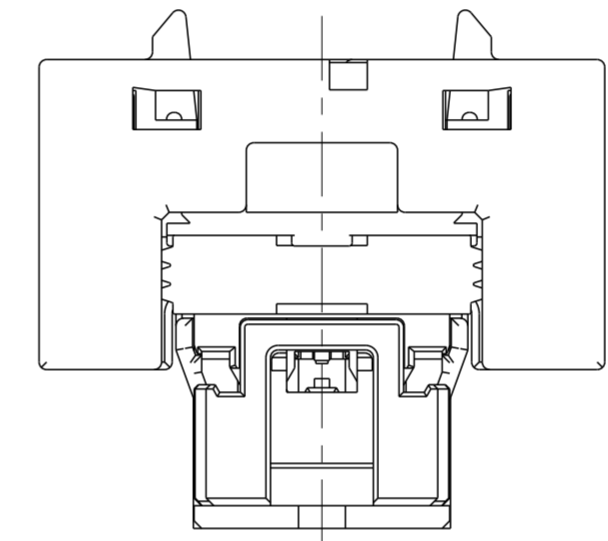


BOSS OF MAIN CAVITY BLOCK.
IT HOLD A PERIPHERAL SEAL.
(8PLC)



BOSS OF FRONT CAVITY BLOCK.
IT HOLD A PERIPHERAL SEAL.
(6PLC)

P-P



- PART NUMBER OF LEVER ASSEMBLY TO BE APPLIED ; P/N 1473255-1, -2, -3
- PART NUMBER OF MQS RETAINER TO BE APPLIED ; P/N 368388-1
- APPLIED TERMINAL ; SEE TABLE-1
- PART NUMBER OF CAP HOUSING TO BE MATED ; P/N 1241434-1, 1746979-1
- INSTRUCTION SHEET NO ; 411-78008

- 適用レバーアッセンブリ型番は、P/N 1473255-1, -2, -3
- 適用MQSリテーナ型番は、P/N 368388-1
- 適用端子はTABLE-1参照
- 嵌合相手型番は、P/N 1241434-1, 1746979-1
- 取扱説明書 NO ; 411-78008

TABLE-1

CONTACT	MQS	JPT			
PART NUMBER	5-968220-1	5-968221-1	964282-2	964286-2	964273-2
WIRE SIZE (mm ²)	0.5	0.75	0.2~0.5	0.5~1.0	>1.0~2.5

2	2	PA66	SLIDER	BLACK	7
1	1	PBT	JPT RETAINER	YELLOW	6
1	1	SILICONE	PERIPHERAL SEAL	ORANGE	5
-	1	PBT	SEAL RETAINER	BLACK	4
-	1	SILICONE	32POS FAMILY SEAL	ORANGE	3
1	1	PBT	MAIN CAVITY BLOCK	BLACK	2
1	1	PA66	FRONT CAVITY BLOCK	BLACK	1
-2	-1	MATERIAL	PART NAME	FINISH/COLOR	NO

THIS DRAWING IS A CONTROLLED DOCUMENT.

DWN: Y. KAWAHARA 10OCT01
 CHK: N. SAI 10OCT01
 APVD: K. SHIMIZU 10OCT01

NAME: PLUG HOUSING ASSY
 SEALED 40POS. PLUG HSG MQS CLEAN BODY/JPT

PRODUCT SPEC: 108-5793
 APPLICATION SPEC: 114-18021, 114-18050

WEIGHT: 32.2g

CUSTOMER DRAWING

SCALE: 2:1

SHEET 1 OF 1

REV A7