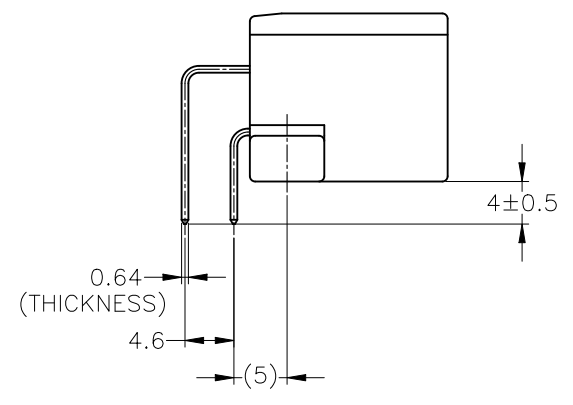
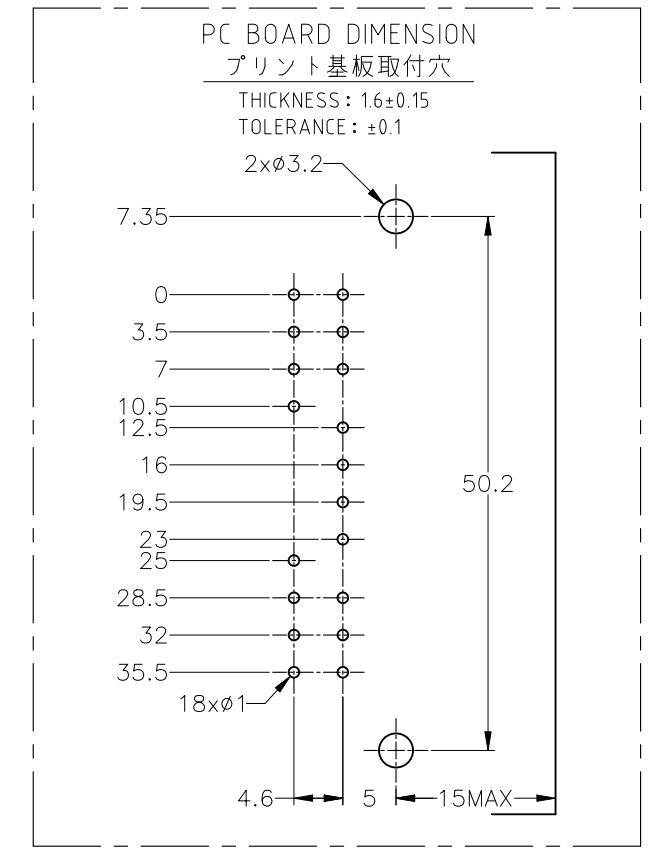
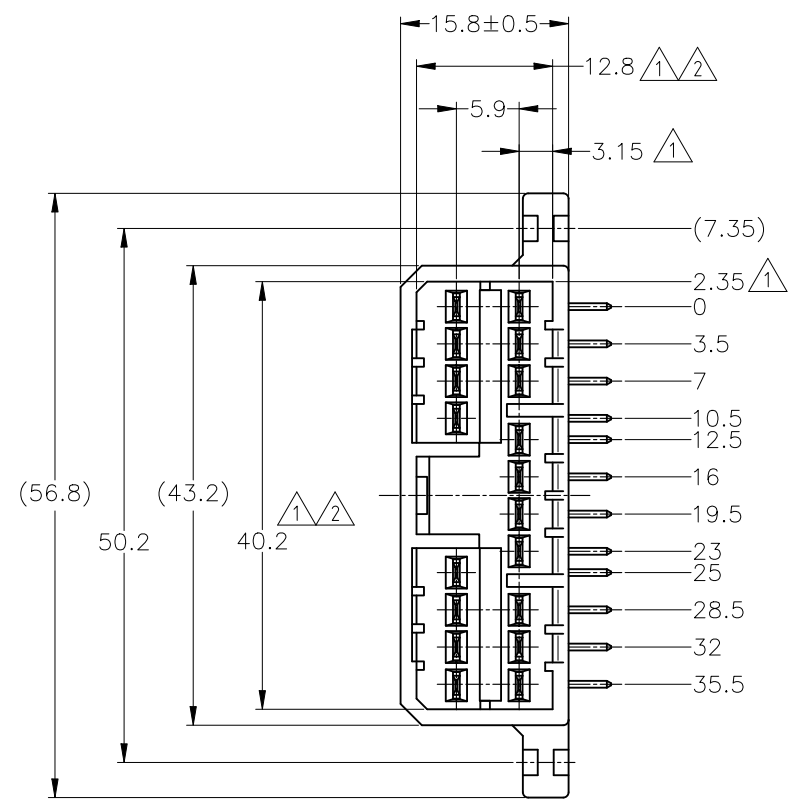
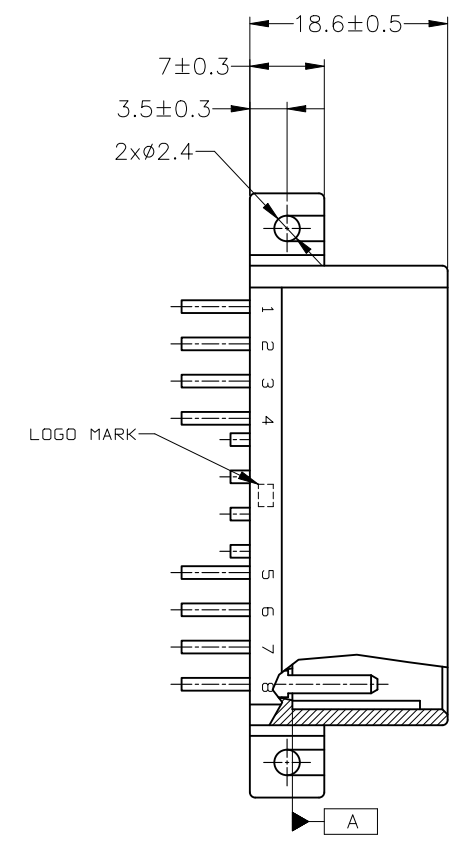


REVISIONS					
P	LTR	DESCRIPTION	DATE	DWN	APVD
	V7	REVISED	ECR-23-185274	06SEP2023	AG RK



- ① TO BE MEASURED BETWEEN [A] AND 2.
- ② TO BE MATE WITH PLUG HSG SMOOTHLY.
- 3. TO BE USE M3 TAPPING SCREW JIS B1115 OR 1122 (TYPE2 OR 4) BEFORE SOLDER (TIGHTENING TORQUE : 0.4N·m (4Kg·cm) MAX.)
- ④ CIRCUIT NUMBER ; SEE FIG.1.
- ① [A] 面より2mmの範囲で測定。
- ② 相手ハウジングと所定の機能を満足して嵌合できること。
- 3. プリント基板への取付は、JIS B1115又は1122、M3×6ナベ(2種又は4種)のタッピングネジで締付けた後ハンダ付する。(締付トルク：0.4N·m (4Kg·cm)以下)
- ④ 回路番号：FIG.1参照のこと。

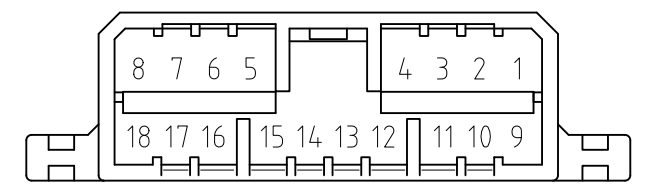


FIG.1 ④

STATUS	HB	SELECTIVE-TIN (MATTE)	SELECTIVE GOLD × 2	5,15 (2極)	1~4,6~14,16~18 (16極)	NATURAL 自然色	4-5173862-1
OBSOLETE	HB	PRE-TIN × 16	SELECTIVE GOLD × 2	11,12 (2極)	1~10,13~18 (16極)	NATURAL 自然色	6-5173862-1
OBSOLETE	HB	PRE-TIN × 14	SELECTIVE GOLD × 4	1,3,9,13 (4極)	2,4~8,10~12,14~18 (14極)	GREEN 緑色	5-5173862-4
OBSOLETE	HB	PRE-TIN × 18	SELECTIVE GOLD × 18	1~18 (全極)	-	NATURAL 自然色	2-5173862-1
OBSOLETE	HB	PRE-TIN × 18	PRE-TIN × 18	1~18 (全極)	1~18 (全極)	GREEN 緑色	8-173862-1
OBSOLETE	V-2	PRE-TIN × 18	PRE-TIN × 18	1~18 (全極)	1~18 (全極)	NATURAL 自然色	9-173862-1
OBSOLETE	HB	PRE-TIN × 18	PRE-TIN × 18	1~18 (全極)	1~18 (全極)	GRAY 灰色	7-173862-6
SEE CUSTOMER DRAWING 7-173862-1							
OBSOLETE	HB	TIN-LEAD	SELECTIVE GOLD × 2	11,12 (2極)	1~10,13~18 (16極)	NATURAL 自然色	6-173862-1
OBSOLETE	HB	TIN-LEAD	SELECTIVE GOLD × 4	1,3,9,13 (4極)	2,4~8,10~12,14~18 (14極)	GREEN 緑色	5-173862-4
OBSOLETE	HB	TIN-LEAD	SELECTIVE GOLD × 4	1,3,9,13 (4極)	2,4~8,10~12,14~18 (14極)	NATURAL 自然色	5-173862-1
OBSOLETE	HB	TIN-LEAD	SELECTIVE GOLD × 2	5,15 (2極)	1~4,6~14,16~18 (16極)	NATURAL 自然色	4-173862-1
OBSOLETE	HB	TIN-LEAD	SELECTIVE GOLD × 6	10~13,16,17 (6極)	1~9,14,15,18 (12極)	NATURAL 自然色	3-173862-1
OBSOLETE	HB	TIN-LEAD	SELECTIVE GOLD × 18	1~18 (全極)	1~18 (全極)	GREEN 緑色	2-173862-4
OBSOLETE	HB	TIN-LEAD	SELECTIVE GOLD × 18	1~18 (全極)	1~18 (全極)	NATURAL 自然色	2-173862-1
OBSOLETE	HB	TIN-LEAD	SELECTIVE GOLD × 2	8,18 (2極)	1~7,9~17 (16極)	NATURAL 自然色	1-173862-1
OBSOLETE	HB	PRE-TIN × 18	PRE-TIN × 18	-	1~18 (全極)	GRAY 灰色	173862-6
OBSOLETE	HB	PRE-TIN × 18	PRE-TIN × 18	1~18 (全極)	1~18 (全極)	BLUE 青色	173862-5
OBSOLETE	HB	PRE-TIN × 18	PRE-TIN × 18	-	1~18 (全極)	GREEN 緑色	173862-4
OBSOLETE	HB	SELECTIVE-TIN (MATTE)	SELECTIVE-TIN (BRIGHT)	-	1~18 (全極)	NATURAL 自然色	173862-3
OBSOLETE	HB	PRE-TIN × 18	PRE-TIN × 18	1~18 (全極)	1~18 (全極)	BLACK 黒色	173862-2
OBSOLETE	HB	PRE-TIN × 18	PRE-TIN × 18	-	1~18 (全極)	NATURAL 自然色	173862-1

TOLERANCE UNLESS OTHERWISE SPECIFIED:	
0 <= X <= 10	: ±0.2
10 <= X <= 30	: ±0.25
30 <= X <= 100	: ±0.3
ANGLE	: ±3°

THIS DRAWING IS A CONTROLLED DOCUMENT.		DWN T.SHINOHARA 15AUG05
DIMENSIONS: mm		CHK K.BETSUI 15AUG05
TOLERANCES UNLESS OTHERWISE SPECIFIED:		APVD K.BETSUI 15AUG05
0 PLC	±	NAME
1 PLC	±	070 SERIES MULTI-LOCK I/O CONNECTOR
2 PLC	±	18POSITION CAP HOUSING ASSEMBLY
3 PLC	±	PRODUCT SPEC
4 PLC	±	108-5216
ANGLES	±	APPLICATION SPEC
FINISH	±	SIZE
MATERIAL HSG; PBT CONTACT; BRASS	SEE TABLE	WEIGHT 9.6 g
		CAGE CODE A2 00779
		DRAWING NO C-173862
		RESTRICTED TO
		CUSTOMER DRAWING
		SCALE 2:1
		SHEET 1 of 1
		REV V7

TE TE Connectivity

070 SERIES MULTI-LOCK I/O CONNECTOR
18POSITION CAP HOUSING ASSEMBLY

SCALE 2:1 SHEET 1 of 1 REV V7