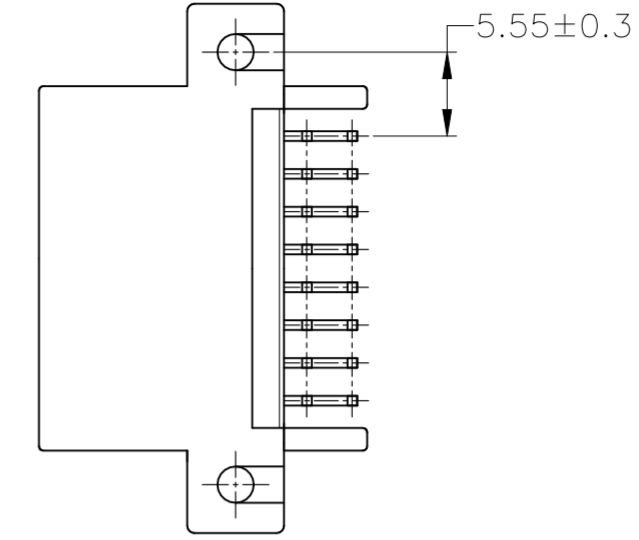
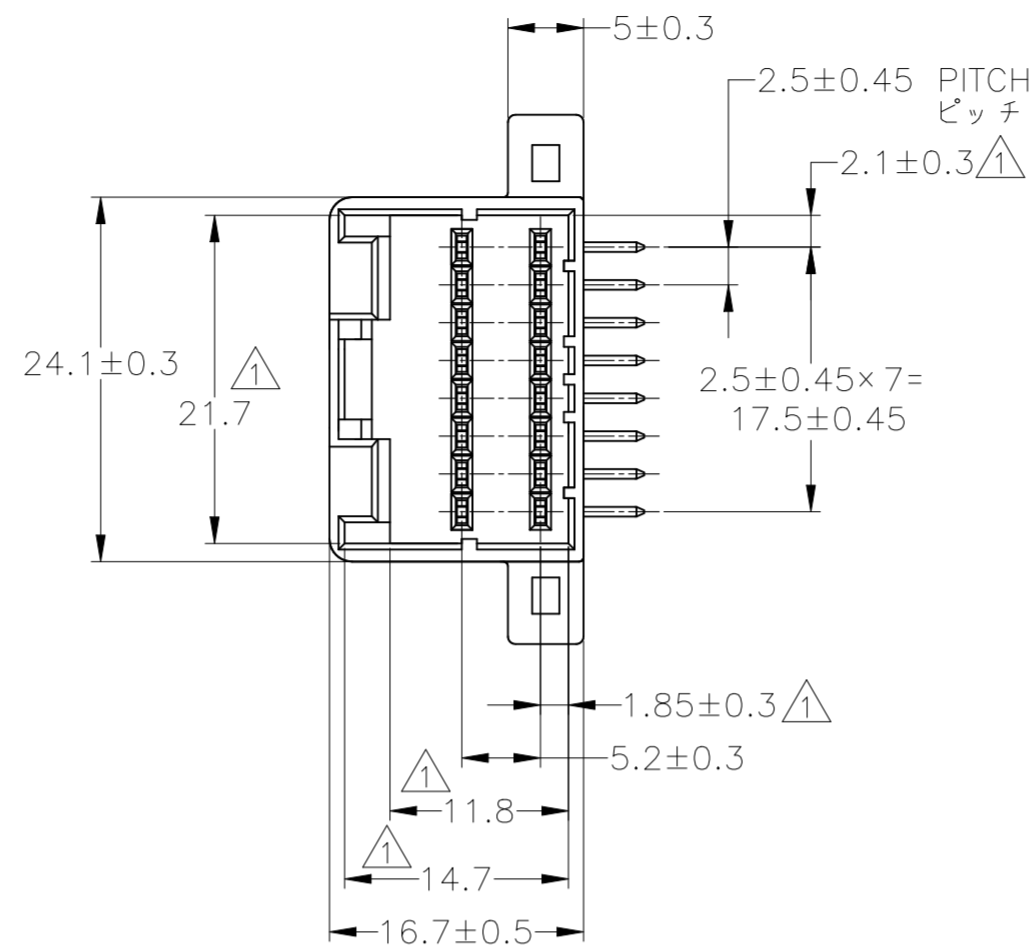
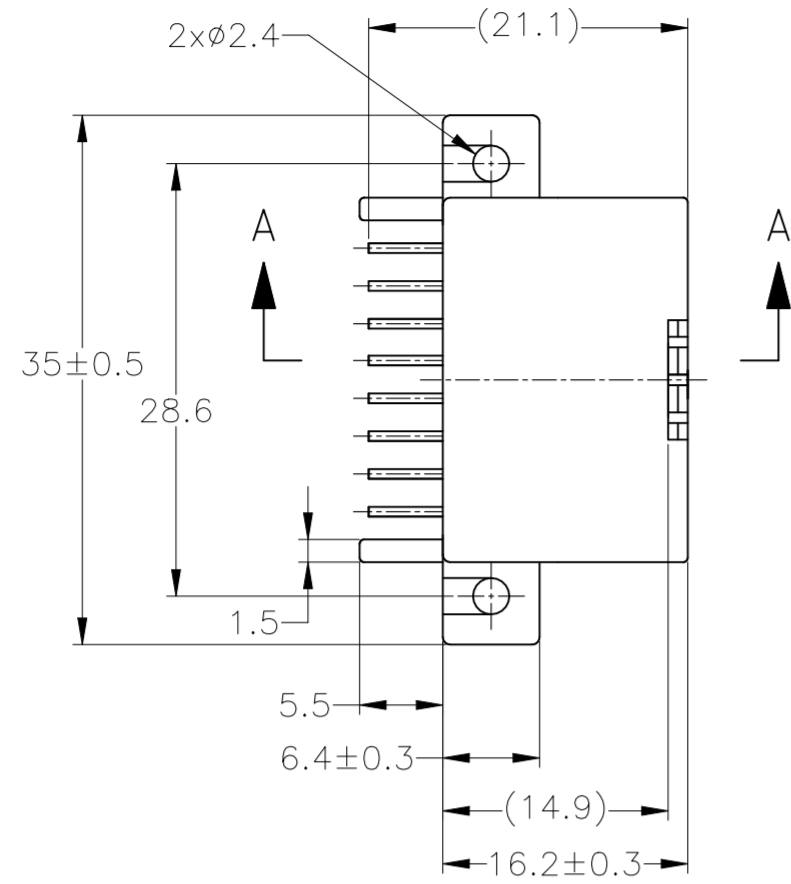
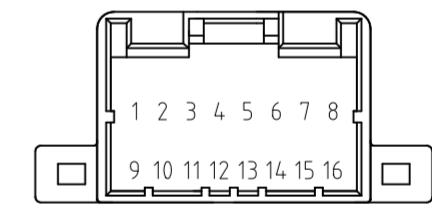
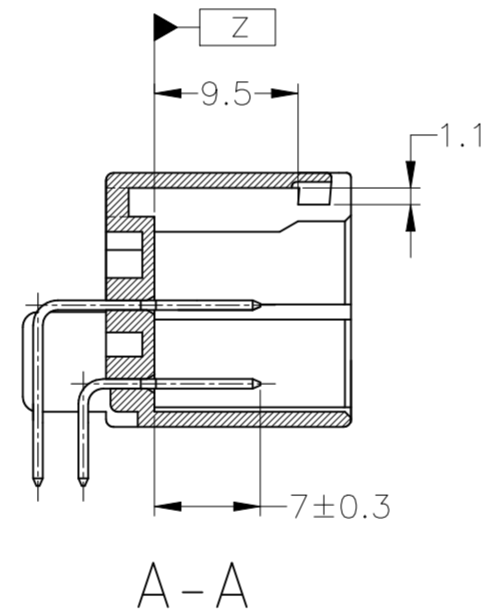
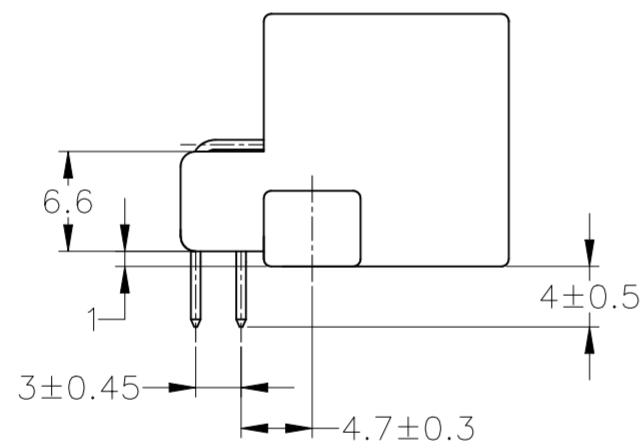


REVISIONS					
P	LTR	DESCRIPTION	DATE	DWN	APVD
	H6	REVISED PER ECR-22-153250	31OCT2022	RK	MT

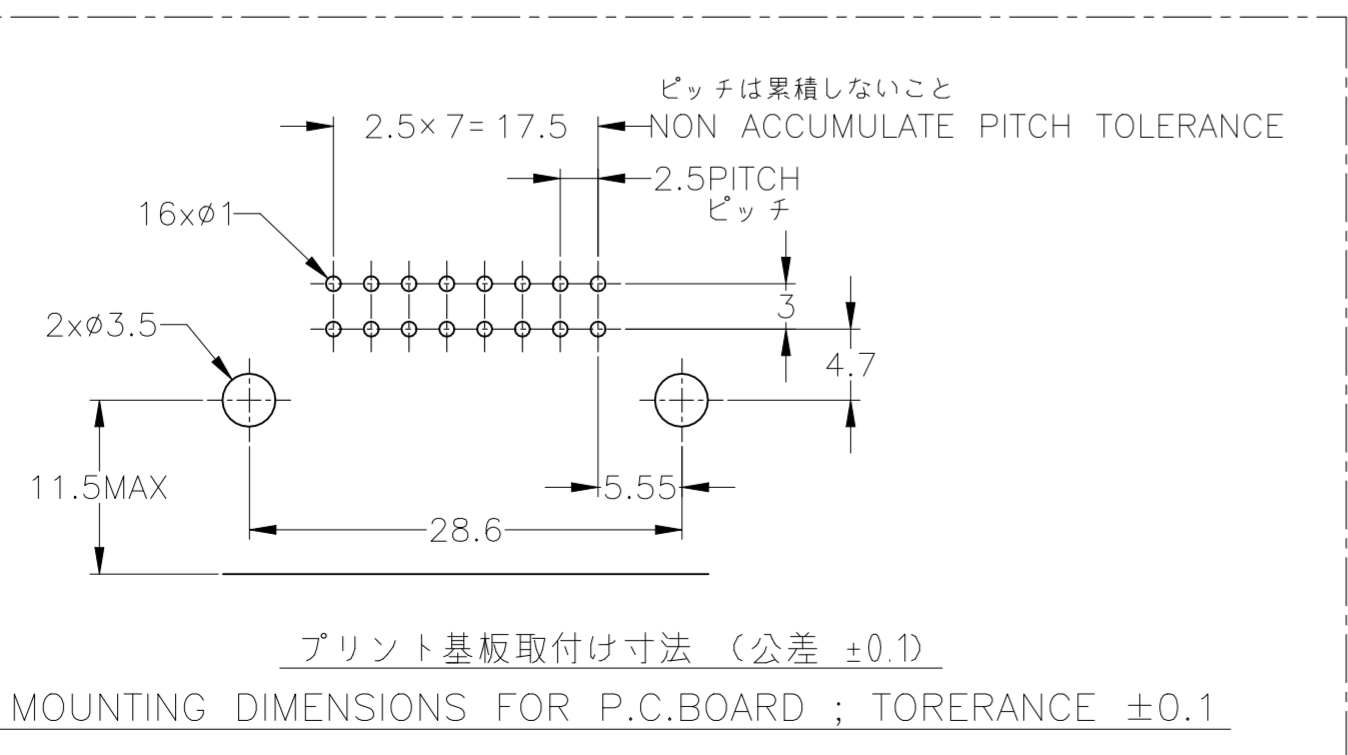


- △ Z面より2mmの範囲で測定。
- 2. 適用プリント基板厚: 1.6mm
- 3. 嵌合相手ハウジング型番: 174046
- 4. 推奨取付けねじ: JIS B1115, B1122 タッピンねじ, なべ2種 呼び径3, 長さ7mm以上 (締付けトルク: 0.4N-m以下)
- △ 回路番号: FIG.1 参照
- 6. 製品規格番号: 108-5244, 取扱説明書: 411-5883

- △ TO BE MEASURED WITHIN 2mm FROM Z
- 2. APPLICABLE P.C.BOARD THICKNESS: 1.6mm
- 3. THE MATING PLUG HOUSING PART NUMBER: 174046
- 4. RECOMMENDED MOUNTING SCREW: 3mm DIA, 7mm LENGTH (MIN.) PAN HEAD, CLASS 2 TAPPING SCREW SPRICIFIED IN JIS B1115, B1122 (TIGHTENING TORQUE: 0.4N-m MAX.)
- △ CIRCUIT NUMBER: SEE FIG.1
- 6. PRODUCT SPECIFICATION: 108-5244 INSTRUCTION SHEET: 411-5883



△ FIG.1



TOLERANCE UNLESS OTHERWISE SPECIFIED:  
一般公差

0 <= x <= 10	: ±0.2
10 <= x <= 30	: ±0.25
30 <= x <= 100	: ±0.3
ANGLE	: ±3°

THIS DRAWING IS A CONTROLLED DOCUMENT.

DIMENSIONS:	TOLERANCES UNLESS OTHERWISE SPECIFIED:
mm	0 PLC ±
	1 PLC ± -
	2 PLC ± -
	3 PLC ± -
	4 PLC ± -
	ANGLES ± -
MATERIAL:	FINISH:
HOUSING: PBT	SEE TABLE
CONTACT: BRASS	

SELECTIVE TIN (MATTE)	SELECTIVE GOLD x 16	1~16	BLACK 黒色	1-5174053-2
TIN-LEAD	SELECTIVE GOLD x 2	5,6	BLACK 黒色	3-174053-2
PRE-TIN x 14				2-174053-2
SEE DWG 2-174053-2				
OBSOLETE	TIN-LEAD	SELECTIVE GOLD x 16	BLACK 黒色	1-174053-2
OBSOLETE	PRE-TIN x 16		BLUE 青色	174053-5
	PRE-TIN x 16		GREEN 緑色	174053-4
	PRE-TIN x 16		BLACK 黒色	174053-2
SOLDERING SIDE 半田付け面	CONTACT SIDE 接触部側	GOLD PLATED CIRCUIT NO. 金めっき回路番号	COLOR 色	PART NUMBER 製品型番
CONTACT FINISH コンタクト仕上				
TE Connectivity				
040 SERIES MULTI-LOCK I/O CONNECTOR 16POSITION CAP HOUSING ASSEMBLY				
SIZE	CAGE CODE	DRAWING NO	RESTRICTED TO	
A2	00779	C=174053		
WEIGHT 8.4 g		SCALE 2:1	SHEET 1 of 1	REV H6
CUSTOMER DRAWING				