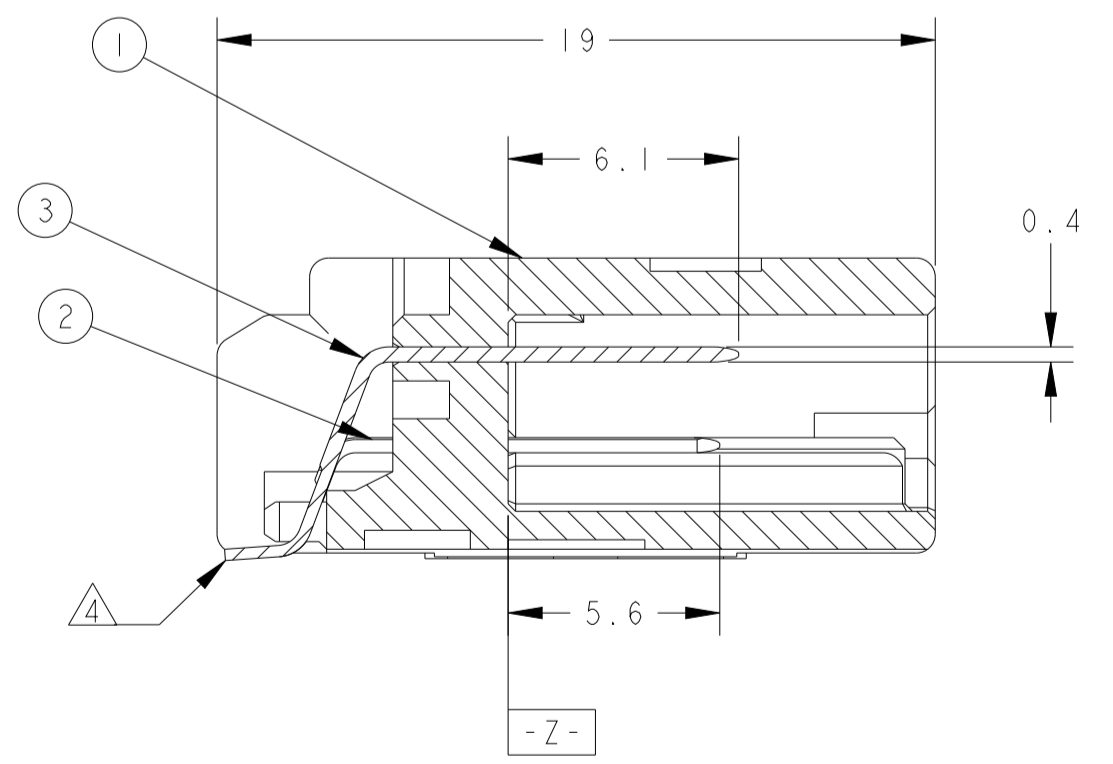
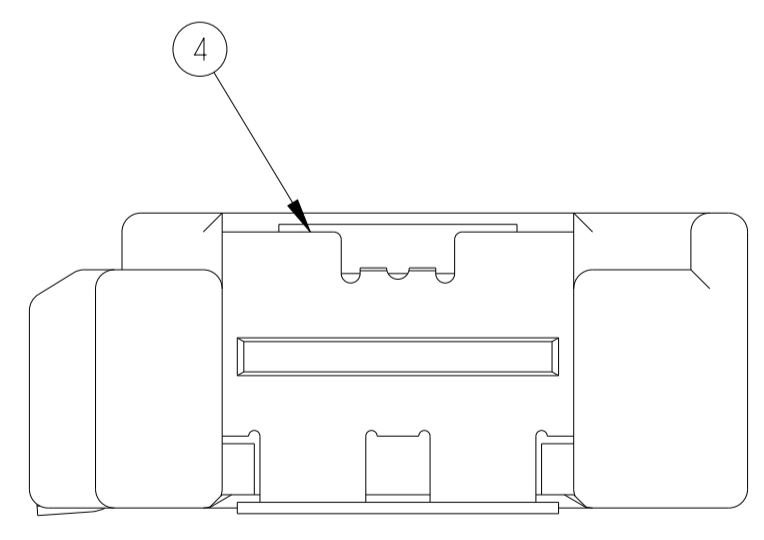
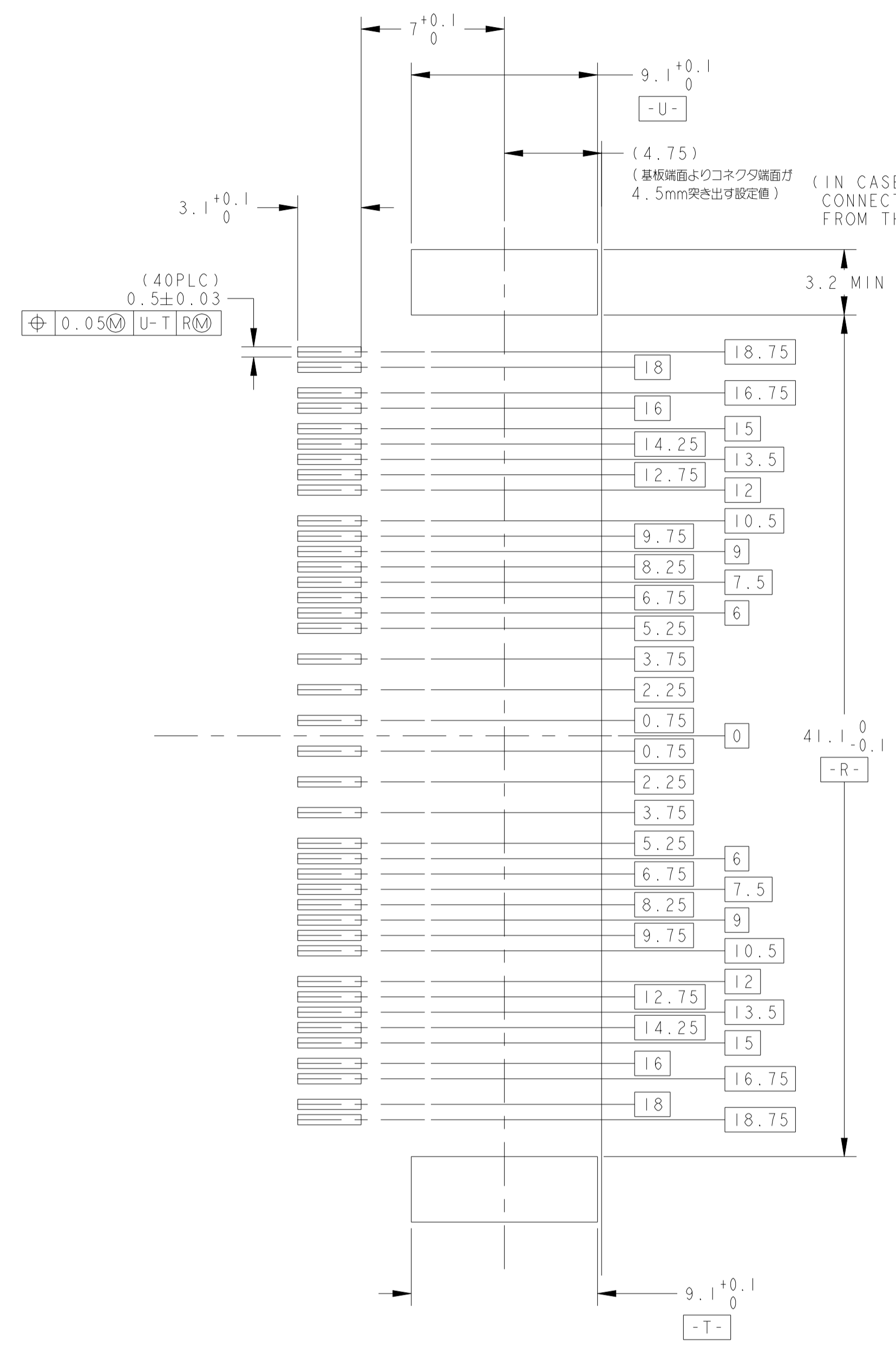
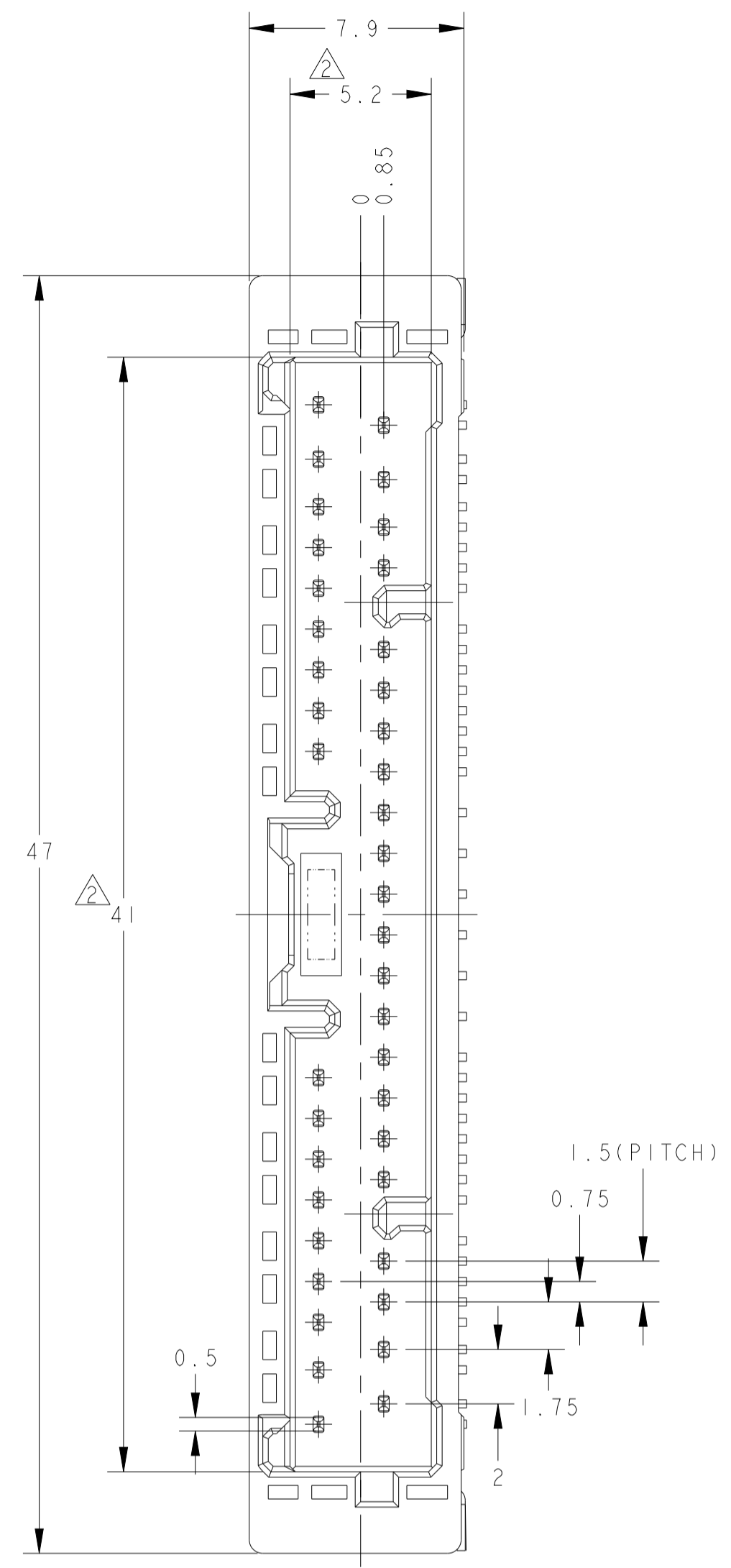
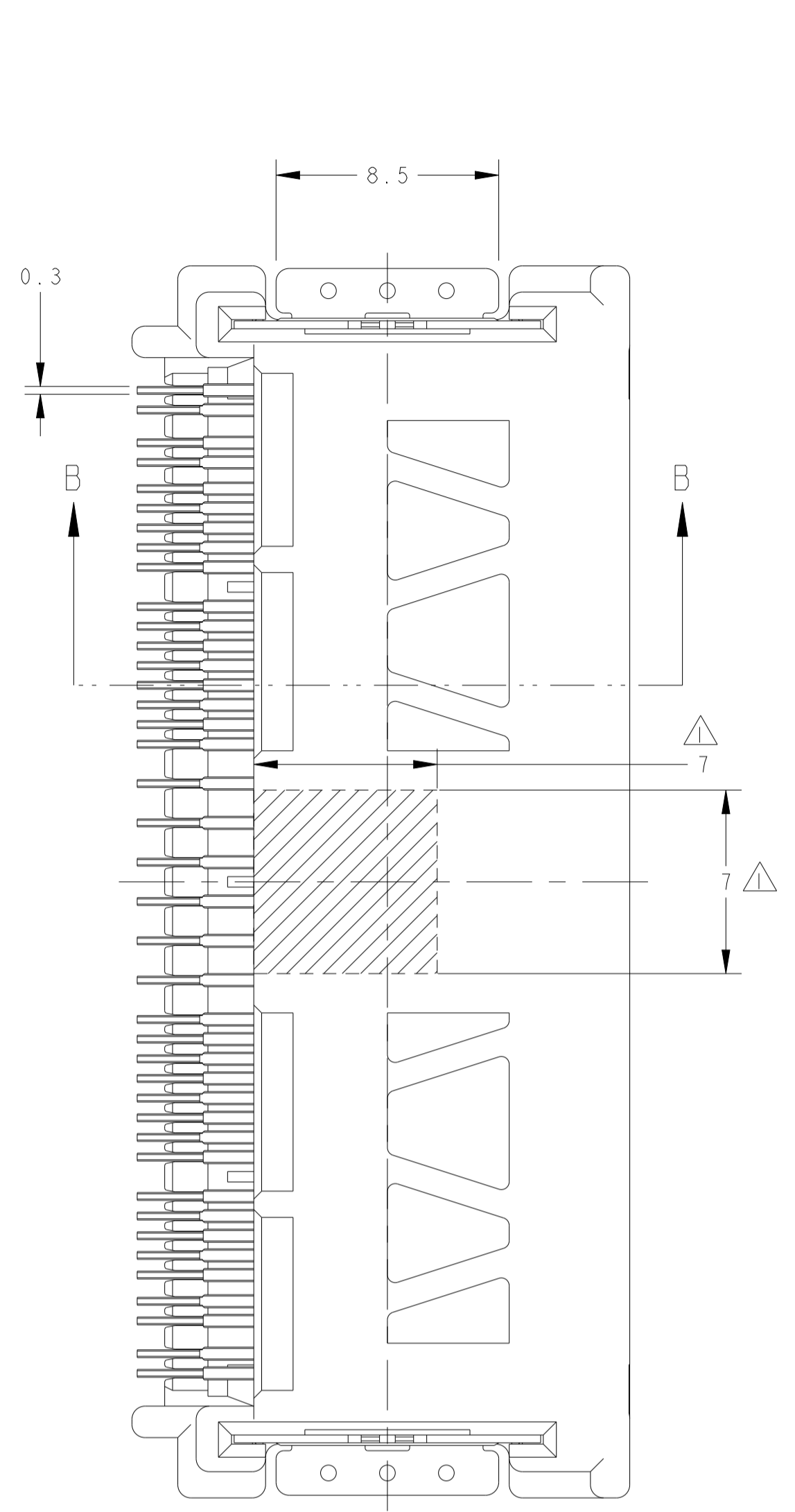


REVOLUTIONS		DATE	DWN	APVD
A	RELEASED	ECR-11-010057	18MAY11	YS HY
A1	ADD 1871806-5	ECR-16-006989	08JUN2016	AY RK
A2	REVISED	ECR-21-113122	05SEP2021	TM RK



プリント基板取付法
 DIMENSION FOR P.C. BOARD

- △ 吸着面。この範囲で吸着のこと
 ATTACHMENT SURFACE, ADSORB IT WITHIN THIS AREA.
- △ [-Z-] 面より6mmの位置で測定
 MEASURED AT 6mm FROM [-Z-]
- 3. 本製品の取扱は取扱説明書NO.411-78199に従うこと
 HANDLING OF THIS PART SHOULD FOLLOW THE INSTRUCTION SHEET NO.411-78199
- △ コプラナリティ 0.1 MAX
 COPLANARITY 0.1 MAX

PAPER BOX	ダンボール箱	PLASTIC BOX	通い箱	OUTER	外装	PACKING STYLE			梱包形態
HARD TRAY	ハードトレイ	HARD TRAY	ハードトレイ	INNER	内装				
2		2		POST-TIN		COPPER ALLOY	SOLDER PEG		4
18		18		POST-TIN		COPPER ALLOY	0.50 TAB (L)		3
22		22		POST-TIN		COPPER ALLOY	0.50 TAB (S)		2
1		1		NATURAL		LCP GF40%	40P CAP HSG BOSS TYPE		1
1871806-5		1871806-1		COLOR/FINISH		MATERIAL	NAME		No

THIS DRAWING IS A CONTROLLED DOCUMENT. DWN: Y. SUEMITSU 18MAY11, CHK: R. KOMIYAMA 18MAY11, APVD: H. YAMAGAMI 18MAY11

TE Connectivity

NAME: CAP ASSEMBLY 40POS, SMT TYPE, KEY TYPE-A, NON BOSS TYPE, 0.50 SERIES CONNECTOR

SIZE: 114-5379, CAGE CODE: 00779, DRAWING NO: 1871806, WEIGHT: 5.15g

SCALE: 1:1, SHEET: 1 OF 1, REV: A2