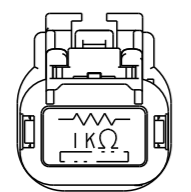
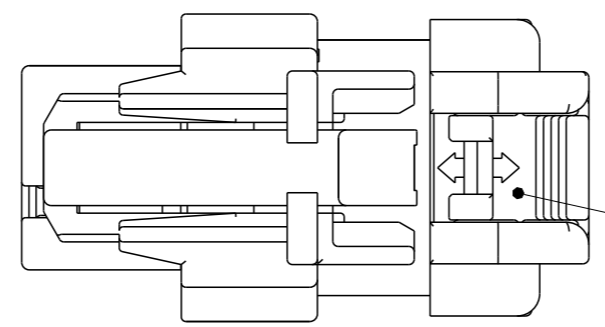


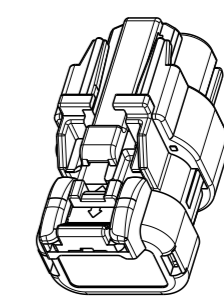
P	LTR	DESCRIPTION	DATE	DWN	APVD
	A	RELEASED	16 JUL 2008	S. K	S. M
	AI	REVISED ECR-24-201161	08 FEB 2024	KF	TK



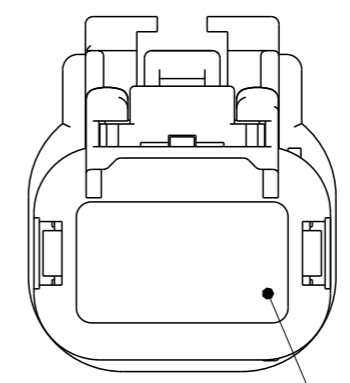
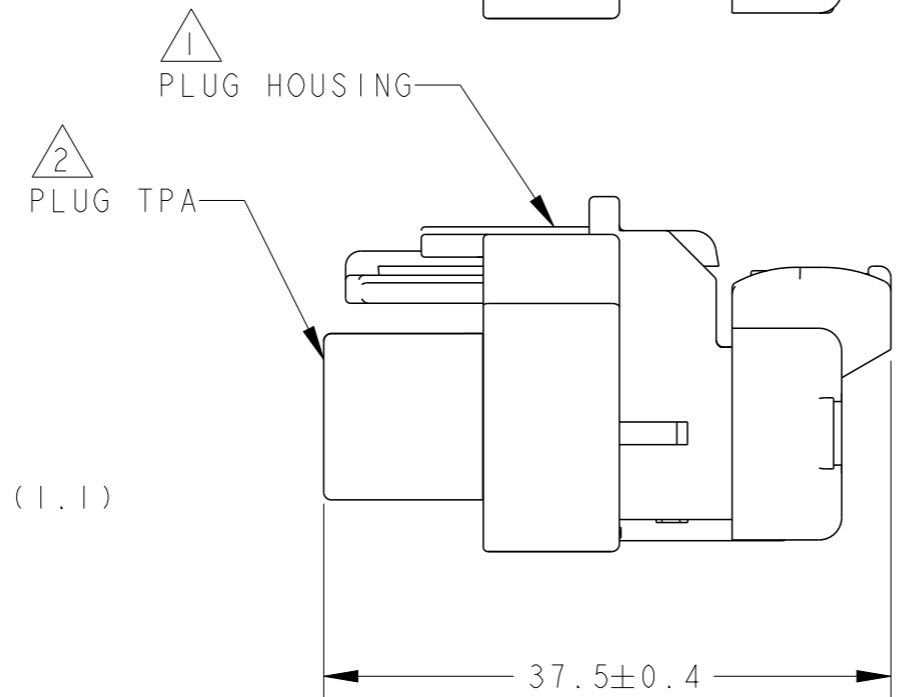
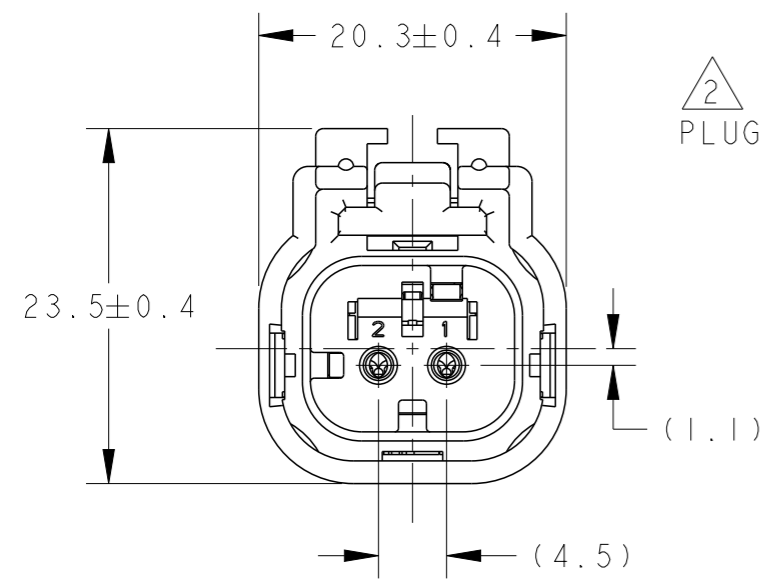
2040278-2
SCALE 1:1



CPA (2)
(PRE-STAGED CONDITION)



SCALE 1:1



RESISTANCE LABEL

- 1 MATERIAL: 15% GLASS FILLED THERMOPLASTIC
COLOR: BLACK
- 2 MATERIAL: 15% GLASS FILLED THERMOPLASTIC
COLOR: RED
- 3. MATERIAL OF SEAL : SILICONE

0.5W/120Ω	2040278-2
RESISTANCE	PART No.

THIS DRAWING IS A CONTROLLED DOCUMENT.

DIMENSIONS: 單位: 毫 mm	TOLERANCES UNLESS OTHERWISE SPECIFIED: 一般公差 ± -
	0 PLC ±
	1 PLC ±0.5
	2 PLC ±0.13
	3 PLC ±0.013
	4 PLC ±0.0001
	ANGLES ±-
MATERIAL 材料 SEE NOTE	FINISH 仕上 SEE NOTE

DWN	S. KUBOTA	16 JUL 2008
CHK	T. KUDO	16 JUL 2008
APVD	S. MANABE	16 JUL 2008
PRODUCT SPEC	製品規格	
APPLICATION SPEC	取付適用規格	
WEIGHT	-	
CUSTOMER DRAWING		

WIRE RANGE 抱合電線断面積 -		INSULATION DIA 被覆外径 -	
TE TE Connectivity			
NAME 名称 PLUG ASSY AMPSEAL 16 RESISTANCE-PLUG 2P			
SIZE	CAGE CODE	DRAWING NO 番号	RESTRICTED TO
A3	00779	C-2040278	-
SCALE 尺度 2:1		SHEET 1 OF 1	REV AI