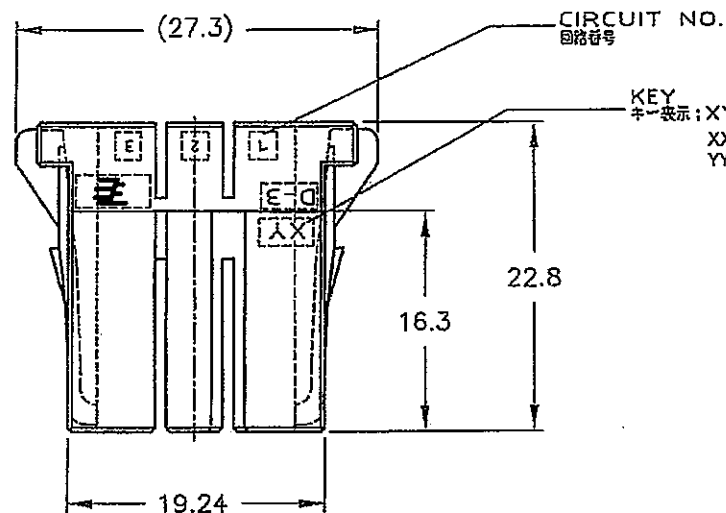


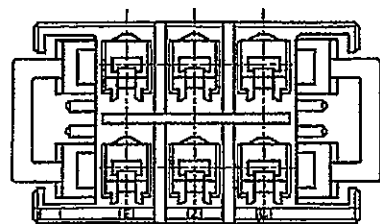
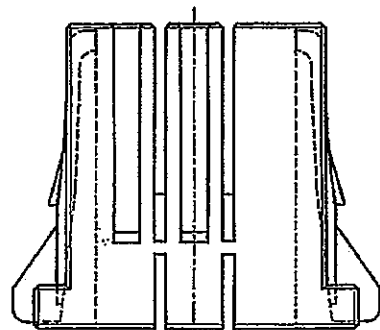
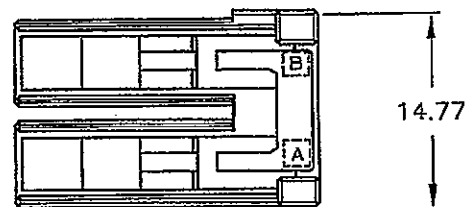
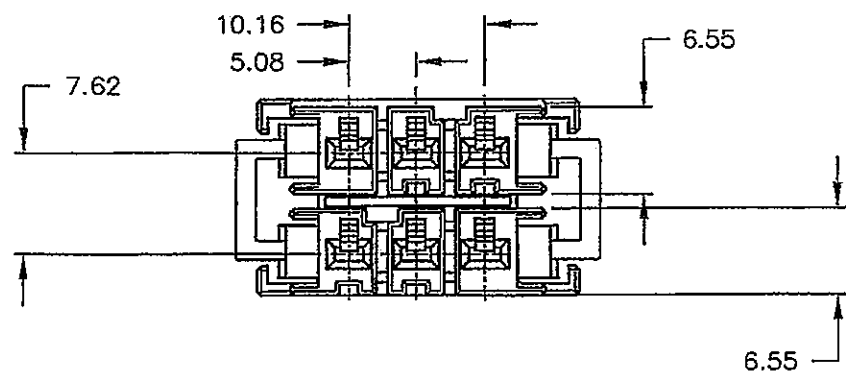
LOC	DIST	REVISIONS			
P	LTR	DESCRIPTION	DATE	DWN	APVD
J	-	A	RELEASE	11MAY2010	T.K N.Y



CIRCUIT NO.  
回路番号  
KEY  
キ一表示: XY (NOT YET)  
XX: 1-2069882-6  
YY: NOT YET

AS SHOWN : XY-KEY (NOT YET)

NOTE  
 1. MATERIAL : GLASS FILLED THERMO PLASTIC POLYESTER (UL-94V-0)  
 COMPARATIVE TRACKING INDEX : MATERIAL GROUP II (CTI=II) OR MORE  
 CTI=400 OR MORE  
 COLOR : NATURAL



CIRCUIT NO.  
回路番号

	XX	1-2069882-6
KEYING LOCATION	KEY	PART NUMBER

<small>THIS DRAWING IS A CONTROLLED DOCUMENT FOR TYCO ELECTRONICS CORPORATION                  IT IS SUBJECT TO CHANGE AND THE CONTROLLING ENGINEERING ORGANIZATION                  SHOULD BE CONTACTED FOR THE LATEST REVISION.</small>		DWN T.KUDO 11MAY2010	Tyco Electronics Corporation Kawasaki, Japan	
DIMENSIONS: mm		CHK N.YAMASAKI 11MAY2010	NAME DYNAMIC D3200 MODULAR TYPE REC HSG , 6POS (CTI=II)	
TOLERANCES UNLESS OTHERWISE SPECIFIED: $\pm 0.3, \pm 3^\circ$		APVD N.YAMASAKI 11MAY2010	DRAWING NO A300779C-2069882	
0-PLC $\pm$ 1-PLC $\pm 0.5$ 2-PLC $\pm 0.13$ 3-PLC $\pm 0.013$ 4-PLC $\pm 0.0001$ ANGLES $\pm$		PRODUCT SPEC 108-5849-1	RESTRICTED TO -	
MATERIAL SEE NOTE		APPLICATION SPEC 114-5148	SCALE	
FINISH -		WEIGHT 4.66g	SHEET OF REV A	
		CUSTOMER DRAWING		