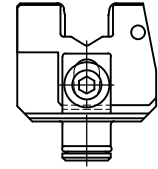
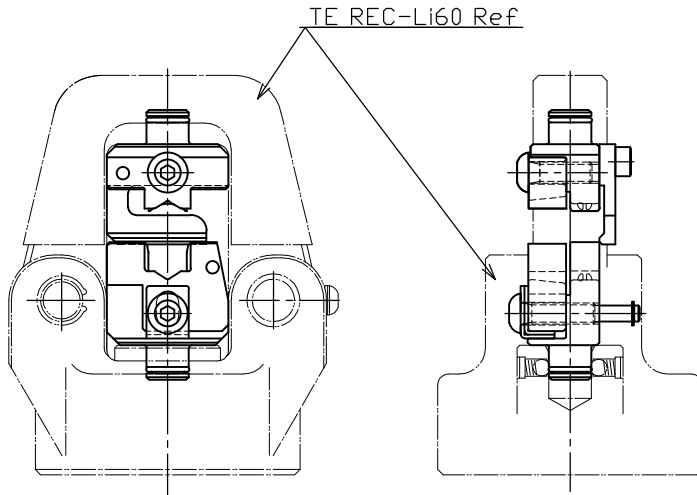


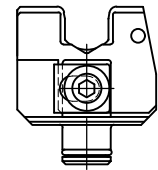
REVISIONS

P	LTR	DESCRIPTION	DATE	DWN	APVD
	A3	ECR-19-016281 Remove note Restrict sales	23OCT2019	S.N	J.S

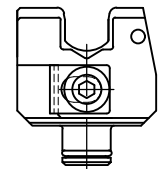
PART NUMBER	WIRE RANGE	TERMINAL	REMARKS
2155401-1	AWG 12-10	PIDG	TE REC-Li60



POSITION 1

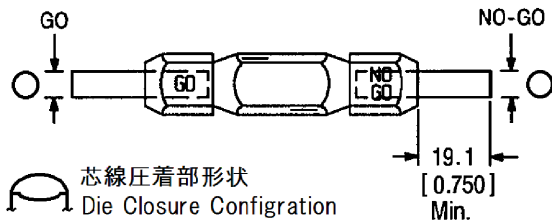


POSITION 2



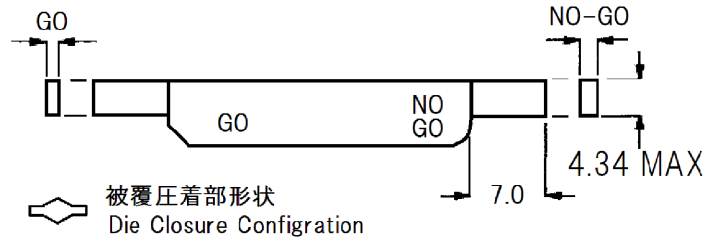
POSITION 3

芯線圧着部ゲージ寸法
Wire Barrel Crimp Section



ゲージ寸法 GAGE ELEMENT DIM.	
GO	NO-GO
4.293-4.300	4.442-4.445

被覆圧着部ゲージ寸法
Insulation Barrel Crimp Section



ゲージ寸法 GAGE ELEMENT DIM.	
GO	NO-GO
1.626-1.633	2.131-2.134

RELEASED FOR PUBLICATION
 ALL RIGHTS RESERVED.
 DRG 47808-6 Rev E2, DRG 408-1632 Rev C
 THIS DRAWING IS UNPUBLISHED.
 COPYRIGHT - By Tyco Electronics Japan G.K.

DIMENSIONS: mm	DWN S.NAKA 22MAY2013	MATERIAL COMMERCIAL ITEM	FINISH -
	CHK S.NAKA 22MAY2013	TE Connectivity Ltd.	
TOLERANCES UNLESS OTHERWISE SPECIFIED:	APVD J.KOGA 22MAY2013		
	0 PLC ± - 1 PLC ± - 2 PLC ± - 3 PLC ± - 4 PLC ± - ANGLES ± -	PRODUCT SPEC -	SIZE A4
	APPLICATION SPEC -	DRAWING NO C-2155401	RESTRICTED TO -
	WEIGHT 65g	SCALE - SHEET 1 OF 1 REV A3	
CUSTOMER DRAWING			