

THIS DRAWING IS UNPUBLISHED.

RELEASED FOR PUBLICATION

SEP .02

LOC J

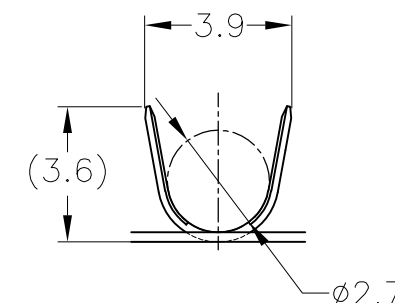
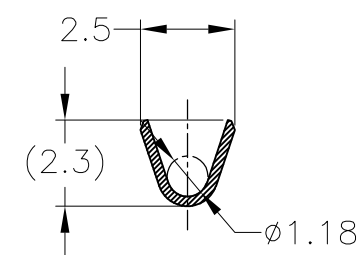
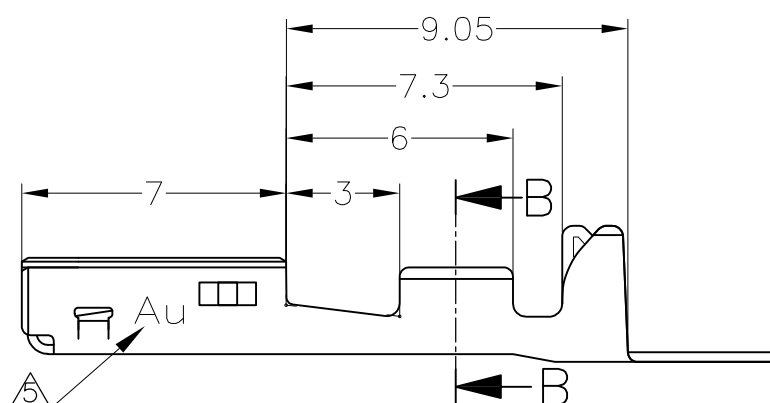
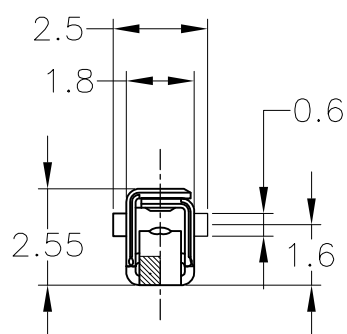
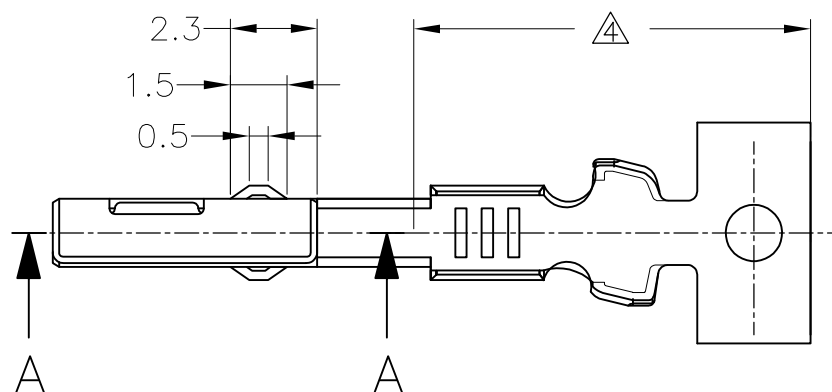
DIST -

REVISIONS

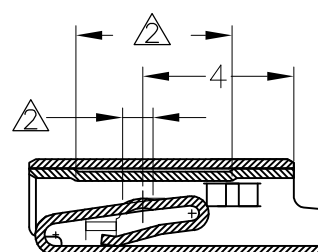
© COPYRIGHT 2015 Tyco Electronics Japan G.K.

ALL RIGHTS RESERVED.

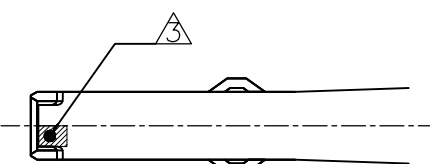
P	LTR	DESCRIPTION	DATE	DWN	APVD
B1	REVISED	ECR-15-018400	22DEC15	KK	RK



B-B



A-A



1. 適用電線: AVSS,CAVS 0.3~0.5mm

△ 金めっき範囲 (接触面のみ)

③ 識別用金めっき

④ すずめっき範囲

△ 識別用刻印

1. APPLICABLE WIRE RANGE: AVSS,CAVS 0.3~0.5mm

△ GOLD PLATING AREA (CONTACT SIDE ONLY)

③ GOLD PLATING FOR DISCERNMENT

④ TIN PLATING AREA

△ MARKING FOR IDENTIFICATION

SELECTIVE GOLD/TIN (部分金めっき/すずめっき)	316833-2
FINISH (仕上)	PART NUMBER (型番)

THIS DRAWING IS A CONTROLLED DOCUMENT.		DWN H.YAMAGAMI 24SEP96	STE TE Connectivity		
DIMENSIONS: mm		CHK T.KOHNO 25APR96			
TOLERANCES UNLESS OTHERWISE SPECIFIED: 一般公差		APVD N.SAI 25APR96	NAME 040III SEALED CONTACT, RECEPTACLE (S) Au		
10 ≥ : ±0.2 30 ≥ >10 : ±0.25 100 ≥ >30 : ±0.3 ANGLE : ±3°		PRODUCT SPEC -	APPLICATION SPEC 114-5227		
MATERIAL Cu ALLOY 銅合金		FINISH SEE TABLE	WEIGHT 0.3 g	SIZE A3	CAGE CODE 00779
CUSTOMER DRAWING			DRAWING NO C-316833	RESTRICTED TO -	SCALE 5:1
			SHEET 1 OF 1	REV B1	