

LOC J	DIST —	REVISIONS 変更			
P	LTR	DESCRIPTION	DATE	DWN	APVD
	A	RELEASED	01SEP05	MK	KB

SEE CUSTOMER DWG
1318813

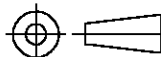

THIS DRAWING IS UNPUBLISHED.

ALL RIGHTS RESERVED.

BY TYCO ELECTRONICS CORPORATION.

© COPYRIGHT

THIS DRAWING IS UNPUBLISHED.

DIMENSIONS: 単位： 特 mm TOLERANCES UNLESS OTHERWISE SPECIFIED: 一般公差 0 PLC ± - 1 PLC ± - 2 PLC ± - 3 PLC ± - 4 PLC ± - ANGLES ± - 	DWN M.KADOSAKI 01SEP2005	MATERIAL 材料	FINISH 仕上		
	CHK T.SHINOHARA 01SEP05	 Tyco Electronics AMP K.K. Kawasaki, Japan			
	APVD K.BETSUI 01SEP05				
	PRODUCT SPEC 製品規格	NAME 名称	025/040 EFI ECU CONNECTOR 167 POSITION CAP HOUSING ASSEMBLY		
APPLICATION SPEC 取付適用規格	SIZE A4	CAGE CODE 00779	DRAWING NO 番号 6318813-3	RESTRICTED TO —	
WEIGHT	CUSTOMER DRAWING		SCALE 尺度 1:1	SHEET 1 OF 1	REV A