

|          |           |                 |         |     |      |
|----------|-----------|-----------------|---------|-----|------|
| LOC<br>J | DIST<br>— | REVISIONS<br>変更 |         |     |      |
| P        | LTR       | DESCRIPTION     | DATE    | DWN | APVD |
|          | A         | RELEASED        | 19JUN06 | TS  | KB   |

SEE CUSTOMER DRAWING  
1437288-6

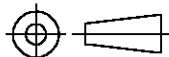

RELEASED FOR PUBLICATION

ALL RIGHTS RESERVED.

BY TYCO ELECTRONICS CORPORATION.

THIS DRAWING IS UNPUBLISHED.

© COPYRIGHT

|   |                                 |  |                    |                               |                    |
|---|---------------------------------|--|--------------------|-------------------------------|--------------------|
| DIMENSIONS:<br>単位： 特<br>mm<br><br>TOLERANCES UNLESS<br>OTHERWISE SPECIFIED:<br>一般公差<br><br>0 PLC ± -<br>1 PLC ± -<br>2 PLC ± -<br>3 PLC ± -<br>4 PLC ± -<br>ANGLES ± -<br><br> | DWN<br>T.SHINOHARA<br>19JUN06   | MATERIAL<br>材料<br>—  | FINISH<br>仕上<br>—  |                               |                    |
|   | CHK<br>K.BETSUI<br>19JUN06      |  Tyco Electronics AMP K.K.<br>Kawasaki, Japan |                    |                               |                    |
|   | APVD<br>K.BETSUI<br>19JUN06     |  |                    |                               |                    |
|   | PRODUCT SPEC<br>製品規格<br>—       | NAME<br>名称<br>WATER SEALED CONNECTOR<br>CAP HOUSING 26POS ASSEMBLY   |                    |                               |                    |
|   | APPLICATION SPEC<br>取付適用規格<br>— | SIZE<br>A4   | CAGE CODE<br>00779 | DRAWING NO<br>番号<br>6437288-6 | RESTRICTED TO<br>— |
| WEIGHT<br>—   | CUSTOMER DRAWING                |  | SCALE<br>尺度<br>1:1 | SHEET<br>1 OF 1               | REV<br>A           |