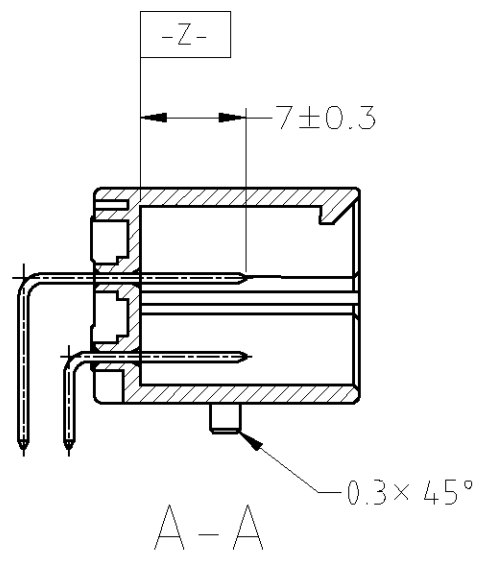
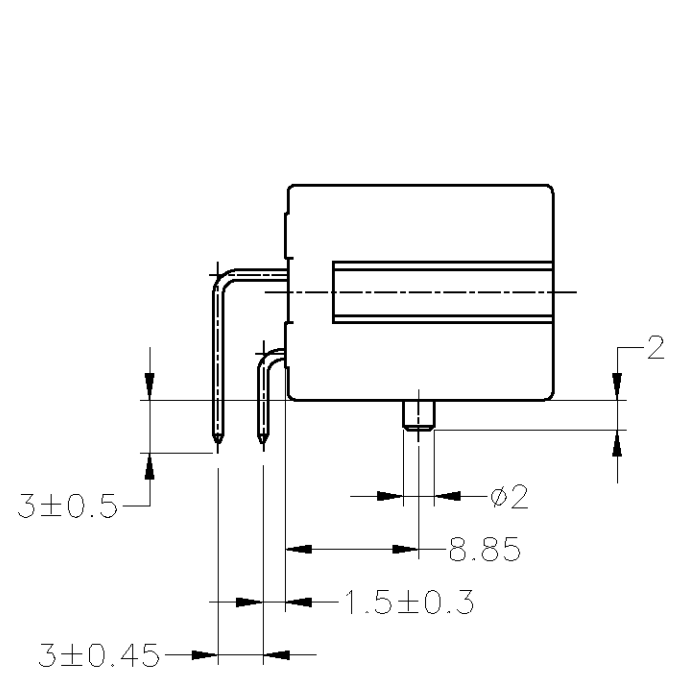
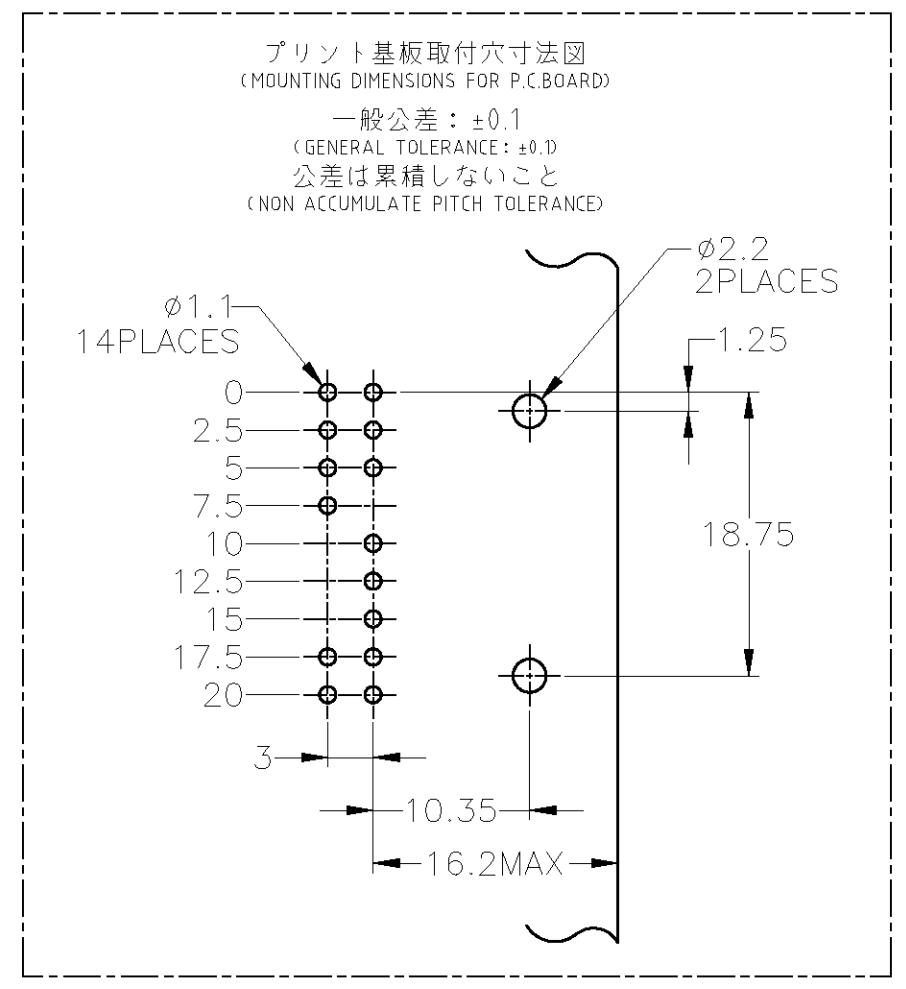
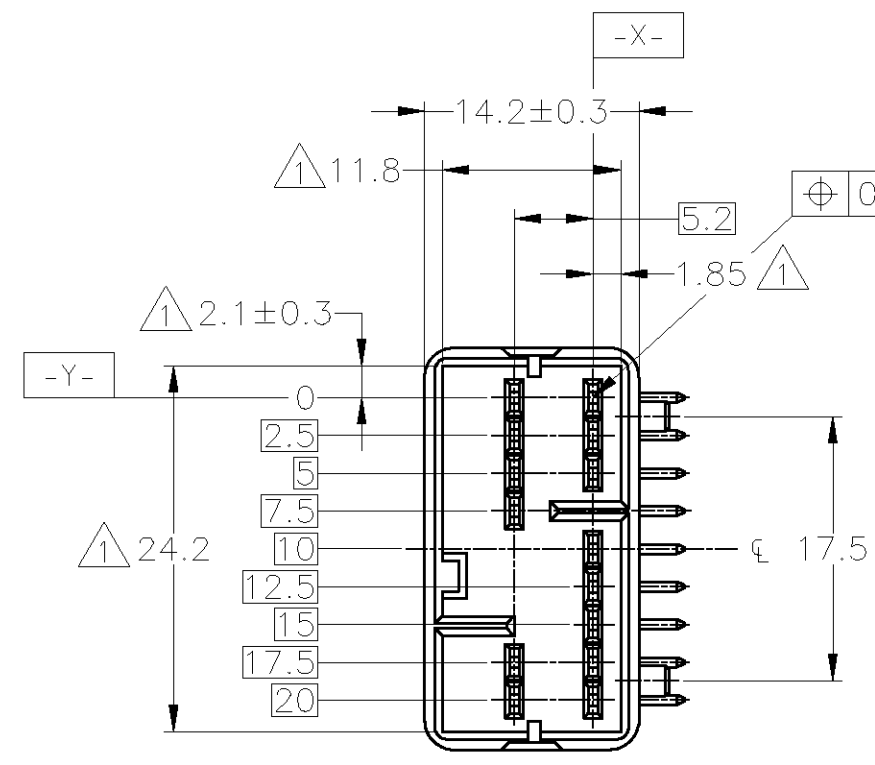
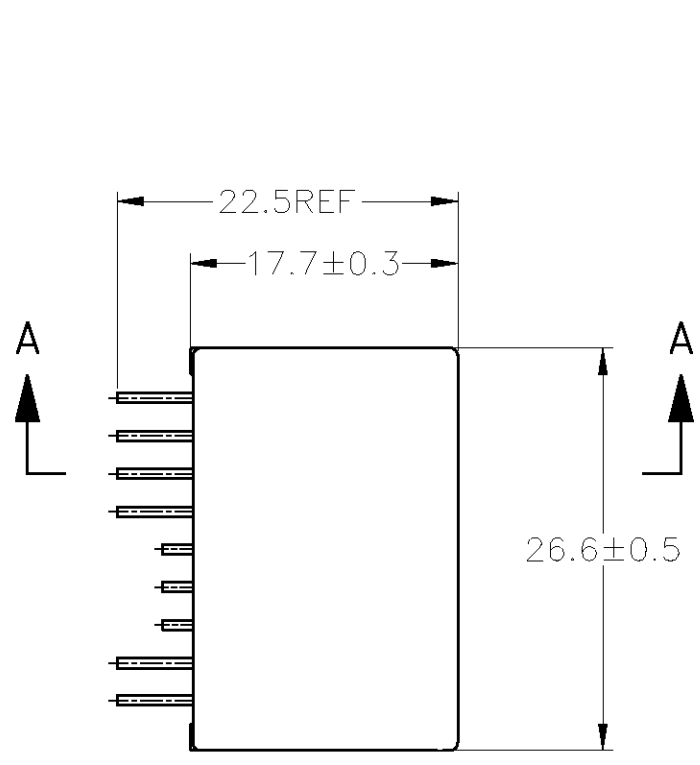


THIS DRAWING IS UNPUBLISHED. RELEASED FOR PUBLICATION  
 © COPYRIGHT - By Tyco Electronics JAPAN G.K. ALL RIGHTS RESERVED.

LOC	DIST	REVISIONS			
P	LTR	DESCRIPTION	DATE	DWN	APVD
J	-	A	REDRAWN W/CHANGE	ECR-13-002015	11MAR2013 TS KB



- 1. MUST BE KEPT BETWEEN  $\square$ -Z- AND 2
  - 2. RECOMMENDED MOUNTING SCREW; 3mm DIA, 6mm LENGTH (MAX.)  
 PAN HEAD, CLASS 2 TAPPING SCREW SPECIFIED IN JIS B1115, B1122  
 (TIGHTENING TORQUE; 0.4N-m MAX.)
  - 3. THE MATING PLUG HOUSING NUMBERS: 917531
- 1.  $\square$ -Z- 面から 2mm の範囲で測定
  - 2. 推奨取付ねじ: JIS B1115, B1122 タッピンねじ, なべ 2種  
 呼び径 3, 長さ 6mm 以下 (締付けトルク; 0.4N-m 以下)
  - 3. 嵌合相手ハウジング型番: 917531

NATURAL	917534-1
COLOR	PART NUMBER

TOLERANCE UNLESS OTHERWISE SPECIFIED:  
 一般公差

0 < x ≤ 10	±0.2
10 < x ≤ 30	±0.25
30 < x ≤ 100	±0.3
ANGLE	±3°
角度	

THIS DRAWING IS A CONTROLLED DOCUMENT.

DIMENSIONS:	TOLERANCES UNLESS OTHERWISE SPECIFIED:
mm	0 PLC ± -
	1 PLC ± -
	2 PLC ± -
	3 PLC ± -
	4 PLC ± -
	ANGLES ± -
MATERIAL	FINISH
HOUSING; PBT	PRE-TINNED
CONTACT; BRASS	

DWN	T. SHINOHARA	04FEB2013
CHK	K. BETSUI	04FEB2013
APVD	K. BETSUI	04FEB2013
PRODUCT SPEC	108-5470	
APPLICATION SPEC	-	
WEIGHT	-	

<b>STE</b> TE Connectivity		NAME	
		040 SERIES MULTI-LOCK CONNECTOR 14 POSITION CAP HOUSING ASSEMBLY	
SIZE	CAGE CODE	DRAWING NO	RESTRICTED TO
A3	00779	C-917534	-
CUSTOMER DRAWING		SCALE	SHEET
		2:1	1 OF 1
		REV	A