



# HARTMAN K200 SERIES

200 A, 28 VDC CONTACTORS

The lightweight and highly efficient 200 A power switching solution for harsh 28 VDC aerospace and defense applications

# HARTMAN K200 SERIES CONTACTORS

Lightweight and Efficient Power Switching Solutions

K200 Series contactors are among the smallest, lightest 200-A contactors currently available in the aerospace industry. They are designed for use in DC power distribution systems for commercial aircraft and for military aircraft and ground vehicles.

The K200 Series are single-pole, single-throw (SPST), normally open contactors for 28 VDC power systems. Options include chassis or bus bar mounting and auxiliary contacts.

**TE Components . . . TE Technology . . . TE Know-how . . .**

AMP | Agastat | CII | Hartman | Kilovac | Microdot | Nanonics | Polamco | Raychem | Rochester | DEUTSCH  
SEACON Phoenix | L.L. Rowe | Phoenix Optix | AFP | SEACON

Get your product to market faster with a smarter, better solution.



## SAVES SPACE AND WEIGHT

- Among the smallest and lightest 200 A aerospace-quality contactors available
- High-quality materials to help withstand harsh environments

## RUGGED

- Environmentally sealed
- -55° to +85°C temperature range
- Shock and vibration resistant

## CAPABLE

- SPST, normally open
- 28 Vdc
- 200 A make/carry/break
- 1200 A inrush
- 2000 A maximum interrupt

## LOW POWER CONSUMPTION

- Electronically economized to reduce power

## MECHANICAL/ENVIRONMENTAL

- **Operating Temperature:** -55°C to +85°C
- **Weight:**  
 K200A1C: 0.33 lbs (150 g)  
 K200B1C: 0.29 lbs (132 g)  
 K200A3C: 0.43 lbs (195 g)  
 K200B3C02: 0.40 lbs (181 g)

## ELECTRICAL

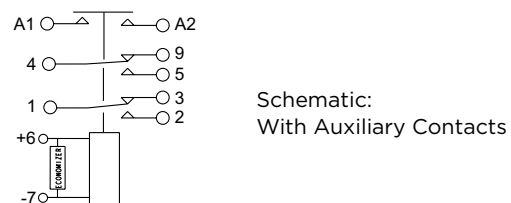
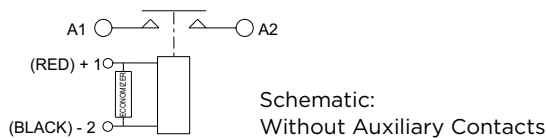
- **Main Contacts:** 28 VDC SPST Normally Open, Double Make
- **Auxiliary Contacts:** two-pole, double-throw
- **Economizer:** Electronically controlled
- **Full Rupture Capability:** 2000 A (50 cycles per MIL-PRF-6106)
- **Electrical Life:**  
 At Full Rated Resistive Load: 50,000 cycles  
 At 25% Rated Resistive Load: 100,000 cycles
- **Altitude:** 50,000 feet max.
- **Current:**  
 Resistive Load: 200 A  
 Motor Load: 1200 A/200 A (inrush/carry)  
 Rupture: 2000 A

## COIL DATA

- **Nom. Operate Voltage:** 28 Vdc  
 Pickup Voltage: 18 Vdc max.  
 Drop Voltage: 1-9 Vdc  
 Pickup Time: 15 ms  
 Dropout Time: 15 ms
- **Coil Current:**  
 Inrush: 5 A max. at 28 Vdc and 25°C  
 Holding: 300 mA max. at 28 Vdc and 25°C  
 Suppression: 45 Vdc

## STANDARDS/SPECIFICATIONS (For Design/Performance/Verification Guidelines)

- **MIL-PRF-6106P:** General Performance Specification for Electromechanical Relays
- **MIL-STD-202H:** Test Method for Electronic and Electrical Component Parts
- **RTCA/DO-160F:** Environmental Conditions and Test Procedures for Airborne Equipment



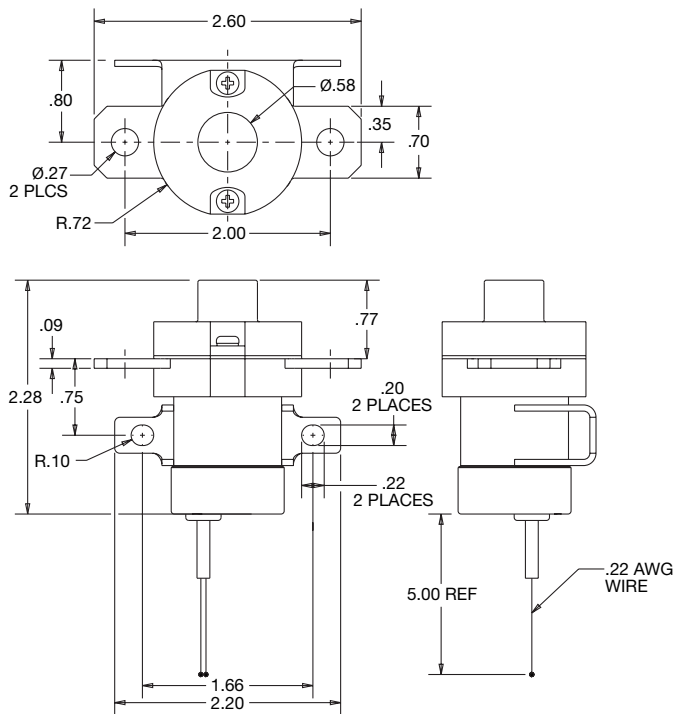
## ORDERING INFORMATION

Model	Mounting	Aux. Contacts	Part No.
K200A1C	Chassis	No	5-1616970-9
K200A3C	Chassis	Yes	8-1616977-1
K200B1C	Bus Bar	No	6-1616970-0
K200B3C02	Bus Bar	Yes	4-1616968-7

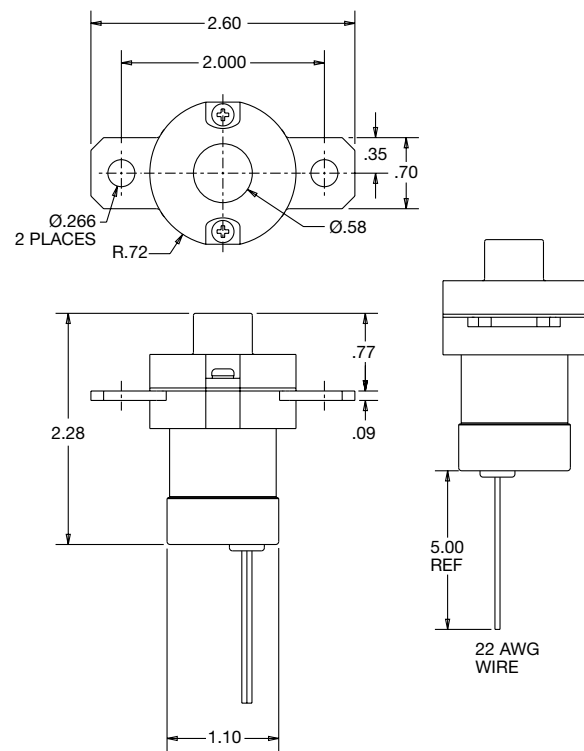


Contactors without Auxiliary Contacts

Chassis Mount



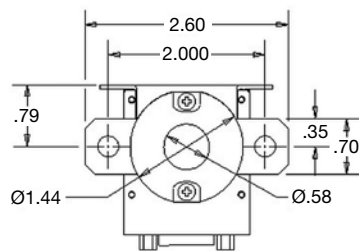
Bus Bar Mount



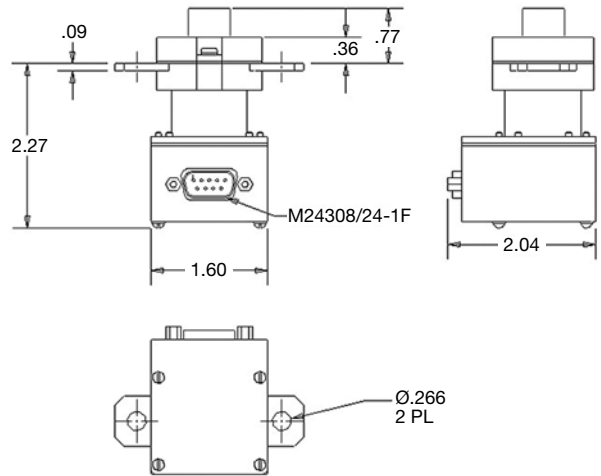
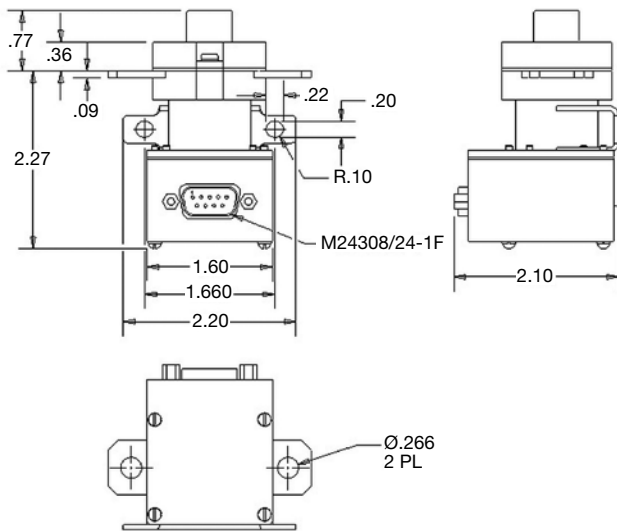
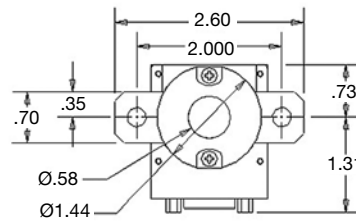
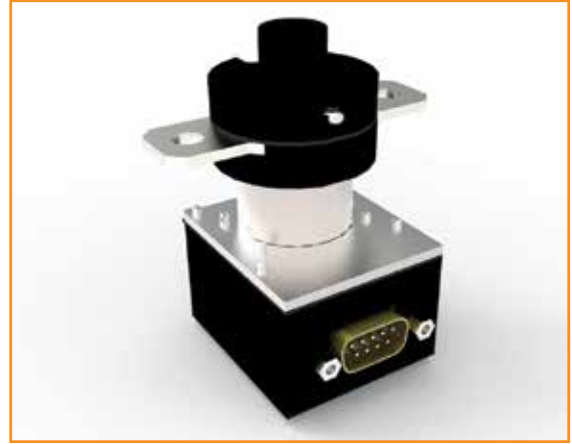


Contactors with Auxiliary Contacts

Chassis Mount



Bus Bar Mount



## LET'S CONNECT

We make it easy to connect with our experts and are ready to provide all the support you need. Just call your local support number or visit [www.te.com/industrial](http://www.te.com/industrial) to chat with a Product Information Specialist.

## Technical Support

[te.com/support-center](http://te.com/support-center)

North America	+1 800 522 6752	Asia Pacific	+86 400 820 6015
North America (Toll)	+1 717 986 7777	Japan	044 844 8180
EMEA/South Africa	+800 0440 5100	Australia	+61 2 9554 2695
EMEA (Toll)	+31 73 624 6999	New Zealand	+64 (0) 9 634 4580
India (Toll-Free)	+800 440 5100		

[te.com/k200-relay](http://te.com/k200-relay)

HARTMAN, TE, TE Connectivity and the TE connectivity (logo) are trademarks of the TE Connectivity Ltd. family of companies. Other products, logos, and company names mentioned herein may be trademarks of their respective owners.

While TE has made every reasonable effort to ensure the accuracy of the information herein, nothing herein constitutes any guarantee that such information is error-free, or any other representation, warranty or guarantee that the information is accurate, correct, reliable or current. The TE entity issuing this publication reserves the right to make any adjustments to the information contained herein at any time without notice. All implied warranties regarding the information contained herein, including, but not limited to, any implied warranties of merchantability or fitness for a particular purpose are expressly disclaimed. The dimensions herein are for reference purposes only and are subject to change without notice. Specifications are subject to change without notice.

Consult TE for the latest dimensions and design specifications.

© 2016 TE Connectivity Ltd. family of companies All Rights Reserved.

1-1773871-4 07/16 Original