

SEACON GLOBE-CON Electrical Dry-Mate Connectors

GLOBE-CON Electrical Dry-Mate Connectors
Offers Sturdy and Robust Connectivity
Solutions for Harsh Underwater Applications

SEACON

GLOBE-CON Electrical Dry-Mate Connectors

Sturdy and Robust Connectivity Solutions for Harsh Underwater Applications

KEY FEATURES

- Dry-mate connector
- 2 shell sizes (G, K) & 3 different contact configurations
- Up to 12 contacts
- Up to 10,000 psig mated (approx. 22,500ft/7,000m)
- 300 VDC
- Up to 2.5 amps
- Overmold & cable option available (corrosion resistance)
- Materials suitable for caustic environments
- Brass standard, stainless steel optional
- Rubber jacketed cable as standard
- Suitable for use in high vibration applications
- Typical uses: Lights, cameras and Remotely Operated Vehicles (ROV)'s or where size is a concern



TE Connectivity (TE)'s SEACON GLOBE-CON series is a small diameter, dry-mate connector.

The Bulkhead Connector Receptacle (BCR) has a GRE (Glass Reinforced Epoxy) insert with a metal shell and utilizes gold plated contacts and fluoroelastomer o-rings. The Cable Connector Plug (CCP) is also manufactured from GRE and is molded in neoprene to standard or custom cable lengths upon request, although other component materials are available for high temperature and high pressure applications. This connector design also incorporates a spring ring device to improve reliability in high vibration environments.

APPLICATION

- Underwater Cameras and Lights
- ROV's
- Diver Communications
- Telecommunications/Broadcasting Systems
- Sensors
- Digital Data Transmission and Acquisition

SPECIFICATIONS

- **Open Face Pressure:** Up to 10,000 psi by special order
- **Mated Pressure:** 10,000 psi (700 bar)
- **Voltage Rating:** 300 VDC
- **Insulation Resistance:** >200 megohms @ 300 VDC
- **Operating Temperature:** 25° to 140°F (-4° to 60°C) - Higher temperature versions are available by special order. Please contact TE Connectivity (TE) for further details
- **Bulkhead Mounting Torque:** GLOBG 12 inch lbs
GLOBK 30 inch lbs

TORQUE VALUES REFERS TO INSTALLATION INTO DRY METAL THREADS

- **Mating Cycles with No Changes in Resistance or IR Reading:** 250

TE Components . . . TE Technology . . . TE Know-how . . .

AMP | AGASTAT | CII | HARTMAN | KILOVAC | MICRODOT | NANONICS | POLAMCO | Raychem

SEACON | Rochester | DEUTSCH

Empower Engineers to Solve Problems, Moving the World Forward.



MATERIALS

- **Bulkhead Body:** GRE/316 Stainless Steel Shell
- **CCP:** GRE/Neoprene Overmold. Other materials are available upon request for high pressure applications
- **DSR:** 316 Stainless Steel
- **DSP:** Glass Reinforced Epoxy
- **Contacts:** Brass-gold plated
- **O-Ring:** Fluoroelastomer
- **Engaging Nut:** Copper Alloy 630
- **Hook-Up Wire:** TFE insulated wire
- **Standard Length:** 18 inches
- **Spiral Ring:** 17-7PH
- **Washer:** Nylon 101
- **Retaining Ring:** 316 Stainless Steel

TESTING

The GLOBE-CON series has undergone a number of qualification tests including:-

- Insulation resistance testing at >200 megohms @ 300 VDC
- Pressure testing to 10,000 psi
- Durability testing with 250 mate and de-mate cycles with no change in conductor or insulation resistance readings

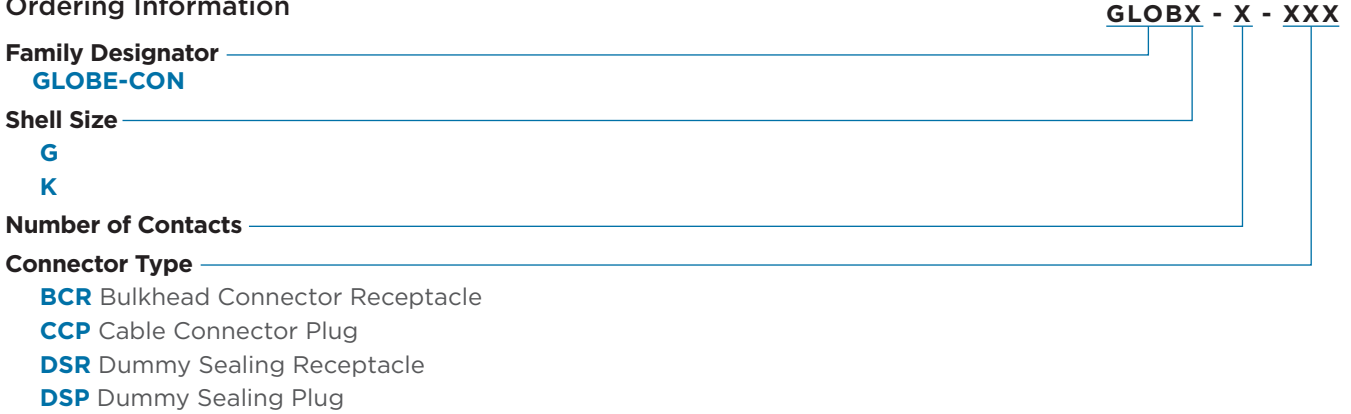
Notes:

- * Contact TE for special order materials.
- ** Incorporation of special order cables will be determined on a case by case basis.
- *** Cables are supplied with overall shield and are not connected.

Connectors are designed for installation onto 1 atmosphere vessels. Please contact TE for recommendations if using compensated vessels.

GLOBE-CON Connectors

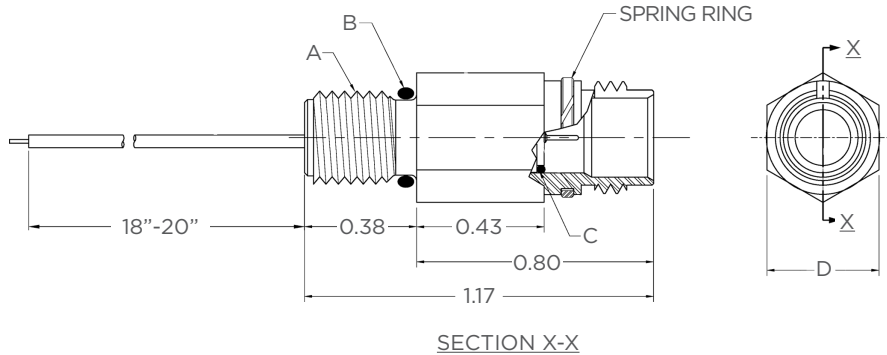
Ordering Information





GLOB-BCR

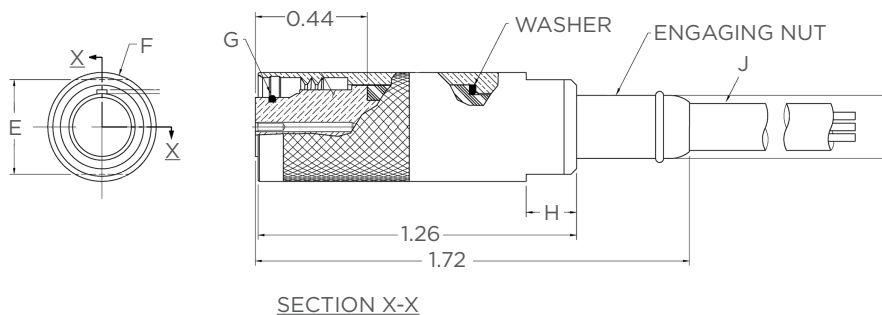
Bulkhead Connector Receptacle



Shell Size	A SAE Thread	B O-Ring	C O-Ring	D Hex Flats (In)	Part Number
G	5/16-24 UNF-2A	06-10239-2	06-10193-2	0.37	GLOBG-X-BCR
K	3/8-24 UNF-2A	06-10301-2	06-10315-2	0.50	GLOBK-X-BCR

GLOB-CCP

Cable Connector Plug



Shell Size	E Ø (In)	F Ø (In)	G O-Ring	H Length (In)	I Ø (In)	J - Std./Max. Cable Ø	Part Number
G	0.37	0.43	06-10193-2	0.200	0.26	#28 AWG 0.182 STD/0.190MAX*	GLOBG-X-CCP
K	0.50	0.56	06-10315-2	0.250	0.37	#22 AWG 0.200 STD/0.250 MAX* #28 AWG 0.215 STD/0.250 MAX*	GLOBK-X-CCP

Notes:

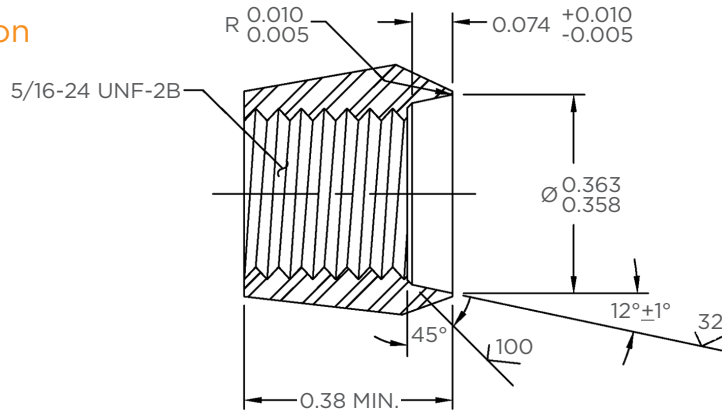
- * Incorporation of special cables will be determined on a case by case basis.



Interface Details

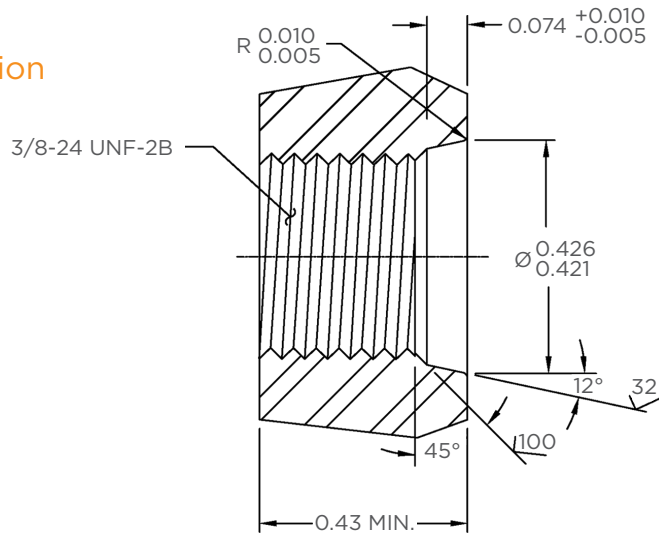
GLOBG-BCR

Threaded Mounting Information



GLOBK-BCR

Threaded Mounting Information



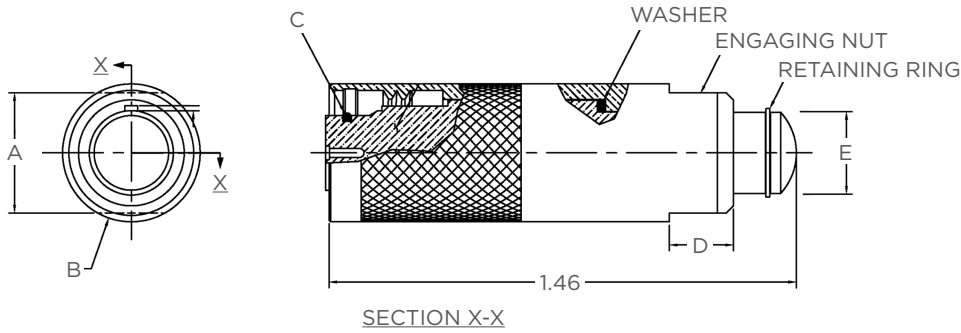
Note:

- For Boss dimensions, please reference SAE J1926 and MS16142 of the Parker O-Ring Handbook.



GLOB-DSP

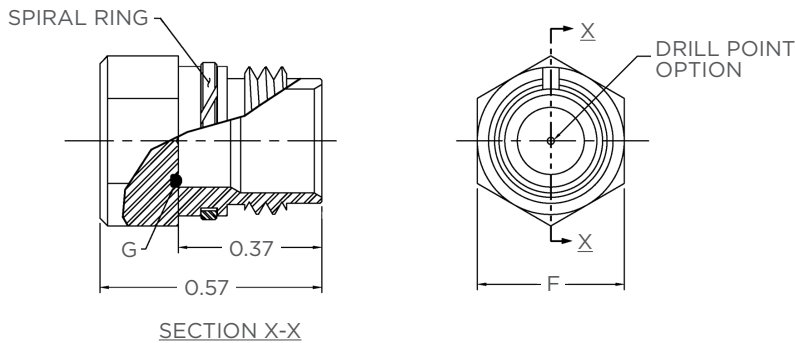
Dummy Sealing Plug



Shell Size	A Ø (In)	B Ø (In)	C O-Ring	D Length (In)	E Ø (In)	Part Number
G	0.37	0.43	06-10193-2	0.200	0.26	GLOBG-X-DSP
K	0.50	0.56	06-10315-2	0.250	0.37	GLOBK-X-DSP

GLOB-DSR

Dummy Sealing Receptacle



Shell Size	F Hex Flats (In)	G O-Ring	Part Number
G	0.37	06-10193-2	GLOBG-X-DSR
K	0.50	06-10315-2	GLOBK-X-DSR

Notes:

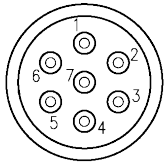
- * Incorporation of special cables will be determined on a case by case basis.



Contact Configurations

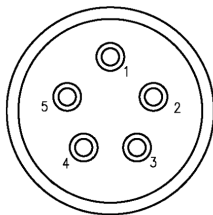
BCR Face View Only* - Not to Scale

G

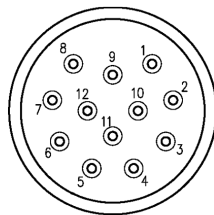


GLOBG-7#28

K



GLOBK-5#22



GLOBK-12#28

Notes:

- * For CCP face view contact configurations available please contact TE.

LET'S CONNECT

We make it easy to connect with our experts and are ready to provide all the support you need. Just call your local support number or visit www.te.com/industrial to chat with a Product Information Specialist.

TECHNICAL SUPPORT

te.com/support-center

US Inside Sales:

Phone: +1 619-562-7071

Email: elcajonsales@te.com

Phone: +1 979-865-8846

Email: bellvillesales@te.com

Phone: +1 401-637-4952

Email: eastcoastsales@te.com

North America +1 800 522 6752

North America (Toll) +1 717 986 7777

EMEA/South Africa +800 0440 5100

EMEA (Toll) +31 73 624 6999

India (Toll-Free) +800 440 5100

UK Inside Sales:

Phone: +44 (0) 1493-652733

Email: gtyarmouthsales@te.com

France Inside Sales:

Phone: +33 2 43 61 45 45

Email: offshore-ckb@te.com

Brazil Inside Sales:

Phone: +55 21 3592-0920

Email: simone.carvalho@te.com

te.com/MOG

AMP, AGASTAT, CII, DEUTSCH, HARTMAN, KILOVAC, MICRODOT, NANONICS, POLAMCO, Raychem, SEACON, TE, TE Connectivity and the TE connectivity (logo) are trademarks of TE Connectivity. Other products, logos, and company names mentioned herein may be trademarks of their respective owners.

While TE Connectivity (TE) has made every reasonable effort to ensure the accuracy of the information herein, nothing herein constitutes any guarantee that such information is error-free, or any other representation, warranty or guarantee that the information is accurate, correct, reliable or current. The TE entity issuing this publication reserves the right to make any adjustments to the information contained herein at any time without notice. All implied warranties regarding the information contained herein, including, but not limited to, any implied warranties of merchantability or fitness for a particular purpose are expressly disclaimed. The dimensions herein are for reference purposes only and are subject to change without notice. Specifications are subject to change without notice.

Consult TE for the latest dimensions and design specifications.

© 2020 TE Connectivity All Rights Reserved.

2359236-1 02/20 Original