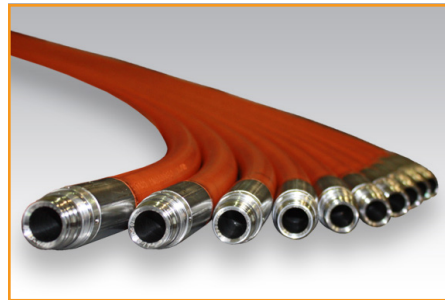


SEACON

Jumper Assembly

Pressure Balanced Oil Filled Cabling Solutions



FIELD RELIABILITY

- Temperature and pressure compensated
- Tested to 450 bar
- Ozone protection

EASE OF USE

- Designed for ROV handling
- Good ROV maneuverability during connector mating
- Deployment techniques similar to jacketed cable

PULL TESTED

- Each assembly tension tested at 3750 N
- High visibility, orange in color
- Two layer design with tension and pressure armor in between

Rugged Durability that Runs Deep

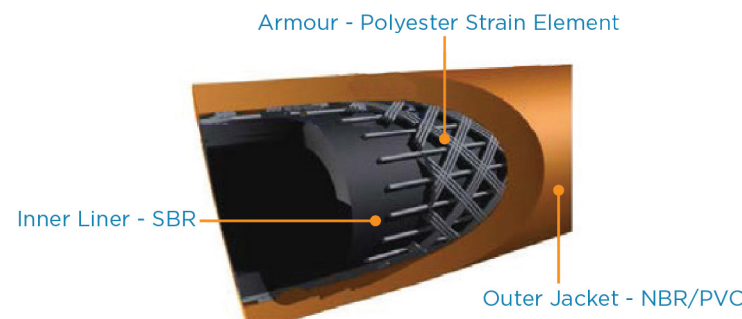
Subsea jumper assemblies and distribution harnesses are provided by TE Connectivity (TE)'s SEACON for use with subsea connectors. Many subsea electrical and optical cable and connection systems utilize Pressure Balanced Oil Filled (PBOF) cabling solutions. These hoses and junction boxes utilize an elastomeric tube as a conduit for electric wires and fiber optic lines. The elastomeric conduit is filled with a compensating fluid, allowing the sea pressure to equalize the pressure differential within the interior oil volume.

Reliable Operation

This option for cabling helps to provide a reliable and configurable cable system suitable for many subsea applications. This technology has been widely utilized in ocean science observatories, towed arrays, drilling systems, production control systems and Remotely Operated Vehicle (ROV) systems to name a few. PBOF solutions have become a critical component in many subsea systems today and TE's SEACON is pleased to offer this solution with its subsea fiber optic and electrical connectors.

SPECIFICATIONS

- **Design Life:** > 25 years in operation subsea
- **Volume compensation capacity:** >12%
- **Break Load by Tension:** Approx. 10,000 N (break at end terminations)
- **Operating Temperature:** -5°C to +40°C
- **Storage Temperature:** -40°C to +70°C
- **Compatibility:** Seawater, Silicone Fluid
- **Dimensions: Inner:** 13mm and 20mm
Outer: 25mm and 32mm
- **Hose Materials: Inner Liner** - SBR (Styrene-Butadiene Rubber)
Outer Jacket - NBR (Nitrile Butadiene Rubber)
PVC (Polyvinyl Chloride)
Armour - Polyester Strain Element



TE Components . . . TE Technology . . . TE Know-how . . .

AMP | AGASTAT | CII | HARTMAN | KILOVAC | MICRODOT | NANONICS | POLAMCO | Raychem

SEACON | Rochester | DEUTSCH

Empower Engineers to Solve Problems, Moving the World Forward.

LET'S CONNECT

We make it easy to connect with our experts and are ready to provide all the support you need. Just call your local support number or visit www.te.com/industrial to chat with a Product Information Specialist.

Technical Support

te.com/support-center

US Inside Sales:

Phone: +1 619-562-7071
Email: elcajonsales@te.com

Phone: +1 979-865-8846
Email: bellvillesales@te.com

Phone: +1 401-637-4952
Email: eastcoastsales@te.com

UK Inside Sales:

Phone: +44 (0) 1493-652733
Email: gtymouthsales@te.com

France Inside Sales:

Phone: +33 2 43 61 45 45
Email: offshore-ckb@te.com

Brazil Inside Sales:

Phone: +55 21 3592-0920
Email: simone.carvalho@te.com

North America +1 800 522 6752
North America (Toll) +1 717 986 7777
EMEA/South Africa +800 0440 5100
EMEA (Toll) +31 73 624 6999
India (Toll-Free) +800 440 5100

Asia Pacific +86 400 820 6015
Japan +81 044 844 8180
Australia +61 2 9554 2695
New Zealand +64 (0) 9 634 4580

te.com/MOG

AMP, AGASTAT, CII, DEUTSCH, HARTMAN, KILOVAC, MICRODOT, NANONICS, POLAMCO, Raychem, SEACON, TE, TE Connectivity and the TE connectivity (logo) are trademarks of TE Connectivity. Other products, logos, and company names mentioned herein may be trademarks of their respective owners.

While TE Connectivity (TE) has made every reasonable effort to ensure the accuracy of the information herein, nothing herein constitutes any guarantee that such information is error-free, or any other representation, warranty or guarantee that the information is accurate, correct, reliable or current. The TE entity issuing this publication reserves the right to make any adjustments to the information contained herein at any time without notice. All implied warranties regarding the information contained herein, including, but not limited to, any implied warranties of merchantability or fitness for a particular purpose are expressly disclaimed. The dimensions herein are for reference purposes only and are subject to change without notice. Specifications are subject to change without notice.

Consult TE for the latest dimensions and design specifications.

© 2020 TE Connectivity All Rights Reserved.

2363602-1 01/20

SEACON

Jumper Assembly

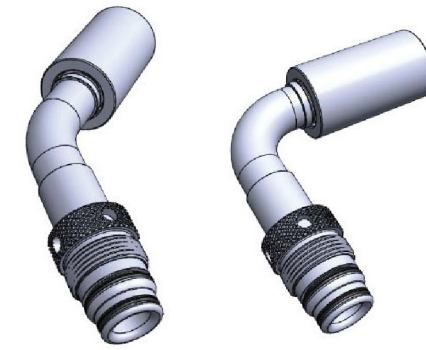
Pressure Balanced Oil Filled Cabling Solutions



A Range of Compatible Fittings

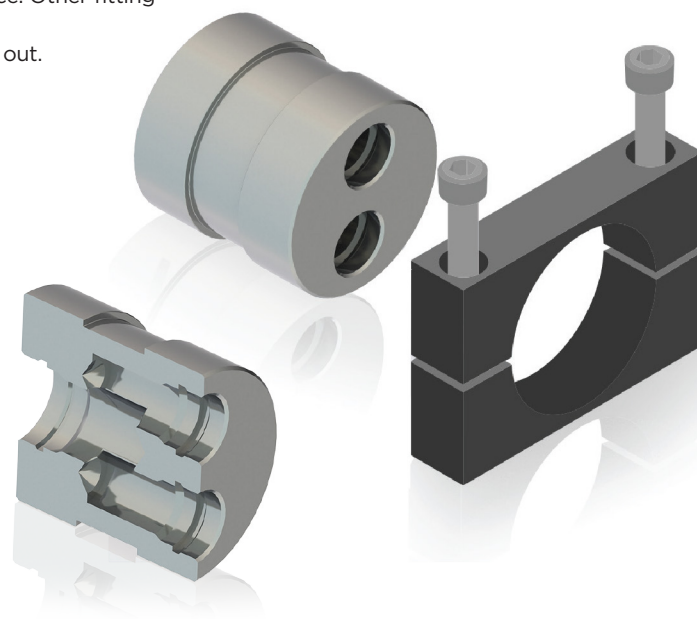
- **MKII:** Straight, 45° and 90° bend, JIC-8 and JIC-2 options
- **Materials (Others available upon request):**
 - Stainless steel, 316L
 - Super duplex
 - Titanium, GR.2
 - Nickel-Chromium alloy 625, GR.1
- Anti-rotation crimp sleeve system
- Crimp sleeve electrically connected
- Double Barrier against water ingress
 - Double o-ring sealing
 - Metal to metal sealing
- Rubber fitting protector

MKII with 45° and 90° Bend



Splitter Properties

- Applicable for multi-leg jumpers where it is desired to split wires from one up to maximum three connectors.
- Available in 13mm and 20mm MKII fitting interface. Other fitting interfaces upon request.
- Available in two configurations: 1 in 2 out & 1 in 3 out.
- Compact and flexible
- Saddle blocks optional for fixing purposes
- **Materials:**
 - Stainless steel, 316L
 - Super duplex
 - Titanium, GR.2
 - Nickel-Chromium alloy 625, GR.1

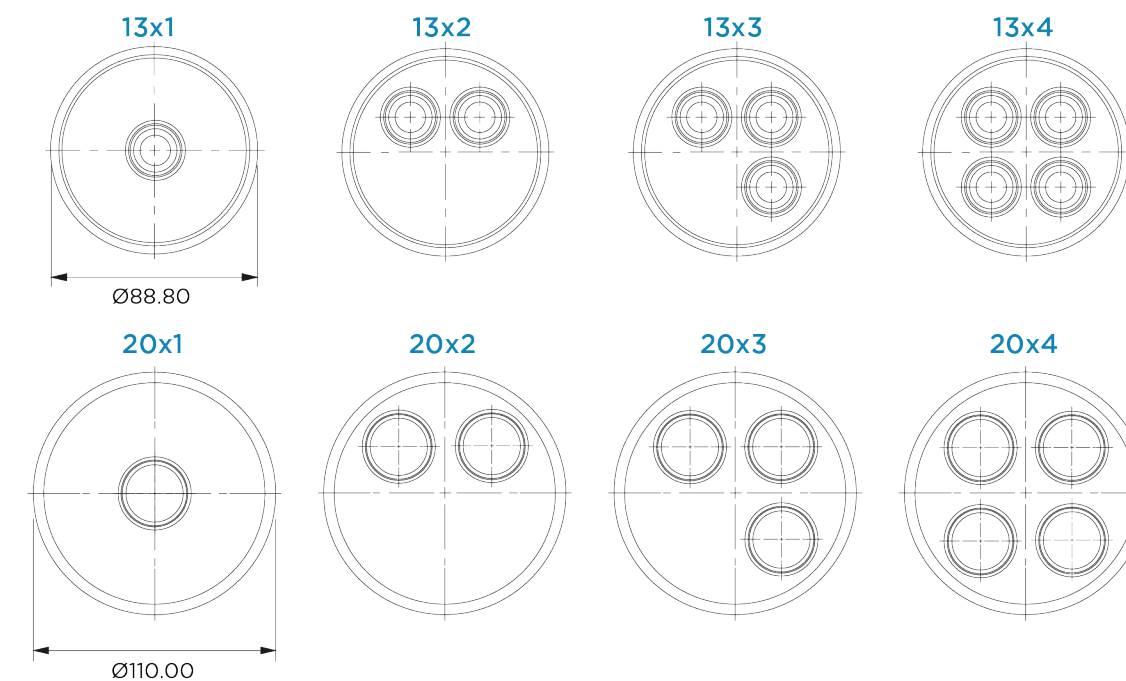


Splice Cannisters

- Applicable for multi-leg jumpers where soldering of pigtails is necessary
- Available in 13mm and 20mm MKII fitting interface. Other fitting interfaces upon request
- Available in different configurations up to 4 in 4 out
- Saddle blocks optional for fixing purposes
- **Materials:**
 - STAINLESS STEEL, 316L
 - SUPER DUPLEX
 - TITANIUM, GR.2
 - INCONEL 625, GR.1
- Double O-ring barrier. O-ring material in NBR 70 (Others available upon request)
- Silicone oil filled and pressure compensated by the connected hoses



Splice Cannister Arrangements



Inline Splice/Splitter Assembly:

General Specifications

- Available in multiple configurations: 1-1, 1-2 and up to 4-4
- Designed for use in oil filled environment with boot seal working as second barrier
- Small enough to fit into standard 20mm PBOF hose assemblies
- Part of dual sealing system

Test Data

- IR 1000 VDC/1 min, Conductor to water >20 Gohm
- Tested to 345 bar
- **Tension Load Tested:** 4 mm² > 52 kg, 16 AWG >9,5 kg



CAN Bus Resistor Assembly:

General Specifications

- 120 Ω can resistor
- Designed for use in oil filled environment with boot seal working as second barrier
- Small enough to fit into standard 20mm PBOF hose assemblies
- **Power:** >5 Watt

Test Data

- IR 1000 VDC/1 min, Conductor to water >20 Gohm
- Tested to 450 bar
- Tension Load Tested: Assembly >9,5 kg, Single resistance > 1,5 kg
- **Bend kink diameter:** <5mm