

Quick Reference Guide
VAL-U-LOK
Glow Wire Connectors

VAL-U-LOK

Glow Wire Connectors



KEY FEATURES

- Meets the requirement of IEC 60335-1
- Mates to standard VAL-U-LOK housings.
- Compatible with standard VAL-U-LOK contacts.

DESCRIPTIONS

VAL-U-LOK connector housings and headers are now available in special Glow Wire compatible material. Glow Wire is a test required by IEC/EN 60335-1 4th Edition: Household and Similar Appliances – Safety. VAL-U-LOK Glow Wire connectors allow manufacturers of home appliances sold into the European market to comply with this standard.

APPLICATIONS

Household Appliances :

- Air Conditioning
- Dishwasher
- Dryers
- Ovens
- Refrigerators
- Washing Machines

ELECTRICAL

Voltage : 600 VAC

Current : 9 amps max. in 2-position applications

Dielectric Withstanding Voltage : 1500 VAC min.

Insulation Resistance : 1000 megohms min.

Operating Temperature : -40°C to +105°C [-40°F to +221°F]

MECHANICAL

Connector Mating : 1.55 lb. [6.90 N] max. per circuit

Connector Unmating : .11 lb. [.49 N] min. per circuit

Contact Retention : 4.88 lb. [21.71 N] min. per contact

Durability : 30 cycles, mating and unmating

MATERIALS

Housings : Glow Wire Compatible

Contacts : Brass or Phos. Bronze with tin plating (Lead-Free) or gold plating

VAL-U-LOK Glow Wire Connectors

PRODUCT OFFERING

Receptacle and Plug Housing (Dual Row)

Number of Positions	A Receptacles		B Plugs	
		Panel Mount		Free Hanging
2	1586765-2	1586861-2		1586862-2
4	1586765-4	1586861-4		1586862-4
6	1586765-6	1586861-6		1586862-6
8	1586765-8	1586861-8		1586862-8
10	1-1586765-0	1-1586861-0		1-1586862-0
12	1-1586765-2	1-1586861-2		1-1586862-2
14	1-1586765-4	1-1586861-4		1-1586862-4
16	1-1586765-6	1-1586861-6		1-1586862-6
18	1-1586765-8	1-1586861-8		1-1586862-8
20	2-1586765-0	2-1586861-0		2-1586862-0
22	2-1586765-2	2-1586861-2		2-1586862-2
24	2-1586765-4	2-1586861-4		2-1586862-4

Receptacle and Plug Housing (Single Row)

Number of Positions	A Receptacles		B Plugs	
		Panel Mount		Free Hanging
3	2029112-3	2029110-3		2029111-3
4	2029178-4	2029177-4		2029180-4
5	2029178-5	2029177-5		2029180-5

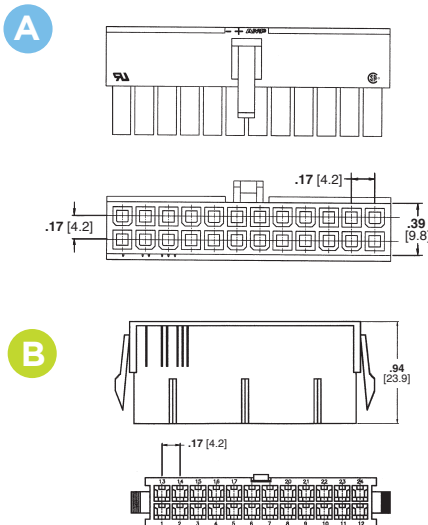
Headers (Dual Row)

Number of Positions	Vertical w/o pegs w/ dh*	C		D
		Vertical w/ pegs w/ dh*	Vertical w/ pegs w/o dh*	Right Angle w/o pegs
2	1586768-2	2029059-2	2029265-2	1586863-2
4	1586768-4	2029059-4	2029265-4	1586863-4
6	1586768-6	2029059-6	2029265-6	1586863-6
8	1586768-8	2029059-8	2029265-8	1586863-8
10	1-1586768-0	1-2029059-0	1-2029265-0	1-1586863-0
12	1-1586768-2	1-2029059-2	1-2029265-2	1-1586863-2
14	1-1586768-4	1-2029059-4	1-2029265-4	1-1586863-4
16	1-1586768-6	1-2029059-6	1-2029265-6	1-1586863-6
18	1-1586768-8	1-2029059-8	1-2029265-8	1-1586863-8
20	2-1586768-0	2-2029059-0	2-2029265-0	2-1586863-0
22	2-1586768-2	2-2029059-2	2-2029265-2	2-1586863-2
24	2-1586768-4	2-2029059-4	2-2029265-4	2-1586863-4

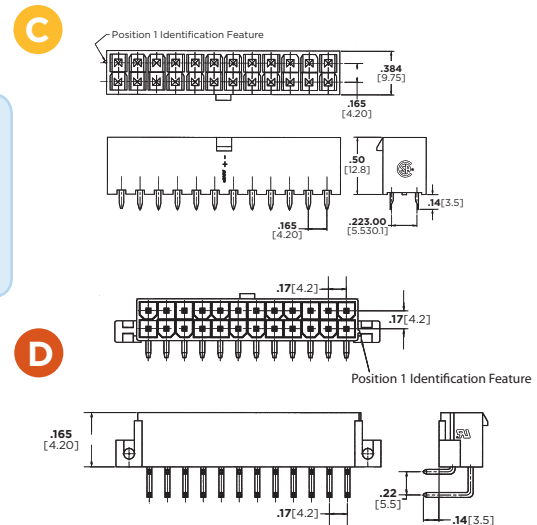
Headers (Single Row)

Number of Positions		C		D
		Vertical w/ pegs w/ dh	Vertical w/ pegs w/o dh	Right Angle w/ pegs
3		2029113-3	2029181-3	2029154-3
4		2029113-4	2029181-4	2029154-4
5		2029113-5	2029181-5	2029154-5

*dh indicates drain holes



For additional product information including crimp contact selection, please go to www.te.com
Search keyword **VAL-U-LOK**.



FOR MORE INFORMATION

Technical Support

Internet:	www.te.com
USA:	1-800-522-6752
Canada:	1-905-470-4425
Mexico:	1-800-733-8926
C. America:	52-55-1106-0803
South America:	55-11-2103-6000
Hong Kong:	852-2735-1628
Japan:	81-44-844-8013
UK:	44-8706-080208

te.com

© 2013 Tyco Electronics Corporation, a TE Connectivity Ltd. Company. All Rights Reserved.
7-1773453-1 CS 02/2013

TE Connectivity, TE connectivity (logo), TE (logo) and VAL-U-LOK are trademarks. Other logos, product and/or Company names might be trademarks of their respective owners.

While TE has made every reasonable effort to ensure the accuracy of the information in this brochure, TE does not guarantee that it is error-free, nor does TE make any other representation, warranty or guarantee that the information is accurate, correct, reliable or current. TE reserves the right to make any adjustments to the information contained herein at any time without notice. TE expressly disclaims all implied warranties regarding the information contained herein, including, but not limited to, any implied warranties of merchantability or fitness for a particular purpose. The dimensions in this catalog are for reference purposes only and are subject to change without notice. Specifications are subject to change without notice. Consult TE for the latest dimensions and design specifications.

