

RoHS
Ready 



FASTON Terminals Insulated and Uninsulated



Table of Contents

FASTON Terminals

Introduction 3
 Product Information and Crimp Styles 4, 5
 Receptacle Lines 6
 Product Specifications 7-9

FASTON Receptacles

Introduction 10
 312 Series 11
 250 Series 11-19
 205 Series 20
 187 Series 21-25
 125 Series 26
 110 Series 26-28
 AMPLIVAR Receptacles (for use with Magnet Wire) 29, 30
 Miscellaneous Tab Receptacles 31

FASTON Tabs

312 and 250 Series (High Temperature) 32
 250 through .060 Series 33, 34
 AMPLIVAR Tabs (for use with Magnet Wire) 35
 Weld Type Tabs 36
 Stud Mount Type Tabs 36-39
 Test Tabs 40, 41
 FASTON Tab Adapters 42

FASTON Printed Circuit Board Tabs and Receptacles

Introduction 43
 250 Series through 110 Series 44-49
 Right Angle Printed Circuit Board Tabs 48, 49
 RAST 5 Tab Header Assembly 50, 51

FASTON Housings

. 52-59

FASTIN-FASTON Product Line

Introduction 60
 250 Series through 110 Series 61-68
 RAST 5 Tab Housings 69-73

FASTON Terminals Strip/Loose Piece Cross Reference

. 74

Positive Lock Receptacles

Introduction 75
 Mark I Series 76, 77
 Mark II Series 78-83
 Positive Lock EX 83
 Mark III Series 84, 85
 110 Series 86

Positive Lock RAST 5 Connector System

. 87, 88

Ultra-Fast Fully Insulated FASTON Receptacles and Tabs

. 89-92

Ultra-Fast Plus Fully Insulated FASTON Receptacles and Tabs

. 93, 94

Ultra-Pod Fully Insulated FASTON Receptacles and Tabs

. 95-98

PIDG FASTON Receptacles and Tabs

. 99-103

Application Tooling

. 104-110

Technical Documents

. 111

Part Number Index

. 112-115

Disclaimer

While TE has made every reasonable effort to ensure the accuracy of the information in this catalog, TE does not guarantee that it is error-free, nor does TE make any other representation, warranty or guarantee that the information is accurate, correct, reliable or current. TE reserves the right to make any adjustments to the information contained herein at any time without notice. TE expressly disclaims all implied warranties regarding the information contained herein, including, but not limited to, any implied warranties of merchantability or fitness for a particular purpose. The dimensions in this catalog are for reference purposes only and are subject to change without notice. Specifications are subject to change without notice. Consult TE for the latest dimensions and design specifications.

© Copyright 2011, 2010, 2007, 2006, 2004, 1998, 1990, 1989, 1979, 1977, 1974, 1970, 1966 and 1963 Tyco Electronics Corporation. All Rights Reserved.

AMP, AMPIP, AMPLIVAR, AMP MONO-SHAPE, AMP-O-LECTRIC, AMPOMATOR, AMP-TAPETRONIC, CERTI-CRIMP, EDGE, FASTIN-FASTON, FASTON, MATE-N-LOK, PIDG, PLASTI-GRIP, Positive Lock, Potter & Brumfield, PRO-CRIMPER, TETRA-CRIMP, TE Connectivity, TE connectivity (logo) and TE (logo) are trademarks of the TE Connectivity Ltd family of companies.

Other logos, product and Company names mentioned herein may be trademarks of their respective owners.

Introduction

As noted, FASTON products meet or exceed industry standards UL-310 listed UL file No. E66717.

Recognized under the Component Program of Underwriters Laboratories Inc. electrical UL file no. E28476, and E13288

CSA certified file no. LR 7189A-509

■ **Produced under a Quality Management System certified to ISO 9001**

A copy of the certificate is available upon request.



The FASTON terminal product line includes Ultra-Fast, Ultra-Fast Plus and Ultra-Pod fully insulated FASTON terminals, as well as Positive Lock receptacles consisting of receptacles, tabs and splices specifically designed for quick connections. FASTON products are grouped according to tab width dimensions in series “312”, “250”, “205”, “187”, “125” and “110”. This product line offers speed of application, uniform reliability and low per line cost. These advantages have made FASTON products the number one choice of many leaders in the appliance and automotive industries. Other industries for FASTON products are computer and peripheral equipment,

industrial controllers, test equipment and telecommunications equipment manufacturers.

Speed of application is achieved through the use of application tools for which a complete line has been developed specifically for these terminals. See application tooling section in back of catalog for general information. Specific rates and capabilities can be obtained by contacting technical support at the numbers listed below.

Precisely controlled crimping specifications for each FASTON terminal allow all connections to perform as specified. Low per line costs are derived from low initial product costs, high application speeds, and plug-in

assemblies of the finished termination. While it's true that we have over fifty years of proven reliability behind our product, we are not content to rest. We are constantly striving to introduce new and improved products to add to our quick connect family. Positive Lock RAST 5 connectors, Ultra-Pod Positive Lock, C-Crimp flags and our ever expanding offering of printed circuit board tabs and receptacles are examples of recent additions to the FASTON product family.

It is our commitment to innovation and continuous improvement that allows the FASTON terminal product line to remain the leader in the industry.

Need more information?

Call Technical Support at the numbers listed in the footer of every page.

Technical Support is staffed with specialists well versed in all TE Connectivity products. They can provide you with:

- Technical Support
- Catalogs
- Technical Documents
- Product Samples
- TE Authorized Distributor Locations

Check the electronic catalog for the most up-to-date information.

Restriction on the use of Hazardous Substances (RoHS)

At TE, we're ready to support your RoHS requirements. We've assessed more than 1.5 million end items/components for RoHS compliance, and issued new part numbers where any change was required to eliminate the restricted materials. Part numbers in this catalog are identified as:

RoHS Compliant — Part numbers in this catalog are RoHS Compliant, unless marked otherwise. These products comply with European Union Directive 2002/95/EC as amended 1 January 2006 that restricts the use of lead, mercury, cadmium, hexavalent chromium, PBB, and PBDE in certain electrical and electronic products sold into the EU as of 1 July 2006.

NOTE: For purposes of this Catalog, included within the definition of RoHS Compliant are products that are clearly “Out of Scope” of the RoHS Directive such as hand tools and other non-electrical accessories.

NOTE: Information regarding RoHS compliance is provided based on reasonable inquiry of our suppliers and represents our current actual knowledge based on the information provided by our suppliers. This information is subject to change. For latest compliance status, refer to our website referenced at right.

Getting the Information You Need

Our comprehensive on-line RoHS Customer Support Center provides a forum to answer your questions and support your RoHS needs. A RoHS FAQ (Frequently Asked Questions) is available with links to more detailed information. You can also submit RoHS questions and receive a response within 24 hours during a normal work week. The Support Center also provides:

- Cross-Reference from Non-compliant to Compliant Products
- Ability to browse RoHS Compliant Products in our on-line catalog
- Downloadable Technical Data Customer Information Presentation
- More detailed information regarding the definitions used above
- So whatever your questions when it comes to RoHS, we have the answers at www.te.com/leadfree



The TE family of quick connects provides the right product for most applications. All styles provide features to enhance quality and reliability of interconnections. The FASTON product line consists of two mating parts—the receptacle and the tab. Receptacles are available in both straight and flag configurations and come in a variety of sizes. They are designed numerically by a series number that corresponds to the width of the mating tab. There are six series of both straight-on and flag receptacles “312”, “250”, “205”, “187”, “125”, and “110”.

The Products

Product Styles

Flag Receptacles



The flag receptacle is a reliable termination for those applications where space is a critical factor. Connection with mating tab is at right-angle to axis of conductor. Typical installations include bussing switches in back-splashes of ranges or in similar heavy duty applications.

Straight Receptacles



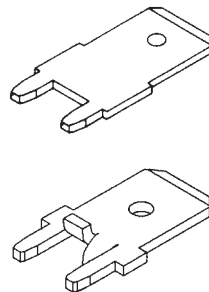
Straight receptacles are made with or without insulation support. Insulation diameters of .040-.230 are accommodated by the insulation support receptacle. Another feature of this type is a step-down insulation support barrel to compensate for insulation thickness to maintain axial alignment of the conductor strands. Over-insertion of shoulderless tabs is prevented by tapering walls at the rear of the receptacle.

Wire Crimp Tabs



The wire crimp tabs are designed for line splices and other special applications. They can be applied to 22-14 AWG wire with “F” crimp termination and include insulation support. The wire crimp tab is also available with AMPLIVAR connector type serrations for magnet wire applications.

Printed Circuit Board Tabs



These tabs are designed to be inserted into holes in PC boards, then attached permanently during the soldering operation. They can be hand inserted or machine inserted using TE application equipment.

Board Mount Tabs



Board mount tabs are available in all the series. These tabs are mounted using rivets or screws through stud holes. They are available in single 90 degree configurations, straight and angled versions, dual versions (90, 45 degree and straight), weld tab versions and special configurations.

Locking Action and Contact Area

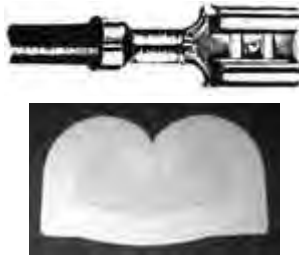


Since corrosion and oxidation tend to affect performance by cutting down contact areas and increasing the constriction resistance of connections, maximum contact areas are incorporated in the design of FASTON receptacles and tabs. The design also includes a dimple detent and web section which not only increases contact surfaces but also locks in the tab and receptacles at proper insertion depth for firm retention.

The Products (Continued)

Crimp Styles

The "F" Crimp



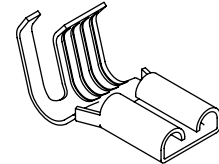
The standard crimp on all straight and certain flag type FASTON terminals is the "F" crimp. Experience over widespread segments of the industry has proved this crimp the most effective way of providing stable electrical and mechanical performance. Applied with match-mated tooling, the "F" crimp offers the optimum combination of mechanical strength and electrical conductivity. This method of termination also provides maximum resistance to vibration and corrosion.

Tab-Lok Crimp for FASTON Flag Terminals



In making this crimp, a tab on the wire barrel, is inserted through a slot in the terminal itself. The crimping action is continued by flattening the tab between two lances which in turn are locked over the tab. The wire connection is locked in to offer reliable electrical and mechanical performance. This receptacle design includes a lance-tab stop at its rear to avoid over-insertion of shoulderless tabs.

The "C" Crimp



A new style crimp with wrap-around barrel design with the standard, reliable FASTON receptacle. The special barrel design provides a maximum contact area and when applied with the matched tooling, will provide reliable electrical and mechanical performance at a minimum terminal profile.

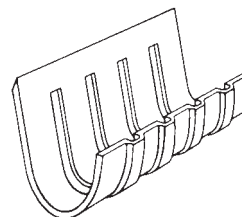
Available in the 187 series for both .020 and .032 thick tabs, brass or phosphorous bronze base materials in either plain or tin plated.

TETRA-CRIMP Terminal Crimp



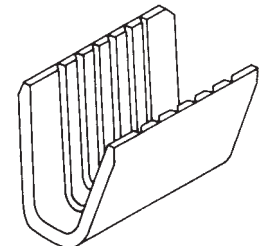
This reliable crimp is used on PIDG FASTON receptacles. The terminals feature nylon insulation fitted over a copper support sleeve. PIDG FASTON receptacles are of the straight variety only, and are available in strip form or tape mounted for high-speed application with automatic crimping machines, or in loose piece form for application with hand tools.

Corrugated Keystone Barrel Serrations



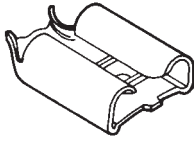
This special terminal wire barrel design provides maximum contact area between terminal and bare conductor. During the crimping process, bulk deformation forces the conductor into these serration channels creating a scrubbing action on oxide film on the wire. The termination is also resistant to vibration and shock.

AMPLIVAR Terminal Crimp



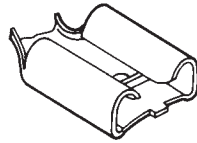
This crimp is designed for reliable, high-speed connection of magnet wire. The conductor(s) is automatically multiple-ring stripped and forced into sharp serrations with a single precision-controlled solderless crimp. This operation produces a strong, air-tight termination that is as resistant to corrosion and many other environmental effects as the insulated conductor itself.

Receptacle Product Lines



Premier

The receptacle configuration of the premier line, with its resilient rolls and double slot bottom allows maximum compliancy while retaining the high normal forces necessary to provide good wiping action and highly reliable interface. The basis to the resiliency of the premier line receptacle is in the *thermal stress relieving* each terminal receives. This extra processing step relieves the residual stresses the stamping process imparts and allows the receptacle to resist the effects of over-stressing, while retaining the normal forces which provide good cleaning action and low, stable resistance under a variety of operating conditions.



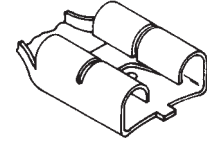
Budget

The budget line receptacles are constructed similar to the premier line and are easily distinguished by the single slot. The single most important difference between the budget line and premier line is that the budget line does not receive the special processing of the premier line. In addition, in the .250 series, the budget line receptacles are constructed of lighter .016 brass.



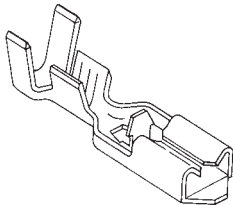
Economy

The economy line receptacle is separated from its counterparts by the large lead-in provided by its flared, relatively low, roll construction. This roll construction and lead-in, with tab contact coming on the mill finish of the brass instead of a profiled edge, makes for lower average insertion forces at relatively high normal forces.



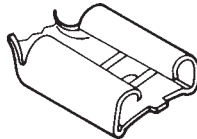
Low Insertion Force

The Low Insertion Force (LIF) type receptacle offers lower insertion forces than the other receptacle styles thru the unique design features of a two-stage receptacle and a cantilever mounted locking dimple.



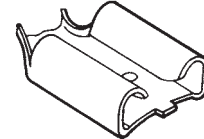
Positive Lock

Positive Lock receptacles are designed with reduced mating forces, and a large locking dimple on a flexible latch. This locking feature acknowledges proper mating with an audible "snap" of the dimple into the mating hole. This enhances safety and reliability of the mated pair for isolated and hard to reach areas. Until the release latch is depressed manually the receptacle cannot be removed.



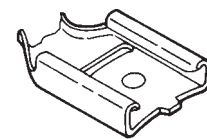
Hermetic

The hermetic receptacle is a premier line receptacle which has been designed to mate with the posted header tabs in hermetic motor applications. This receptacle provides all the features and benefits of the premier line.



Moldable

The moldable receptacle is available in many of the same configurations shown and is produced without slots or openings in the floor of the receptacle to facilitate over-molding.



Commercial

The commercial receptacles, with their abbreviated roll construction, conserve stock, have generally higher insertion forces and somewhat lower tolerance for general abuse.

Test Specifications

Operating Temperatures of Materials and Finishes

FASTON terminals are made available in brass and phosphor bronze which can be plated with tin or silver. The line also includes a selection of nickel plated steel tabs and receptacles.

Certain products are available in either pre-tin or tin plated. Tin plate is the electro-depositing of tin on base metal over the entire surface of the terminal following the fabrication of

the terminal. Pre-tin plate is the plating of tin on base metal prior to fabrication which produces exposed base metal in the terminal edge areas after stamping.

Brass

Plain

Allowable connection temperature* — 110°C.

Plain brass is used frequently, where applications have optimal environmental conditions.

Tin Plated

Allowable connection temperature — 110°C.

Tin plating of receptacle and tab improves operation at higher temperatures, and in addition helps to protect the connection against corrosion.

Silver Plated

Allowable connection temperature — 130°C.

Silver plated connections allow the highest operating temperature for brass and a higher current-carrying capacity.

* Allowable connection temperature is the ambient temperature plus temperature rise of the terminal at normal operating conditions.

Phosphor Bronze

Plain

Allowable connection temperature — 110°C.

Phosphor bronze is used in applications where brass would normally be corroded, for example the various freezing mixtures and ammonias.

Tin Plated

Allowable connection temperature — 110°C.

Tin plating of receptacle and tab improves operation at higher temperatures, and in addition helps to protect the connection against corrosion.

Silver Plated

Allowable connection temperature — 130°C.

Silver plated connections allow the highest operating temperature for phosphor bronze and higher current-carrying capacity.

Steel

Nickel Plated

Allowable connection temperature — 250°C.

This combination allows a reliable connection at high temperatures, for example in stoves, cooking appliances, etc. For optimum performance, these nickel plated receptacles are used with compatible lead wires and tabs that can be welded to heating units.

Plastics (Insulation)

Material Temperature Rating —

The following list shows various plastics and their application temperatures.

| | |
|--|-------|
| High temp. polyamide (nylon) | 150°C |
| Polyamide, (nylon) | 125°C |
| Polypropylene | 105°C |
| Polyester. | 90°C |
| Polyethylene. | 75°C |
| A.B.S. | 70°C |
| PVC. | 60°C |

Note: For information related to Glow Wire temperature ratings, contact TE Engineering.

Stress Relieving of Brass or Steel Receptacles

The process of stress relieving is unique to TE quick connects and is most commonly used in the production of those receptacles designated as premier line, including Ultra-Fast, Ultra-Fast Plus FASTON and PIDG receptacles. Stress is introduced into copper alloy or steel terminals during the stamping process. When metal strip is formed into the receptacle,

the material is deformed beyond its yield stress to form it into its new shape. This forming operation leaves a residual stress in the grain structure. The orientations and magnitudes of the forming stresses are complex, but can exist in the same direction as the applied load. Thus, residual stresses can reduce the force necessary to open the receptacle during the tab

insertion. Stress relieving the terminal restores the elastic spring properties and improves receptacle performance by reducing the residual stresses. After stress relieving, the receptacle resists opening when a tab is inserted, especially where difficult or awkward mating situations may cause mechanical abuse.

Test Specifications (Continued)

Test Specifications

The following information and related charts are taken from the qualification requirements as defined in UL-310, the safety standard

for electrical Quick-Connect terminals. Throughout this catalog, when a reference is made to a part being UL listed, that part has been

qualified to the standards shown in these charts.

Temperature Rise and Millivolt Drop

The temperature rise and millivolt drop characteristics are the lowest in the industry. They comply with safety requirements and exhibit extreme stability during extended time tests.

When using FASTON terminals, the allowable connection temperatures can be adjusted, based on the application, by considering actual current(s) and related temperature rise,

time at this temperature, humidity, corrosion environment, vibration, base metal, plating (if any), and other environmental considerations.

Test Parameters for FASTON Terminals (Based on UL-310 Temperature Rise and Current Requirements)

| Contact Size | Wire Size (Strand Count) | Continuous Current | Intermittent Current | |
|--------------|--------------------------|--------------------|----------------------|----|
| 250 Series | 10 (105) | 24 | 48 | |
| | 12 (65) | 20 | 40 | |
| | 205 Series | 14 (41) | 15 | 30 |
| | | 16 (26) | 10 | 20 |
| | 187 Series | 18 (16) | 7 | 14 |
| | | 20 (10) | 4 | 8 |
| | | 22 (7) | 3 | 6 |
| | | 110 Series | 16 (26) | 5 |
| | 18 (16) | | 4 | 8 |
| | 20 (10) | | 3 | 6 |
| 22 (7) | 2 | | 4 | |

Note: This information applies only to UL listed (UL) terminals. A part with a component recognition (CR) status deviates from the electrical or other requirements defined in the UL-310 safety standard.

This table can be used as a guide for selecting a characteristic such as contact size, wire size, or current (either continuous or intermittent operating current) when the other two are known. This table also identifies the possible receptacle sizes available for a given wire size. The continuous current column highlights the maximum current that should be applied to a given receptacle and wire combination to meet a 30°C maximum temperature rise. Intermittent current can be defined as a one hour cycle consisting of 45 minutes on and 15 minutes off. The temperature rise of the connector using the intermittent current on the corresponding wire size will be less than 85° C. The wire used in the testing to meet these electrical requirements is tin plated copper with stranding as indicated above in parentheses for terminals intended for internal wiring connections.

Tensile Strength (forces for crimp pull-out)

Maximum tensile strength of the wire to terminal connection does not insure reliable electrical performance. An acceptable compromise between maximum tensile strength and electrical stability is recommended.

Normally the tensile strength is much greater than the force required to disconnect the tab from the receptacle; therefore, no difficulties or hazards are encountered.

Forces for Crimp Pull-out Test (UL-310 Specification)

| Wire Size | | Minimum Force | |
|-----------|--------------------|---------------|-----|
| AWG | (mm ²) | pounds | N |
| 22 | 0.32 | 8 | 36 |
| 20 | 0.52 | 13 | 58 |
| 18 | 0.82 | 20 | 89 |
| 16 | 1.3 | 30 | 133 |
| 14 | 2.1 | 50 | 223 |
| 12 | 3.3 | 70 | 311 |
| 10 | 5.3 | 80 | 356 |

The forces shown for the crimp pull out test represent the minimum force required to separate the wire from the crimped terminal in an axis parallel to the wire exit direction from the contact. This force does not include the holding force of the insulation crimp (if applicable).

Insertion and Withdrawal Forces for Engagement-Disengagement

The UL-310 safety standard defines a broad range for the insertion and extraction value of each connector series. Many of the FASTON product families (such as premier line, budget line, low insertion force type, etc.) have been designed for specific applications and to address forces within the overall range as defined in the chart.

Insertion and Withdrawal Forces for Engagement-Disengagement Test (UL-310 Specification)

| Tab Size | First Insertion, Maximum Individual | Force, pounds (N) | | | | |
|--|-------------------------------------|-------------------|---------|------------|------------------|------------|
| | | First withdrawal | | | Sixth withdrawal | |
| | | Maximum | Minimum | | Minimum | |
| | | | Average | Individual | Average | Individual |
| Test Tab and Unplated Connector | | | | | | |
| .250 6.30 | 18 (80) | 18 (80) | 6 (27) | 4 (18) | 5 (22) | 4 (18) |
| .205 5.20 | 15 (67) | 20 (89) | 5 (22) | 3 (13) | 3 (13) | 2 (9) |
| .187 4.80 | | | | | | |
| .125 3.20 | 12 (53) | 14 (62) | 3 (13) | 2 (9) | 2 (9) | 1 (4) |
| .110 2.80 | | | | | | |
| Test Tab and Tin Plated Connector | | | | | | |
| .250 6.30 | 17 (76) | 17 (76) | 5 (22) | 3 (13) | 4 (18) | 3 (13) |
| .205 5.20 | 15 (67) | 20 (89) | 5 (22) | 3 (13) | 3 (13) | 2 (9) |
| .187 4.80 | | | | | | |
| .125 3.20 | 12 (53) | 14 (62) | 3 (13) | 2 (9) | 2 (9) | 1 (4) |
| .110 2.80 | | | | | | |

This chart show the forces required to engage and disengage a connector from a **plain brass test tab** (tab for mechanical testing as shown in the tab section of this catalog). The force is measured with a testing device capable of holding the reading and providing accurate alignment with slow and steady engagement and disengagement of the connector and test tab.

Vibration Resistance

In applications where conductors are subjected to flexing at termination points, circuit failure is avoided because resistance to vibration is enhanced through TE insulation support, even on conductors with oversized insulation.

Wire Range

FASTON receptacles are available in various wire ranges from 26-10 AWG, depending on series size. The chart below is designed to show our recommended two-wire combinations. Specific wire and insulation combinations should be evaluated for suitability and not all combinations may be appropriate for high speed or automatic termination equipment.

Recommended Two-Wire Combinations

| Wire Ranges | | | | | | | | | | | | | | | | |
|-----------------------|--------------------|--------------------|--------------------|--------------------|--------------------|-------|--------------------|--------------------|--------------------|--------------------|--------------------|-----------------|--------------------|--------------------|--------------------|--------------------|
| 8-10 | 12-10 | 14-10 | 14-12 | 16-12 | 16-14 | 18-12 | 18-14 (2) 16 | (2) 18 (2) 16 | 18-14 | 18-16 | 20-14 | 20-16 (2) 18 | 20-16 | 20-18 | 22-16 | 22-18 |
| Two-Wire Combinations | | | | | | | | | | | | | | | | |
| 10-22 ¹ | 12-22 ¹ | 14-14 | 18-16 | 16-22 | 18-18 | 18-18 | 16-16 | 16-16 | 22-18 | 18-22 ¹ | 20-22 | 18-18 | 20-18 | 20-20 | 18-22 ¹ | 22-20 ¹ |
| 10-20 | 12-20 | 14-16 | 18-14 | 16-20 | 18-20 | 18-16 | 16-22 ¹ | 18-18 | 20-18 | 18-20 | 20-20 | 18-20 | 20-20 | 20-22 ¹ | 18-20 | 22-22 |
| 10-18 | 12-18 | 14-18 | 16-16 | 16-18 | 16-22 ¹ | 18-14 | 16-20 | 16-18 ¹ | 18-18 | 18-18 | 20-18 | 20-20 | 22-18 ¹ | 22-22 | 20-20 | |
| 10-16 | 12-16 | 14-20 | 14-22 ¹ | 16-16 | 16-20 | 18-20 | 16-18 | | 20-20 | 20-20 | 20-16 | 22-20 | 22-22 | | 20-22 | |
| 10-14 | 14-16 | 14-22 | 14-20 | 18-18 | 18-22 | 18-18 | | | 20-16 | 18-22 | 18-22 ¹ | 22-20 | | | | |
| 12-14 | 14-14 | 16-16 | | 18-20 | 16-22 | 18-20 | | | 22-16 ¹ | | 18-18 | | | | | |
| | 14-12 | 16-18 | | 18-14 | 16-20 | 18-22 | | | | | 18-16 | | | | | |
| | | 16-12 | | 20-14 | 16-16 | 20-20 | | | | | 16-22 ¹ | | | | | |
| | | 18-12 | | | 14-22 ¹ | 20-22 | | | | | | | | | | |
| | | 20-12 | | 22-14 ¹ | 14-20 | | | | | | | | | | | |
| | | 22-12 ¹ | | | | | | | | | | | | | | |

¹ Min./max. wire size combinations

FASTON Receptacles

Product Facts

- Full line of premier, budget, LIF, moldable and hermetic uninsulated receptacles
- Straight, right-angle and receptacle and tab combinations available
- Receptacles available in .312, .250, .205, .187, .125 and .110 sizes
- Available in 8-30 AWG wire ranges
- Receptacles mate with .032 and .020 thick tabs
- Available with or without secondary wire support
- Base materials brass, phosphor bronze and steel available
- Tin, silver and nickel plated products available
- Products designed and manufactured to meet UL 310 specifications
- Products designed and manufactured to meet CSA C22.2 specifications



TE offers a full line of uninsulated quick connects. We offer products for a wide variety of applications in almost every market and industry we serve. It is important to choose the correct terminal for each application. The following is a list of application specific characteristics that must be considered when determining the best terminal for each individual application.

Mating Tab

Size (312, 250, 205, 187, 110, etc.)

Wire Type

Magnet or stranded

Wire Orientation

Straight or flag

Temperature/Environment

Base metal plating requirements

Insulator required

Pre-insulated housing required

Agency Approvals (UL/CSA)

Application

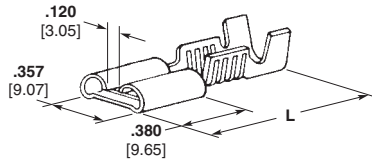
Continuous strip or loose piece

Special Applications

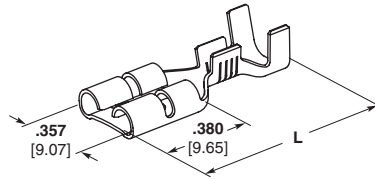
Moldable
Hermetic
Printed circuit board
Piggyback (straight/flag)
Reversible flags
Center strip
Positive locking

312 Series Receptacles

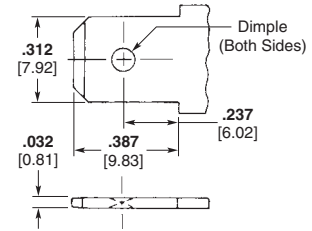
Straight Receptacles, Insulation Support



A — Premier Line



B — Low Insertion Force

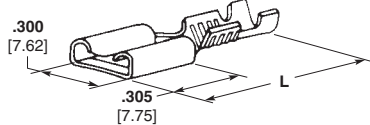


Mating 312 Series Tab Dimensions
Dimple (Both Sides)

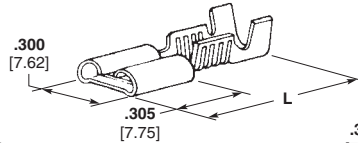
| Wire Range AWG | Style | Tab Fit | Insulation Diameter | Material and Finish | Stock Thickness | L (Overall Length) | UL | RA | SP | Terminal Part Number |
|----------------|-------|--------------|------------------------------------|-------------------------|-----------------|--------------------|----|----|----|----------------------|
| 18-14 | A | .032 0.81 | .090-.130 2.29-3.30 | Brass | .016 0.41 | .900 22.86 | — | X | X | 62092-1 |
| | A | .032 0.81 | .110-.210 or (2) 2.79-5.33 2.79 | Brass, Tin Plated | .016 0.41 | .900 22.86 | — | X | X | 61399-1 |
| 16-12 | B | .032 0.81 | .110-.210 or (2) 2.79-5.33 2.79 | Brass, Tin Plated | .016 0.41 | .900 22.86 | — | X | X | 63677-1 |
| | B | .032 0.81 | .110-.210 or (2) 2.79-5.33 2.79 | Brass | .016 0.41 | .900 22.86 | — | X | X | 63677-2 |
| 14-10 | A | .032 0.81 | .150-.200 3.81-5.08 | Brass, Silver Plated | .018 0.46 | .900 22.86 | — | X | X | 63820-1 |

250 Series Receptacles

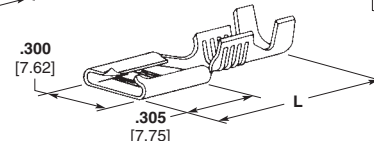
Straight Receptacles, Insulation Support



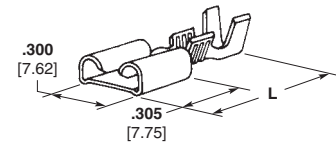
A — Premier Line



B — Budget Line



C — Economy Line



D — Moldable Line

| Wire Range AWG | Style | Tab Fit | Insulation Diameter | Material and Finish | Stock Thickness | L (Overall Length) | UL | RA | SP | Terminal Part Number |
|----------------|-------|--------------|------------------------|----------------------|-----------------|--------------------|----------------|----|----------------|----------------------|
| 26-22 | C | .032 0.81 | .040-.060 1.02-1.52 | Brass | .016 0.41 | .755 19.18 | X ¹ | — | X ¹ | 61202-1 |
| 24-20 | A | .032 0.81 | .030-.070 0.76-1.78 | Brass, Tin Plated | .016 0.41 | .755 19.18 | X ² | — | X ² | 61368-1 |
| | A | .032 0.81 | .060-.100 1.52-2.54 | Brass | .016 0.41 | .755 19.18 | X | — | X | 42640-1 |
| | A | .032 0.81 | .060-.100 1.52-2.54 | Brass, Tin Plated | .016 0.41 | .755 19.18 | X | — | X | 42640-2 |
| | A | .032 0.81 | .090-.130 2.29-3.30 | Brass | .016 0.41 | .755 19.18 | X | — | X | 41771 |
| | A | .032 0.81 | .090-.130 2.29-3.30 | Brass, Tin Plated | .016 0.41 | .755 19.18 | X | — | X | 41772 |
| 22-18 | B | .032 0.81 | .090-.130 2.29-3.30 | Brass | .016 0.41 | .755 19.18 | X | — | X | 42510-1 |
| | B | .032 0.81 | .090-.130 2.29-3.30 | Brass, Tin Plated | .016 0.41 | .755 19.18 | X | — | X | 42510-2 |
| | C | .032 0.81 | .090-.130 2.29-3.30 | Brass | .016 0.41 | .755 19.18 | X | — | X | 42743-1 |
| | C | .032 0.81 | .090-.130 2.29-3.30 | Brass, Tin Plated | .016 0.41 | .755 19.18 | X | — | X | 42743-2 |
| | D | .032 0.81 | .090-.130 2.29-3.30 | Brass | .016 0.41 | .755 19.18 | — | — | — | 63127-1 |

¹ UL listed and CSA certified for 22 AWG.

² UL listed and CSA certified for 22-20 AWG.

³ Mates with a .020 [0.51] thick tab.

⁴ 9,600 CMA max.

⁵ UL/CSA - 10 AWG only.

⁶ Stress relieved.

⁷ Recommended for external use only.

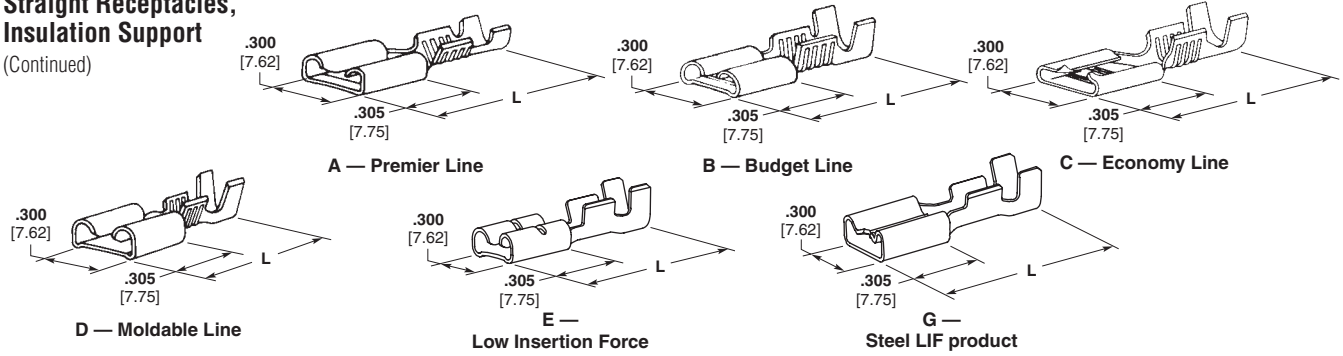
⁸ Recommended for internal or external use.

Note: All part numbers are RoHS compliant.

250 Series Receptacles (Continued)

Straight Receptacles, Insulation Support

(Continued)



FASTON Receptacles

| Wire Range AWG | Style | Tab Fit | Insulation Diameter | Material and Finish | Stock Thickness | L (Overall Length) | UL | RA | SP | Terminal Part Number | | |
|----------------|-------|--------------|------------------------|------------------------|------------------------|----------------------|---------------|---------------|----|----------------------|------------------------|----------------------|
| 22-18 | E | .032 0.81 | .090-.130 2.29-3.30 | Brass | .016 0.41 | .755 19.18 | X | — | X | 63693-1 ⁶ | | |
| | | .032 0.81 | .090-.130 2.29-3.30 | Brass | .016 0.41 | .755 19.18 | X | — | X | 63609-1 | | |
| | | .032 0.81 | .090-.130 2.29-3.30 | Brass, Tin Plated | .016 0.41 | .755 19.18 | X | — | X | 63609-2 | | |
| | 18-14 | A | .020 0.51 | .120-.170 3.05-4.32 | Brass, Tin Plated | .018 0.46 | .755 19.18 | X | — | X | 63655-1 ³ | |
| | | | .032 0.81 | .060-.110 1.52-2.79 | Brass, Tin Plated | .018 0.46 | .755 19.18 | X | — | X | 61375-1 | |
| | | | .032 0.81 | .060-.110 1.52-2.79 | Steel, Nickel Plated | .016 0.41 | .755 19.18 | — | — | — | 63688-1 | |
| 18-14 | | B | .032 0.81 | .120-.170 3.05-4.32 | Steel, Nickel Plated | .016 0.41 | .755 19.18 | — | X | X | 42219-1 | |
| | | | .032 0.81 | .120-.170 3.05-4.32 | Brass | .018 0.46 | .755 19.18 | X | — | X | 41202 | |
| | | | .032 0.81 | .120-.170 3.05-4.32 | Brass, Tin Plated | .018 0.46 | .755 19.18 | X | — | X | 41274 | |
| | | C | D | .032 0.81 | .120-.170 3.05-4.32 | Brass | .016 0.41 | .750 19.05 | X | — | X | 42400-1 |
| | | | | .032 0.81 | .120-.170 3.05-4.32 | Brass, Tin Plated | .016 0.41 | .750 19.05 | X | — | X | 42400-2 |
| | | | | .032 0.81 | .120-.170 3.05-4.32 | Brass, Silver Plated | .016 0.41 | .755 19.18 | X | — | X | 61107-1 ⁶ |
| | E | | G | .032 0.81 | .120-.170 3.05-4.32 | Brass | .016 0.41 | .755 19.18 | X | — | X | 42660-1 |
| | | | | .032 0.81 | .120-.170 3.05-4.32 | Brass, Tin Plated | .016 0.41 | .755 19.18 | X | — | X | 42660-2 |
| | | | | .032 0.81 | .150-.210 3.81-5.33 | Brass | .016 0.41 | .780 19.81 | X | — | X | 42692-1 |
| | 18-14 | D | .032 0.81 | .150-.210 3.81-5.33 | Brass, Tin Plated | .016 0.41 | .780 19.81 | X | — | X | 42692-2 | |
| | | | .032 0.81 | .120-.170 3.05-4.32 | Brass | .016 0.41 | .750 19.05 | X | — | X | 60650-1 | |
| | | | .032 0.81 | .120-.170 3.05-4.32 | Brass, Tin Plated | .016 0.41 | .750 19.05 | X | — | X | 60650-2 | |
| E | | G | .020 0.51 | .120-.170 3.05-4.32 | Brass, Tin Plated | .018 0.46 | .775 19.69 | X | — | X | 63993-1 ^{3,6} | |
| | | | .032 0.81 | .120-.170 3.05-4.32 | Brass | .018 0.46 | .755 19.18 | X | — | X | 63537-1 ⁶ | |
| | | | .032 0.81 | .120-.170 3.05-4.32 | Brass, Tin Plated | .018 0.46 | .755 19.18 | X | — | X | 63537-2 ⁶ | |
| | | G | G | .032 0.81 | .120-.170 3.05-4.32 | Steel, Nickel Plated | .016 0.41 | .755 19.18 | — | X | X | 63674-1 ⁶ |
| | | | | .032 0.81 | .120-.170 3.05-4.32 | Brass | .016 0.41 | .755 19.18 | X | — | X | 63306-1 |
| | | | | .032 0.81 | .120-.170 3.05-4.32 | Brass, Tin Plated | .016 0.41 | .755 19.18 | X | — | X | 63306-2 |
| G | | G | .032 0.81 | .120-.170 3.05-4.32 | Steel, Nickel Plated | .016 0.41 | .755 19.18 | — | X | — | 1742198-1 | |

¹ UL listed and CSA certified for 22 AWG.

² UL listed and CSA certified for 22-20 AWG.

³ Mates with a .020 [0.51] thick tab.

⁴ 9,600 CMA max.

⁵ UL/CSA - 10 AWG only.

⁶ Stress relieved.

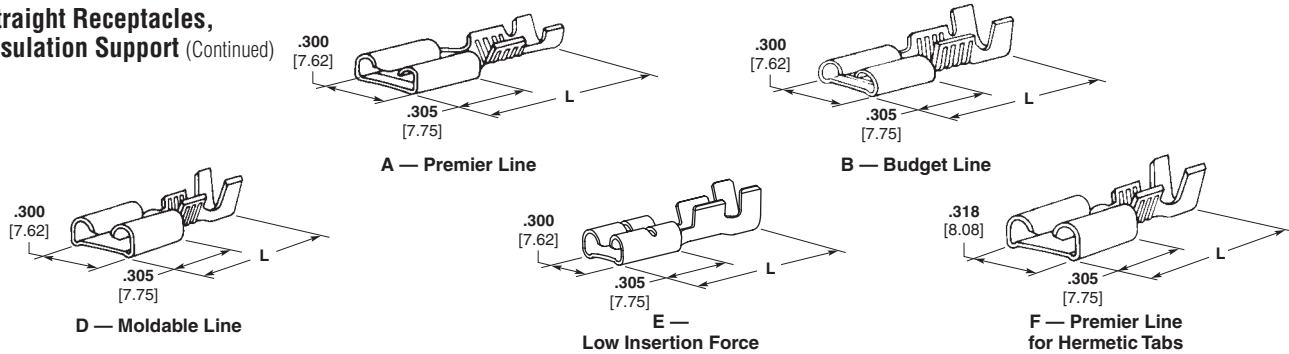
⁷ Recommended for external use only.

⁸ Recommended for internal or external use.

Note: All part numbers are RoHS compliant.

250 Series Receptacles (Continued)

Straight Receptacles, Insulation Support (Continued)



| Wire Range AWG | Style | Tab Fit | Insulation Diameter | Material and Finish | Stock Thickness | L (Overall Length) | UL | RA | SP | Terminal Part Number | | |
|----------------|-------|-----------|-------------------------------|------------------------------------|------------------------------------|----------------------|-------|-------|------------------------|------------------------|------------------------|------------------------|
| 18-14 | F | .032 | .120-.170 | Brass | .018 | .750 | X | — | X | 62500-1 ⁷ | | |
| | | 0.81 | 3.05-4.32 | Brass, Tin Plated | 0.46 | 19.05 | X | — | X | 62500-2 ⁷ | | |
| | | .032 | .120-.170 | Phos Brz, Tin Plated | .018 | .750 | X | — | X | 41774 ⁸ | | |
| 16-12 (2) 16 | B | .032 | .160-.210 | Brass | .016 | .750 | X | — | X | 63896-1 | | |
| | | 0.81 | 4.06-5.33 (2) .130 3.30 | | | | | | | | | |
| 16-12 | A | .032 | .210-.265 | Steel, Nickel Plated | .018 | .830 | — | X | X | 42579-1 | | |
| 16-12 (2) 18 | A | .032 | .210-.265 | Brass | .018 | .820 | X | — | X | 41727 | | |
| | | | | 0.81 | 5.33-6.73 (2) .120 3.05 Max. | Brass, Tin Plated | 0.46 | 20.93 | X | — | X | 41728 |
| | E | .032 | .210-.265 | Brass | .018 | .755 | X | — | X | 63757-1 | | |
| 0.81 | | | | 5.33-6.73 (2) .120 3.05 Max. | Steel, Nickel Plated | 0.46 | 19.18 | — | X | X | 63757-2 | |
| 14-10 | A | .032 | .150-.200 | Brass | .018 | .770 | X | — | X | 41449 ⁴ | | |
| | | | | 0.81 | 3.81-5.08 | Brass, Tin Plated | 0.46 | 19.56 | X | — | X | 41450 ⁴ |
| | B | .032 | .150-.200 | Brass, Silver Plated | .018 | .750 | X | — | X | 61095-1 ⁴ | | |
| | | | | 0.81 | 3.81-5.08 | Brass, Silver Plated | 0.46 | 19.05 | X | — | X | 63435-1 ^{4,6} |
| | E | .032 | .150-.200 | Brass | .018 | .755 | X | — | X | 63365-1 ⁴ | | |
| | | | | 0.81 | 3.81-5.08 | Brass, Tin Plated | 0.46 | 19.18 | X | — | X | 63365-2 ⁴ |
| F | .032 | .150-.200 | Brass, Tin Plated | .018 | .775 | X | — | X | 63365-2 ⁴ | | | |
| | | | 0.81 | 3.81-5.08 | Phos Brz, Tin Plated | 0.46 | 19.69 | X | — | X | 42437-2 ^{4,7} | |
| 14-10 (2) 14 | A | .032 | .225-.275 | Brass, Tin Plated | .018 | .775 | X | — | X | 60635-1 ⁴ | | |
| | | | | 0.81 | 5.72-6.99 (2) .140 3.56 | Brass, Silver Plated | 0.46 | 19.69 | X | — | X | 60635-2 ⁴ |
| | | | | | | Brass | 0.46 | 19.69 | X | — | X | 60635-3 ⁴ |
| | D | .032 | .225-.275 | Brass, Tin Plated | .018 | .750 | — | — | — | 63419-1 ^{4,6} | | |
| | | | | 0.81 | 5.72-6.99 (2) .140 3.56 | Brass, Tin Plated | 0.46 | 19.05 | — | — | — | |
| | | | | | | Brass | 0.46 | 19.05 | — | — | — | |
| E | .032 | .225-.275 | Brass, Tin Plated | .018 | .755 | X | — | X | 63539-1 ^{4,6} | | | |
| | | | 0.81 | 5.72-6.99 (2) .140 3.56 | Brass | 0.46 | 19.18 | X | — | X | 63539-2 ^{4,6} | |

¹ UL listed and CSA certified for 22 AWG.
² UL listed and CSA certified for 22-20 AWG.
³ Mates with a .020 [0.51] thick tab.

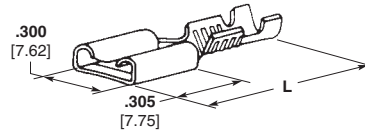
⁴ 9,600 CMA max.
⁵ UL/CSA - 10 AWG only.
⁶ Stress relieved.

⁷ Recommended for external use only.
⁸ Recommended for internal or external use.

Note: All part numbers are RoHS compliant.

250 Series Receptacles (Continued)

Straight Receptacles, Insulation Support (Continued)



A — Premier Line

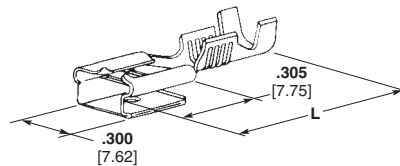
| Wire Range AWG | Style | Tab Fit | Insulation Diameter | Material and Finish | Stock Thickness | L (Overall Length) | UL | RU | SP | Terminal Part Number |
|----------------|-------|---------|---|---------------------|-----------------|--------------------|----|----|----|----------------------|
| 12-10 | A | .032 | .150-.200 | Brass, | .018 | .775 | X | — | X | 62428-2 |
| | | 0.81 | 3.81-5.08 | Tin Plated | 0.46 | 19.69 | | | | |
| 12-10 | A | .032 | .150-.200 | Phos Brz, | .018 | .775 | X | — | X | 62428-3 |
| | | 0.81 | 3.81-5.08 | Tin Plated | 0.46 | 19.69 | | | | |
| 10-8 | A | .032 | .230-.280 ¹ | Brass, | .018 | .775 | X | — | X | 62998-2 ⁵ |
| | | 0.81 | 5.84-7.11 ¹ or (2) .160 4.06 | | | | | | | |

¹ UL listed and CSA certified for 22 AWG.
² UL listed and CSA certified for 22-20 AWG.
³ Mates with a .020 [0.51] thick tab.

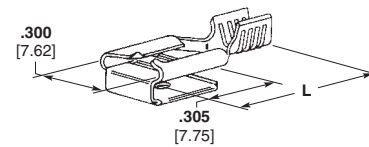
⁴ 9,600 CMA max.
⁵ UL/CSA - 10 AWG only.
⁶ Stress relieved.

⁷ Recommended for external use only.
⁸ Recommended for internal or external use.

Receptacle and Tab Combinations



A — Economy Line



B — Economy Line
Non-Insulation Support

| Wire Range AWG | Style | Tab Fit | Insulation Diameter | Material and Finish | Stock Thickness | L (Overall Length) | UL | RU | SP | Terminal Part Number | |
|----------------|-----------|------------|---------------------|---------------------|-----------------|--------------------|-------|----|----|--------------------------|----------------------|
| 22-18 | A | .032 | .060-.100 | Brass | .015 | .770 | X | — | X | 61988-1 | |
| | | 0.81 | 1.52-2.79 | | 0.38 | 19.56 | | | | | |
| | | .032 | .060-.100 | Brass, | .015 | .770 | X | — | X | 61988-2 | |
| | 0.81 | 1.52-2.79 | Tin Plated | 0.38 | 19.56 | | | | | | |
| | 18-14 | A | .032 | .060-.100 | Brass, | .015 | .770 | X | — | X | 61988-3 ² |
| | | | 0.81 | 1.52-2.79 | Tin Plated | 0.38 | 19.56 | | | | |
| .032 | | | .120-.170 | Brass | .015 | .770 | X | — | X | 61944-1 | |
| 0.81 | | 3.05-4.32 | | 0.38 | 19.56 | | | | | | |
| 18-14 | | A | .032 | .120-.170 | Brass, | .015 | .770 | X | — | X | 61944-2 |
| | | | 0.81 | 3.05-4.32 | Tin Plated | 0.38 | 19.56 | | | | |
| | .032 | | .120-.170 | Brass | .032-.016 | .770 | X | — | X | 62109-1 ¹ | |
| | 0.81 | 3.05-4.32 | | 0.81-0.41 | 19.56 | | | | | | |
| | 18-14 | A | .032 | .120-.170 | Brass, | .032-.016 | .770 | X | — | X | 62109-2 ¹ |
| | | | 0.81 | 3.05-4.32 | Tin Plated | 0.81-0.41 | 19.56 | | | | |
| .032 | | | .120-.170 | Brass | .015 | .770 | X | — | X | 62223-1 ² | |
| 0.81 | | 3.05-4.32 | | 0.38 | 19.56 | | | | | | |
| 18-14 | | B | .032 | .120-.170 | Brass, | .015 | .770 | X | — | X | 62223-2 ² |
| | | | 0.81 | 3.05-4.32 | Tin Plated | 0.38 | 19.56 | | | | |
| 14-10 | A | .032 | — | Pre-Tin Brass | .015 | .610 | X | — | X | 62276-1 | |
| | | 0.81 | | | 0.38 | 15.49 | | | | | |
| | | .032 | .150-.200 | Brass | .015 | .770 | X | — | X | 62253-1 ³ | |
| | 0.81 | 3.81-5.08 | | 0.38 | 19.56 | | | | | | |
| | 14-10 | A | .032 | .150-.200 | Brass, | .015 | .770 | X | — | X | 62253-2 ³ |
| | | | 0.81 | 3.81-5.08 | Tin Plated | 0.38 | 19.56 | | | | |
| .032 | | | .150-.200 | Brass, | .032-.016 | .770 | X | — | X | 1217043-1 ^{1,3} | |
| 0.81 | 3.81-5.08 | Tin Plated | 0.81-0.41 | 19.56 | | | | | | | |
| 14-10 | B | .032 | — | Pre-Tin Brass | .015 | .610 | X | — | X | 62068-1 ³ | |
| | | 0.81 | | | 0.38 | 15.49 | | | | | |

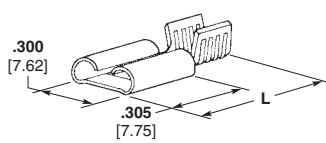
¹ Dual Thickness.
² Stress relieved.
³ 9600 CMA Max.

Note: All part numbers are RoHS compliant.

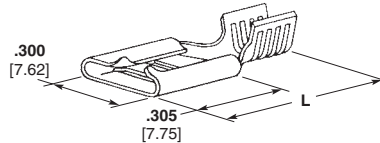
FASTON Receptacles

250 Series Receptacles (Continued)

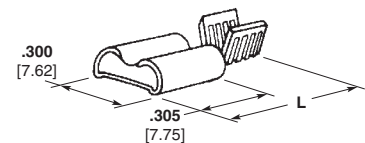
Straight Receptacles, Non-Insulation Support



A — Premier Line



B — Economy Line



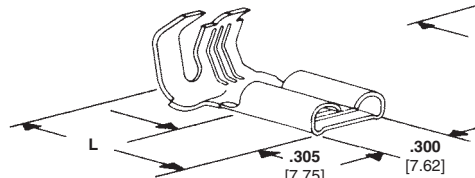
C — Moldable Line

| Wire Range AWG | Style | Tab Fit | Insulation Diameter | Material and Finish | Stock Thickness | L (Overall Length) | UL | RU | SP | Terminal Part Number |
|-------------------|-------|--------------|------------------------|-------------------------|--------------------|-----------------------|----|----|----|-------------------------|
| 18-14 | A | .032 0.81 | — | Brass, Tin Plated | .018 0.46 | .655 16.64 | X | — | X | 41194 |
| | | .032 0.81 | — | Steel, Nickel Plated | .018 0.46 | .655 16.64 | — | X | X | 41143-1 |
| | B | .032 0.81 | — | Brass | .016 0.41 | .595 15.11 | X | — | X | 42845-1 |
| | | .032 0.81 | — | Brass, Tin Plated | .016 0.41 | .595 15.11 | X | — | X | 42845-2 |
| | C | .032 0.81 | — | Brass | .016 0.41 | .655 16.64 | X | — | X | 60938-1 |
| | | .032 0.81 | — | Brass, Tin Plated | .016 0.41 | .655 16.64 | X | — | X | 60938-2 |
| | | .032 0.81 | — | Brass, Tin Plated | .016 0.41 | .655 16.64 | — | — | — | 63981-1 ¹ |

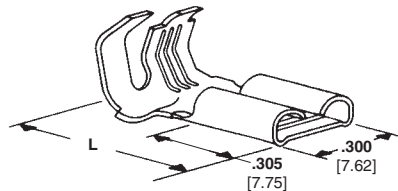
¹ No dimple.

250 Series Tab-Lok Flags

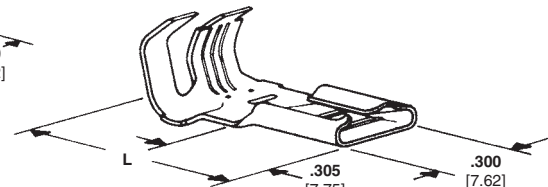
Flag Receptacles, Insulation Support



A — Premier Line



B — Budget Line



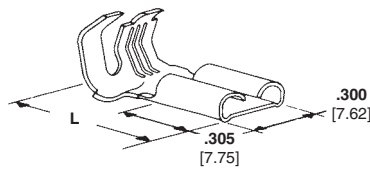
C — Economy Line

| Wire Range AWG | Style | Tab Fit | Insulation Diameter | Material and Finish | Stock Thickness | L (Overall Length) | UL | RU | SP | Terminal Part Number |
|-------------------|-------|--------------|--------------------------|-------------------------|--------------------|-----------------------|----|----|----|-------------------------|
| 22-16 | C | .032 0.81 | .070 - .130 1.78-3.30 | Brass | .016 0.41 | .670 17.02 | X | — | X | 63577-1 |
| | | .032 0.81 | .110-210 2.79-5.33 | Brass | .018 0.46 | .670 17.02 | X | — | X | 41531 |
| 18-12 | A | .032 0.81 | .110-210 2.79-5.33 | Brass, Tin Plated | .018 0.46 | .670 17.02 | X | — | X | 41532 |
| | | .032 0.81 | .110-210 2.79-5.33 | Brass, Silver Plated | .018 0.46 | .670 17.02 | X | — | X | 61156-1 |
| | B | .032 0.81 | .110-210 2.79-5.33 | Steel, Nickel Plated | .018 0.46 | .670 17.02 | — | X | X | 41531-1 |
| | | .032 0.81 | .110-210 2.79-5.33 | Steel, Nickel Plated | .016 0.41 | .670 17.02 | — | X | X | 42404-1 |
| | C | .032 0.81 | .110-210 2.79-5.33 | Brass | .016 0.41 | .670 17.02 | X | — | X | 42511-1 |
| | | .032 0.81 | .110-210 2.79-5.33 | Brass, Tin Plated | .016 0.41 | .670 17.02 | X | — | X | 42511-2 |
| | | .032 0.81 | .110-210 2.79-5.33 | Brass | .016 0.41 | .670 17.02 | X | — | X | 42742-1 |
| | | .032 0.81 | .110-210 2.79-5.33 | Brass, Tin Plated | .016 0.41 | .670 17.02 | X | — | X | 42742-2 |

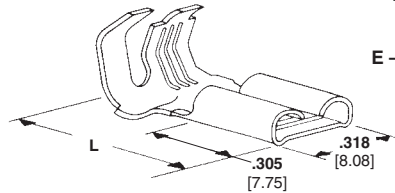
Note: All part numbers are RoHS compliant.

250 Series Tab-Lok Flags (Continued)

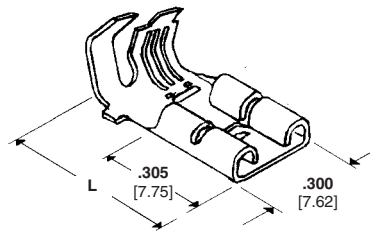
Flag Receptacles, Insulation Support (Continued)



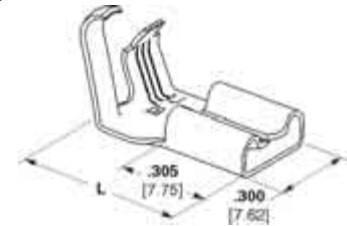
D — Moldable Line



F — Premier Line for Hermetic Tabs



E — Low Insertion Force (LIF)



G — Low Insertion Force (LIF)

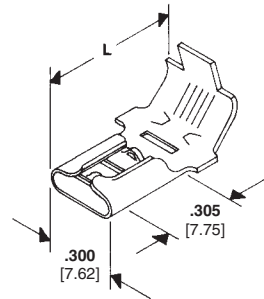
| Wire Range AWG | Style | Tab Fit | Insulation Diameter | Material and Finish | Stock Thickness | L (Overall Length) | UL | SA | SP | Terminal Part Number | |
|----------------|-------|---------|---------------------|----------------------------|----------------------|--------------------|------|----|----------------|------------------------|----------------------|
| 18-12 | D | .032 | .110-.210 | Brass | .018 | .670 | X | — | X | 60645-1 ² | |
| | | 0.81 | 2.79-5.33 | | 0.46 | 17.02 | | | | | |
| | | .032 | 0.81 | .110-.210 | Brass | .016 | .670 | X | — | X | 60641-1 |
| | | | | | | | | | | | |
| | | .032 | 0.81 | .110-.210 | Brass | .016 | .670 | X | — | X | 63445-1 |
| | | | | | | | | | | | |
| | | .032 | 0.81 | .110-.210 | Brass, Tin Plated | .016 | .670 | X | — | X | 63445-2 |
| | | | | | | | | | | | |
| | | .032 | 0.81 | .110-.210 | Brass, Tin Plated | .016 | .670 | X | — | X | 63445-4 ² |
| | | | | | | | | | | | |
| | | .032 | 0.81 | .110-.210 | Steel, Nickel Plated | .016 | .670 | — | X ¹ | X ¹ | 63604-1 ² |
| | | | | | | | | | | | |
| | | .032 | 0.81 | .110-.210 | Brass | .018 | .670 | X | — | X | 63555-1 ² |
| | | | | | | | | | | | |
| | | .032 | 0.81 | .110-.210 | Brass, Tin Plated | .018 | .670 | X | — | X | 63555-2 ² |
| | | | | | | | | | | | |
| | .032 | 0.81 | .110-.210 | Phos Bronze, Tin Plated | .018 | .670 | X | — | X | 41800 ⁴ | |
| | | | | | | | | | | | 2.79-5.33 |
| | .032 | 0.81 | .110-.210 | Brass | .018 | .670 | X | — | X | 41801 ³ | |
| | | | | | | | | | | | 2.79-5.33 |
| | .032 | 0.81 | .110-.210 | Brass, Tin Plated | .018 | .670 | X | — | X | 41802 ³ | |
| | | | | | | | | | | | 2.79-5.33 |
| | .032 | 0.81 | .110-.210 | Phos Bronze, Silver Plated | .018 | .670 | X | — | X | 42041 ⁴ | |
| | | | | | | | | | | | 2.79-5.33 |
| | .032 | 0.81 | .110-.210 | Phos Bronze, Tin Plated | .018 | .670 | X | — | X | 60274-2 ^{4,5} | |
| | | | | | | | | | | | 2.79-5.33 |
| | .032 | 0.81 | .110-.210 | Phos Bronze, Tin Plated | .018 | .670 | X | — | X | 63651-1 ^{4,6} | |
| | | | | | | | | | | | 2.79-5.33 |
| | G | .032 | .110-.210 | Steel, Nickel Plated | .016 | .670 | — | X | — | 1742543-1 ⁷ | |
| | | | | | | | | | | | 0.81 |
| | | .032 | .110-.210 | Brass, Tin Plated | .018 | .670 | X | — | X | 60851-1 ³ | |
| | | | | | | | | | | | 0.81 |
| | | .032 | .110-.210 | Brass, Silver Plated | .018 | .670 | X | — | X | 60851-2 ³ | |
| | | | | | | | | | | | 0.81 |
| | | .032 | .110-.210 | Brass | .018 | .670 | X | — | X | 60851-4 ³ | |
| | | | | | | | | | | | 0.81 |
| | F | .032 | .110-.210 | Phos Bronze, Silver Plated | .018 | .670 | X | — | X | 42563-6 ⁴ | |
| | | | | | | | | | | | 0.81 |
| | | .032 | .110-.210 | Steel, Nickel Plated | .018 | .670 | — | — | — | 42563-9 | |
| | | | | | | | | | | | 0.81 |
| | | .032 | .110-.210 | Phos Bronze, Tin Plated | .018 | .670 | X | — | X | 42563-8 ⁴ | |
| | | | | | | | | | | | 0.81 |
| | | .032 | .110-.265 | Brass | .018 | .670 | X | — | X | 63617-1 ⁶ | |
| | | | | | | | | | | | 0.81 |

¹ 18 AWG only.
² Stress relieved.
³ Recommended for external use only.
⁴ For internal or external use.
⁵ Left handed flag.
⁶ Non-stress relieved.
⁷ UL Recognized 14-18 AWG.

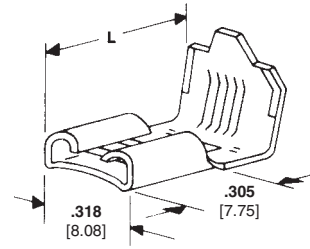
Note: All part numbers are RoHS compliant.

250 Series Tab-Lok Flags (Continued)

**Flag Receptacles,
Non-Insulation Support**



A — Economy Line



**B — Premier Line
for Hermetic Tabs**

| Wire Range AWG | Style | Tab Fit | Insulation Diameter | Material and Finish | Stock Thickness | L (Overall Length) | UL | RA | SP | Terminal Part Number |
|--------------------|-------|--------------|------------------------|----------------------------|--------------------|-----------------------|----|----|----|--------------------------|
| 18-12 | A | .032 0.81 | — | Brass, Pre-Tin Plated | .016 0.41 | .600 15.24 | X | — | X | 61177-2 ³ |
| | | .032 0.81 | — | Brass, Pre-Tin Plated | .016 0.41 | .600 15.24 | X | — | X | 61177-3 ⁴ |
| | | .032 0.81 | — | Brass | .016 0.41 | .600 15.24 | X | — | X | 62091-1 ⁵ |
| | | .032 0.81 | — | Brass, Pre-Tin Plated | .016 0.41 | .600 15.24 | X | — | X | 62091-2 ⁵ |
| | B | .032 0.81 | — | Brass, Tin Plated | .018 0.46 | .610 15.49 | X | — | X | 62021-3 ⁵ |
| | | .032 0.81 | — | Pho. Brz, Silver Plated | .018 0.46 | .670 17.02 | X | — | X | 62056-1 ^{1,3} |
| | | .032 0.81 | — | Pho. Brz, Silver Plated | .018 0.46 | .670 17.02 | X | — | X | 62056-2 ^{1,2,4} |
| | | .032 0.81 | — | Pho. Brz, Tin Plated | .018 0.46 | .670 17.02 | X | — | X | 62056-6 ^{2,3} |
| | | .032 0.81 | — | Pho. Brz, Tin Plated | .018 0.46 | .670 17.02 | X | — | X | 62056-7 ^{1,2,4} |
| | | .032 0.81 | — | Brass, Tin Plated | .018 0.46 | .670 17.02 | X | — | X | 62056-3 ^{2,3} |
| 12-10 or (2) 14 | A | .032 0.81 | — | Brass | .016 0.41 | .670 17.02 | X | — | X | 62011-1 ⁵ |
| | | .032 0.81 | — | Brass, Pre-Tin Plated | .016 0.41 | .670 17.02 | X | — | X | 62011-2 ⁵ |
| 12-10 | B | .032 0.81 | — | Pho. Brz, Silver Plated | .018 0.46 | .670 17.02 | X | — | X | 62057-1 ^{1,3} |
| | | .032 0.81 | — | Brass, Tin Plated | .018 0.46 | .670 17.02 | X | — | X | 62057-3 ³ |
| | | .032 0.81 | — | Brass, Tin Plated | .018 0.46 | .670 17.02 | X | — | X | 62057-4 ⁴ |
| | | .032 0.81 | — | Pho. Brz, Silver Plated | .018 0.46 | .670 17.02 | X | — | X | 62057-7 ⁴ |
| | | .032 0.81 | — | Pho. Brz, Silver Plated | .018 0.46 | .670 17.02 | X | — | X | 62022-1 ⁵ |
| | | .032 0.81 | — | Brass, Tin Plated | .018 0.46 | .670 17.02 | X | — | X | 62022-2 ⁵ |

¹ For internal or external use.

² Reverse reel.

³ Right handed flag.

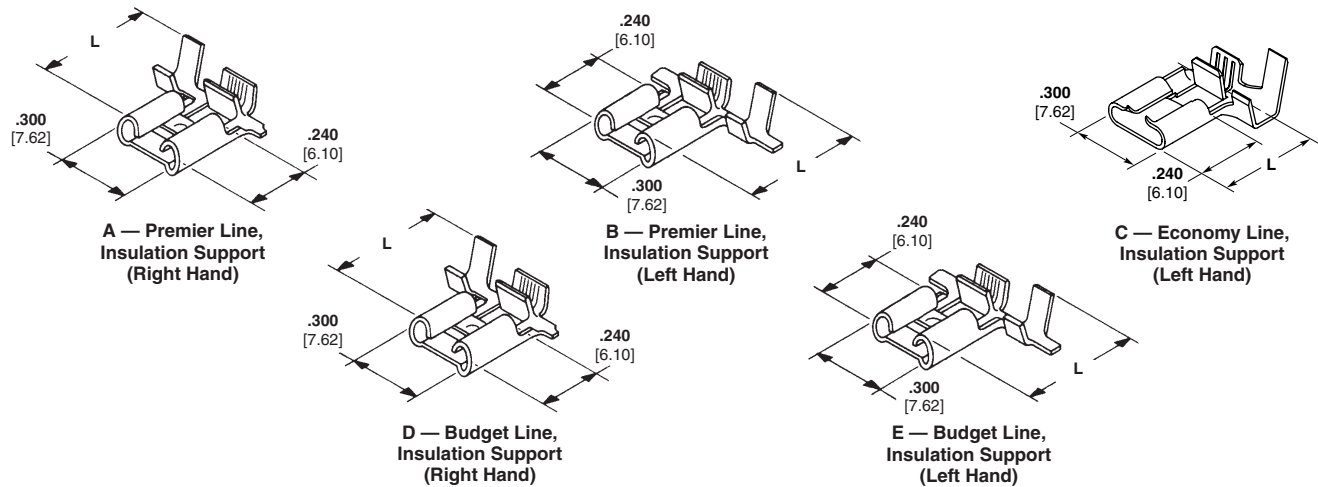
⁴ Left handed flag.

⁵ Right or left handed. Carrier out front for through splicing.

Note: All part numbers are RoHS compliant.

250 Series F-Crimp Flags

Flag Receptacles



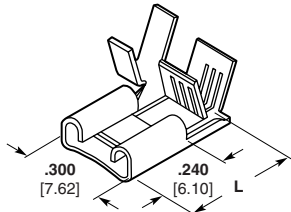
| Wire Range AWG | Style | Tab Fit | Insulation Diameter | Material and Finish | Stock Thickness | L (Overall Length) | UL | RoHS | SR | Terminal Part Number |
|-------------------|-------|--------------|-------------------------|-------------------------|--------------------|-----------------------|----|------|----|-------------------------|
| 22-18 | B | .032 0.81 | .060 -.110 1.52-2.79 | Brass | .016 0.41 | .540 13.72 | X | — | X | 62813-1 |
| | | .032 0.81 | .060 -.110 1.52-2.79 | Brass, Tin Plated | .016 0.41 | .540 13.72 | X | — | X | 62813-2 |
| | A | .032 0.81 | .060 -.110 1.52-2.79 | Brass | .016 0.41 | .540 13.72 | X | — | X | 62814-1 |
| | | .032 0.81 | .060 -.110 1.52-2.79 | Brass, Tin Plated | .016 0.41 | .540 13.72 | X | — | X | 62814-2 |
| | D | .032 0.81 | .060 -.110 1.52-2.79 | Brass | .016 0.41 | .540 13.72 | X | — | X | 62718-1 |
| | | .032 0.81 | .060 -.110 1.52-2.79 | Brass, Tin Plated | .016 0.41 | .540 13.72 | X | — | X | 62718-2 |
| 18-14 or (2)18 | B | .032 0.81 | .110-.200 2.79-5.08 | Brass | .016 0.41 | .540 13.72 | X | — | X | 63538-1 ¹ |
| | | .032 0.81 | .110-.200 2.79-5.08 | Steel, Nickel Plated | .016 0.41 | .540 13.72 | — | X | — | 63963-1 |
| 18-14 | A | .032 0.81 | .110-.160 2.79-4.06 | Brass, Tin Plated | .016 0.41 | .540 13.72 | X | — | X | 63901-1 ¹ |
| | | .032 0.81 | .110-.160 2.79-4.06 | Brass | .016 0.41 | .540 13.72 | X | — | X | 63901-2 ¹ |
| | B | .032 0.81 | .110 -.160 2.79-4.06 | Brass | .016 0.41 | .540 13.72 | X | — | X | 63011-1 |
| | | .032 0.81 | .110 -.160 2.79-4.06 | Brass, Tin Plated | .016 0.41 | .540 13.72 | X | — | X | 63011-2 |
| | A | .032 0.81 | .110 -.160 2.79-4.06 | Brass | .016 0.41 | .540 13.72 | X | — | X | 63012-1 |
| | | .032 0.81 | .110 -.160 2.79-4.06 | Brass, Tin Plated | .016 0.41 | .540 13.72 | X | — | X | 63012-2 |
| | E | .032 0.81 | .110 -.160 2.79-4.06 | Brass | .016 0.41 | .540 13.72 | X | — | X | 63009-1 |
| | | .032 0.81 | .110 -.160 2.79-4.06 | Brass, Tin Plated | .016 0.41 | .540 13.72 | X | — | X | 63009-2 |
| | D | .032 0.81 | .110 -.160 2.79-4.06 | Brass | .016 0.41 | .540 13.72 | X | — | X | 63010-1 |
| | | .032 0.81 | .110 -.160 2.79-4.06 | Brass, Tin Plated | .016 0.41 | .540 13.72 | X | — | X | 63010-2 |
| | C | .032 0.81 | — | Brass | .016 0.41 | .430 10.92 | X | — | X | 63508-1 ² |
| | | .032 0.81 | .110 -.160 2.79-4.06 | Brass | .016 0.41 | .540 13.72 | X | — | X | 63096-1 |
| 16-12 | A | .032 0.81 | .110 -.160 2.79-4.06 | Brass, Tin Plated | .016 0.41 | .540 13.72 | X | — | X | 63096-2 |
| | | .032 0.81 | .120 -.170 3.05-4.32 | Brass, Tin Plated | .018 0.45 | .700 17.78 | X | — | X | 1742718-1 |

¹ Low Insertion Force.
² No insulation support.

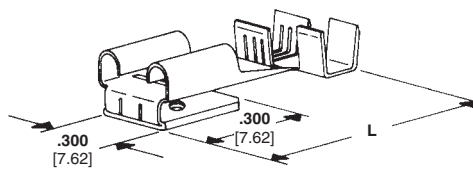
Note: All part numbers are RoHS compliant.

250 Series F-Crimp Flags (Continued)

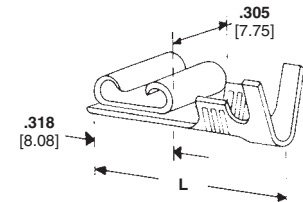
Flag Receptacles (Continued)



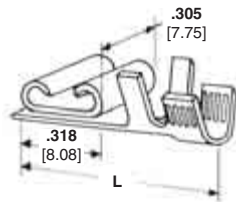
A — Center Strip, F-Crimp



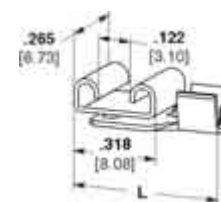
B — Receptacle Tab Combination, F-Crimp



C — Reversible Flag, Straight End Feed



D — Reversible Flag for Hermetic Tabs, Side Feed



E — Reversible Flag for Hermetic Tabs, Side Feed

| Wire Range AWG | Style | Tab Fit | Insulation Diameter | Material and Finish | Stock Thickness | L (Overall Length) | UL | RU | SR | Terminal Part Number | | | | | | | | | | |
|----------------|-------|---------|---------------------|----------------------|----------------------|--------------------|------|------|----|-----------------------|----------------------|-------|------|----------------------|-------------------|-----------|----------------------|------|------|-----------------------|
| 20-16 | D | .032 | .085-.150 | Phos Brz, Tin Plated | .018 | .640 | X | — | X | 63137-1 | | | | | | | | | | |
| | | 0.81 | 2.16-3.81 | | 0.46 | 16.26 | | | | | | | | | | | | | | |
| | A | .032 | 0.81 | — | Brass | .016 | .430 | X | — | X | 63315-1 ³ | | | | | | | | | |
| | | | | | | | | | | | | .032 | 0.81 | — | Brass, Tin Plated | .016 | .430 | X | — | X |
| | | .032 | 0.81 | .110-.160 | Brass | .016 | .540 | X | — | X | 63314-1 | | | | | | | | | |
| | | | | | | | | | | | | .032 | 0.81 | 2.79-4.06 | Brass, Tin Plated | .016 | .540 | X | — | X |
| | | B | .032 | 0.81 | .120-.170 | Brass, Tin Plated | .016 | .630 | X | — | X | | | | | | | | | |
| | | | | | | | | | | | | .032 | 0.81 | .090-.130 | Brass | .016 | .710 | X | — | X |
| | | C | .032 | 0.81 | 2.29-3.30 | Brass, Tin Plated | .016 | .710 | X | — | X | | | | | | | | | |
| | | | | | | | | | | | | .032 | 0.81 | .170-.220 | Brass, Tin Plated | .016 | .710 | X | — | X |
| E | .032 | 0.81 | — | Brass | .018 | .640 | — | — | — | 63647-11 ³ | | | | | | | | | | |
| | | | | | | | | | | | .032 | 0.81 | — | Phos Brz, Tin Plated | .018 | .640 | — | — | — | 63647-21 ³ |
| | | | | | | | | | | | | | | | | | | | | |
| 16-12 | D | .032 | 0.81 | .130-.170 | Phos Brz, Tin Plated | .018 | .640 | X | — | X | 61188-1 ² | | | | | | | | | |
| | | | | | | | | | | | | 12-10 | D | .032 | 0.81 | .130-.170 | Phos Brz, Tin Plated | .018 | .640 | X |

¹ No Dimple.

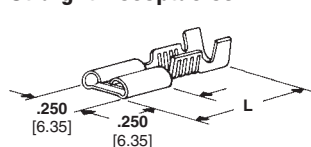
² Bends terminal 90°. For 180° bend use applicator 687616-2 with Press 694234-7.

³ No insulation support.

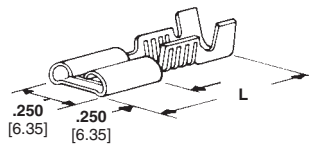
Note: All part numbers are RoHS compliant.

205 Series Receptacles

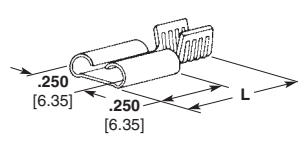
Straight Receptacles



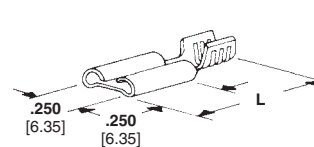
A — Premier Line, Insulation Support



B — Economy Line, Insulation Support



C — Premier line Non-Insulation Support



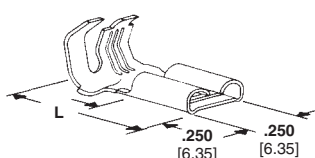
D — Economy Line, Non-Insulation Support

| Wire Range AWG | Style | Tab Fit | Insulation Diameter | Material and Finish | Stock Thickness | L (Overall Length) | UL | RA | SP | Terminal Part Number |
|----------------|-------|---------|---------------------|----------------------|-----------------|--------------------|----|----|----------------------|----------------------|
| 26-22 | A | .020 | .050-.070 | Brass, Tin Plated | .012 | .620 | X | — | X | 60674-1 ¹ |
| | | 0.51 | 1.27-1.78 | Brass | 0.31 | 15.75 | X | — | X | 42198-1 |
| | A | .020 | .085-.125 | Brass, Tin Plated | .012 | .615 | X | — | X | 42198-2 |
| | | 0.51 | 2.16-3.18 | Brass, Tin Plated | 0.31 | 15.62 | X | — | X | 42299-2 |
| 22-18 | B | .020 | .085-.125 | Brass | .012 | .615 | X | — | X | 42710-1 |
| | | 0.51 | 2.16-3.18 | Brass, Tin Plated | 0.31 | 15.62 | X | — | X | 42710-2 |
| | B | .032 | .085-.125 | Brass, Tin Plated | .012 | .615 | X | — | X | 60904-2 |
| | | 0.81 | 2.16-3.18 | Brass, Tin Plated | 0.31 | 15.62 | X | — | X | 42197-2 ² |
| | C | .020 | — | Brass, Tin Plated | .012 | .470 | X | — | X | 42197-2 ² |
| | | 0.51 | — | Brass, Tin Plated | 0.31 | 11.94 | X | — | X | 42233-2 |
| 18-14 | A | .032 | .130-.180 | Brass, Tin Plated | .016 | .615 | X | — | X | 42233-2 |
| | | 0.81 | 3.30-4.57 | Phos Brz, Tin Plated | 0.41 | 15.62 | X | — | X | 42233-7 |
| | B | .020 | .130-.180 | Brass, Tin Plated | .012 | .615 | X | — | X | 42713-2 |
| | | 0.51 | 3.30-4.57 | Brass, Tin Plated | 0.31 | 15.62 | X | — | X | 42781-2 |
| | C | .020 | .130-.180 | Brass, Tin Plated | .016 | .615 | X | — | X | 42781-2 |
| | | 0.51 | 3.30-4.57 | Brass, Tin Plated | 0.41 | 15.62 | X | — | X | 42239-4 |
| | C | .032 | — | Phos Brz, Tin Plated | .016 | .470 | X | — | X | 42239-4 |
| | | 0.81 | — | Phos Brz, Tin Plated | 0.41 | 11.94 | X | — | X | 42712-2 ² |
| D | .020 | — | Brass, Tin Plated | .012 | .470 | X | — | X | 42712-2 ² | |
| | 0.51 | — | Brass, Tin Plated | 0.31 | 11.94 | X | — | X | 42712-2 ² | |

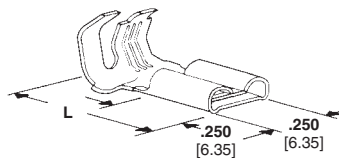
¹ UL listed and CSA certified for 22 AWG.

² Moldable.

Flag Receptacles



E — Premier Line, Tab-Lok Flag



F — Economy Line, Tab-Lok Flag

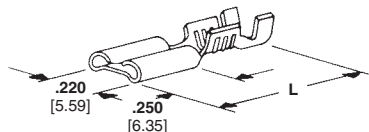
| Wire Range AWG | Style | Tab Fit | Insulation Diameter | Material and Finish | Stock Thickness | L (Overall Length) | UL | RA | SP | Terminal Part Number |
|----------------|-------|-----------|---------------------|---------------------|-----------------|--------------------|----|----|----------------------|----------------------|
| 20-16 | E | .020 | .110-.170 | Brass | .012 | .530 | X | — | X | 42199-1 |
| | | 0.51 | 2.79-4.32 | Brass, Tin Plated | 0.31 | 13.46 | X | — | X | 42199-2 |
| 20-14 | E | .020 | .110-.170 | Brass, Tin Plated | .016 | .530 | X | — | X | 62354-1 |
| | | 0.51 | 2.79-4.32 | Brass, Tin Plated | 0.41 | 13.46 | X | — | X | 42234-2 |
| | F | .032 | .110-.170 | Brass, Tin Plated | .016 | .530 | X | — | X | 42234-2 |
| | | 0.81 | 2.79-4.32 | Brass, Tin Plated | 0.41 | 13.46 | X | — | X | 60195-1 ¹ |
| F | .032 | .110-.170 | Brass, Tin Plated | .016 | .530 | X | — | X | 60195-1 ¹ | |
| | 0.81 | 2.79-4.32 | Brass, Tin Plated | 0.41 | 13.46 | X | — | X | 60195-2 ¹ | |

¹ Moldable.

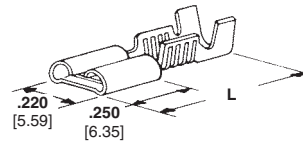
Note: All part numbers are RoHS compliant.

187 Series Receptacles

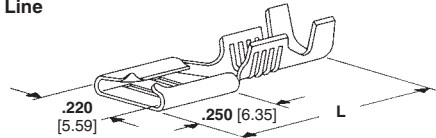
Straight Receptacles



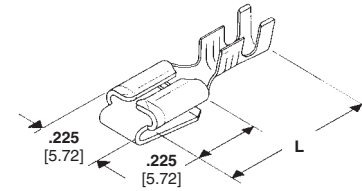
A — Premier Line



B — Budget Line



C — Economy Line



F — Commercial Line
Receptacle & Tab Combination

| Wire Range AWG | Style | Tab Fit | Insulation Diameter | Material and Finish | Stock Thickness | L (Overall Length) | UL | CSA | Terminal Part Number | | |
|-------------------|-----------|----------------------|------------------------|-------------------------|----------------------|-----------------------|-------|----------------|-------------------------|----------------|---------|
| 24-20 | A | .020 | .040-.070 | Brass, Tin Plated | .012 | .590 | UL | CSA | 60573-1 | | |
| | | 0.51 | 1.02-1.78 | Brass | 0.31 | 14.99 | | | X ² | X ² | 60573-2 |
| | | .020 | .040-.070 | Phos Brz, Tin Plated | .012 | .590 | | | X | X | 62187-2 |
| | | 0.51 | 1.02-1.78 | Brass, Tin Plated | .012 | .585 | | | X ² | X ² | 62138-1 |
| | | 0.51 | 1.52-2.79 | Brass | 0.31 | 14.86 | | | X ² | X ² | 62138-2 |
| | B | C | .021 | .060-.110 | Brass, Tin Plated | .012 | .590 | — | — | 1217129-1 | |
| | | | 0.53 | 1.52-2.79 | Brass, Tin Plated | 0.31 | 14.99 | — | — | — | |
| | | | .032 | .040-.070 | Brass, Tin Plated | .012 | .590 | X ² | X ² | 62181-1 | |
| | | | 0.81 | 1.02-1.78 | Brass, Tin Plated | 0.31 | 14.99 | X | X | 63931-1 | |
| | | | 0.81 | 2.29-3.81 | Brass, Tin Plated | 0.31 | 14.86 | X | X | 63347-1 | |
| 22-18 | F | .020 | .060-.100 | Brass, Tin Plated | .014 | .615 | X | X | 63873-1 ⁵ | | |
| | | 0.51 | 1.52-2.54 | Brass, Tin Plated | 0.36 | 15.62 | X | X | 1217084-1 ⁵ | | |
| | | .020 | .090-.130 | Brass, Tin Plated | .014 | .615 | X | X | 1217084-1 ⁵ | | |
| | | 0.51 | 2.29-3.30 | Brass, Tin Plated | 0.36 | 15.62 | X | X | 1217084-1 ⁵ | | |
| 20-16 | A | .015 | — | Brass, Tin Plated | .012 | .470 | — | — | 42374-2 ¹ | | |
| | | 0.38 | — | Brass, Tin Plated | 0.31 | 11.94 | — | — | — | | |
| | | .015 | .090-.130 | Brass, Tin Plated | .012 | .590 | — | — | 42453-2 | | |
| | | 0.38 | 2.29-3.30 | Brass, Tin Plated | 0.31 | 14.99 | — | — | — | | |
| | | .020 | — | Brass, Tin Plated | .012 | .470 | X | X | 42373-2 ¹ | | |
| | | 0.51 | — | Steel, Nickel Plated | 0.31 | 11.94 | — | X | — | | |
| | | .020 | .060-.110 | Brass | .012 | .585 | X | X | 62137-1 | | |
| | | 0.51 | 1.52-2.79 | Brass, Tin Plated | 0.31 | 14.86 | X | X | 62137-2 | | |
| | | .020 | .090-.130 | Brass | .012 | .590 | X | X | 42452-1 | | |
| | | 0.51 | 2.29-3.30 | Brass, Tin Plated | 0.31 | 14.99 | X | X | 42452-2 | | |
| | | .020 | .090-.130 | Phos Brz, Tin Plated | .012 | .590 | X | X | 42452-5 | | |
| | | 0.51 | 2.29-3.30 | Steel, Nickel Plated | 0.31 | 14.99 | — | X | X | 60621-1 | |
| | | .020 | .090-.130 | Steel, Nickel Plated | .012 | .590 | — | X | X | 63850-1 | |
| | | 0.81 | 2.29-3.30 | Brass | 0.31 | 14.99 | — | X | X | 61758-1 | |
| .032 | .090-.130 | Brass, Tin Plated | .012 | .585 | X | X | X | 61758-2 | | | |
| 0.81 | 2.29-3.30 | Brass, Tin Plated | 0.31 | 14.86 | X | X | X | 61758-2 | | | |

¹ No Insulation support.

² UL listed and CSA certified for 22- 20 AWG.

³ Also capable of accepting (2) 20 AWG wires.

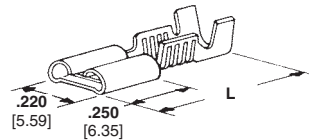
⁴ Stress relieved.

⁵ Tab stock thickness .020 [0.51].

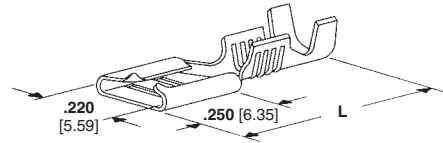
Note: All part numbers are RoHS compliant.

187 Series Receptacles (Continued)

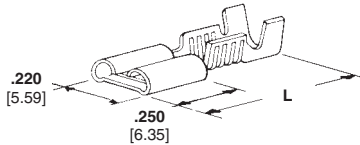
Straight Receptacles (Continued)



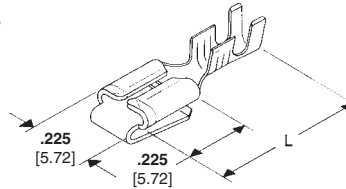
B — Budget Line



C — Economy Line



E — Moldable Line



F — Commercial Line Receptacle & Tab Combination

FASTON Receptacles

| Wire Range AWG | Style | Tab Fit | Insulation Diameter | Material and Finish | Stock Thickness | L (Overall Length) | UL | RA | SP | Terminal Part Number | | |
|-------------------|------------------------|--------------|------------------------|-------------------------|----------------------|-----------------------|---------------|---------------|----|-------------------------|----------------------|----------------------|
| 20-16 | B | .020 0.51 | .090-.130 2.29-3.30 | Brass | .012 0.31 | .585 14.86 | X | — | X | 42617-1 | | |
| | | .020 0.51 | .090-.130 2.29-3.30 | Steel, Nickel Plated | .012 0.31 | .585 14.86 | — | X | X | 63959-1 | | |
| | | .020 0.51 | .090-.130 2.29-3.30 | Brass, Tin Plated | .012 0.31 | .585 14.86 | X | — | X | 42617-2 | | |
| | | .032 0.81 | — | Brass | .012 0.31 | .475 12.07 | X | — | X | 63785-1 ¹ | | |
| | | .032 0.81 | .090-.130 2.29-3.30 | Brass | .012 0.31 | .585 14.86 | X | — | X | 63477-1 | | |
| | | .032 0.81 | .090-.130 2.29-3.30 | Brass, Tin Plated | .012 0.31 | .585 14.86 | X | — | X | 63477-2 | | |
| | | .020 0.51 | — | Brass | .012 0.31 | .475 12.07 | X | — | X | 42799-1 ¹ | | |
| | | .020 0.51 | — | Brass, Tin Plated | .012 0.31 | .475 12.07 | X | — | X | 42799-2 ¹ | | |
| | | .020 0.51 | .090-.130 2.29-3.30 | Brass | .012 0.31 | .590 14.99 | X | — | X | 42801-1 | | |
| | | .020 0.51 | .090-.130 2.29-3.30 | Brass, Tin Plated | .012 0.31 | .590 14.99 | X | — | X | 42801-2 | | |
| | C | .020 0.51 | .090-.130 2.29-3.30 | .090 2.29 | Brass | .012 0.31 | .590 14.99 | X | — | X | 61892-1 ³ | |
| | | .032 0.81 | — | — | Brass, Tin Plated | .012 0.31 | .475 12.07 | X | — | X | 61969-1 ¹ | |
| | | .032 0.81 | .090-.130 2.29-3.30 | — | Brass | .012 0.31 | .590 14.99 | X | — | X | 60196-1 | |
| | | .032 0.81 | .090-.130 2.29-3.30 | — | Brass, Tin Plated | .012 0.31 | .590 14.99 | X | — | X | 60196-2 | |
| | | .039 0.99 | .090-.130 2.29-3.30 | — | Brass, Tin Plated | .012 0.31 | .590 14.99 | — | — | — | 63751-1 | |
| | | E | .020 0.51 | .090-.130 2.29-3.30 | — | Brass | .012 0.31 | .585 14.86 | X | — | X | 60214-1 |
| | | | .020 0.51 | .090-.130 2.29-3.30 | — | Brass, Tin Plated | .012 0.31 | .585 14.86 | X | — | X | 60214-2 |
| | | F | .020 0.51 | .060-.110 1.52-2.79 | — | Brass, Tin Plated | .014 0.36 | .615 15.62 | X | — | X | 62139-1 ⁵ |
| | .020 0.51 | | .090-.130 2.29-3.30 | — | Brass, Tin Plated | .014 0.36 | .615 15.62 | X | — | X | 62026-1 ⁵ | |
| | .020 0.51 | | .090-.130 2.29-3.30 | — | Brass | .014 0.36 | .615 15.62 | X | — | X | 62026-2 ⁵ | |
| .032 0.81 | .090-.130 2.29-3.30 | | — | Brass | .014 0.36 | .615 15.62 | X | — | X | 63646-1 ⁵ | | |
| | | .032 0.81 | .090-.130 2.29-3.30 | — | Brass, Tin Plated | .014 0.36 | X | — | X | 63646-2 ⁵ | | |

¹ No Insulation support.

² UL listed and CSA certified for 22- 20 AWG.

³ Also capable of accepting (2) 20 AWG wires.

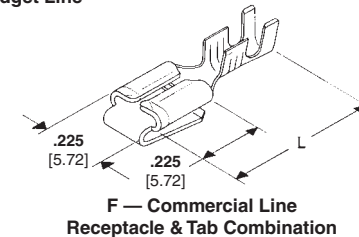
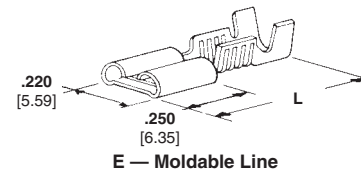
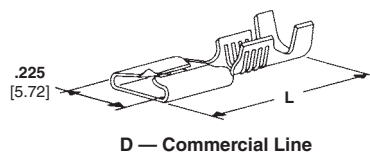
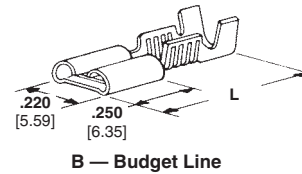
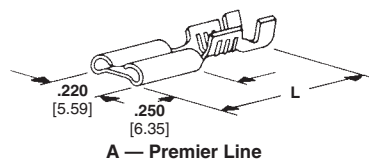
⁴ Stress relieved.

⁵ Tab stock thickness .020 [0.51].

Note: All part numbers are RoHS compliant.

187 Series Receptacles (Continued)

Straight Receptacles (Continued)



| Wire Range AWG | Style | Tab Fit | Insulation Diameter | Material and Finish | Stock Thickness | L (Overall Length) | UL | RU | SP | Terminal Part Number |
|--------------------|---|---|---|---|--------------------|-----------------------|---------------|----|----------------------|-------------------------|
| 18-16 or (2) 18 | A | .020 0.51 | .105-.210 2.67-5.33 (2) .105 Max. | Brass, Tin Plated | .012 0.31 | .590 14.99 | X | — | X | 60487-2 |
| | | | .105-.210 2.67-5.33 (2) .105 Max. | Brass | .012 0.31 | .590 14.99 | X | — | X | 60487-1 |
| | | .032 0.81 | .105-.210 2.67-5.33 (2) .105 Max. | Brass, Tin Plated | .012 0.31 | .590 14.99 | X | — | X | 61945-1 |
| | .105-.210 2.67-5.33 (2) .105 Max. | | Steel, Nickel Plated | .012 0.31 | .590 14.99 | — | X | X | 61945-2 | |
| | B | | .032 0.81 | .105-.210 2.67-5.33 (2) .105 Max. | Brass | .012 0.31 | .590 14.99 | X | — | X |
| | E | .020 0.51 | .105-.210 2.67-5.33 (2) .105 Max. | Brass | .012 0.31 | .590 14.99 | X | — | X | 63470-1 |
| 18-14 or (2) 16 | D | .020 0.51 | .180-.230 4.57-5.84 (2) .110 Max. | Brass | .014 0.36 | .640 16.26 | X | — | X | 60742-1 |
| | | | .180-.230 4.57-5.84 (2) .110 Max. | Brass, Tin Plated | .014 0.36 | .640 16.26 | X | — | X | 60742-2 |
| | | .180-.230 4.57-5.84 (2) .110 Max. | Brass, Tin Plated | .014 0.36 | .640 16.26 | X | — | X | 63749-2 ⁴ | |
| | .025 0.64 | .180-.230 4.57-5.84 (2) .110 Max. | Brass | .014 0.36 | .640 16.26 | — | — | — | 63832-1 | |
| | | .032 0.81 | .180-.230 4.57-5.84 (2) .110 Max. | Brass | .014 0.36 | .640 16.26 | X | — | X | 63596-1 |
| | | | .180-.230 4.57-5.84 (2) .110 Max. | Brass, Pre-Tin | .014 0.36 | .640 16.26 | X | — | X | 63596-2 |
| 18-14 | A | .020 0.51 | .110-.160 2.79-4.06 | Brass, Tin Plated | .012 0.31 | .590 14.99 | X | — | X | 1217149-1 |
| | D | .020 0.51 | .150-.190 3.81-4.83 | Brass | .014 0.36 | .640 16.26 | X | — | X | 62016-1 |
| | | | .150-.190 3.81-4.83 | Brass, Tin Plated | .014 0.36 | .640 16.26 | X | — | X | 62016-2 |
| | | .032 0.81 | .150-.190 3.81-4.83 | Brass, Pre-Tin | .014 0.36 | .640 16.26 | X | — | X | 63697-1 |
| | F | .020 0.51 | .110-.160 2.79-4.06 | Brass, Tin Plated | .014 0.36 | .615 15.62 | — | — | — | 1217151-1 ⁵ |

¹ No Insulation support.

² UL listed and CSA certified for 22- 20 AWG.

³ Also capable of accepting (2) 20 AWG wires.

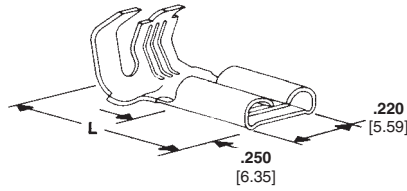
⁴ Stress relieved.

⁵ Tab stock thickness .020 [0.51].

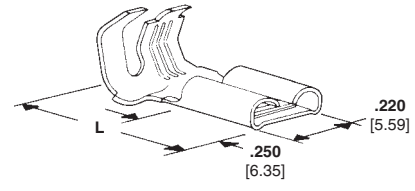
Note: All part numbers are RoHS compliant.

187 Series Tab-Lok Flags

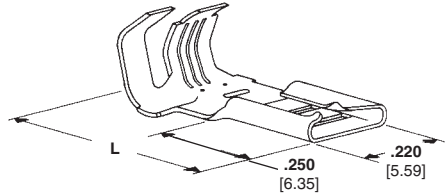
Flag Receptacles,
Insulation Support



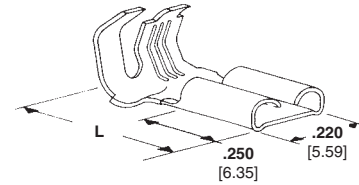
A — Premier Line



B — Budget Line



C — Economy Line



D — Moldable Line

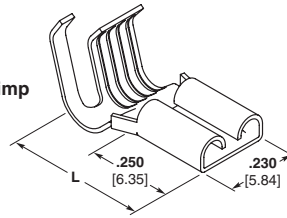
| Wire Range AWG | Style | Tab Fit | Insulation Diameter | Material and Finish | Stock Thickness | L (Overall Length) | UL | SAE | CFR | Terminal Part Number | |
|-------------------|--------------------|--------------|------------------------|---|---|-----------------------|---------------|---------------|-----|-------------------------|-----------|
| 20-16 | A | .020 0.51 | .110-.170 2.79-4.32 | Brass | .012 0.31 | .530 13.46 | X | — | X | 42486-1 | |
| | | .020 0.51 | .110-.170 2.79-4.32 | Brass, Tin Plated | .012 0.31 | .530 13.46 | X | — | X | 42486-2 | |
| | | .020 0.51 | .110-.170 2.79-4.32 | Steel, Nickel Plated | .012 0.31 | .530 13.46 | — | X | X | 42486-3 | |
| | | .020 0.51 | .110-.170 2.79-4.32 | Brass, Silver Plated | .012 0.31 | .530 13.46 | X | — | X | 42486-4 | |
| | | .032 0.81 | .110-.170 2.79-4.32 | Brass, Tin Plated | .012 0.31 | .530 13.46 | X | — | X | 62591-1 | |
| | | .032 0.81 | .110-.170 2.79-4.32 | Steel, Nickel Plated | .012 0.31 | .530 13.46 | — | X | X | 63696-1 | |
| | | .020 0.51 | .110-.170 2.79-4.32 | Brass | .012 0.31 | .530 13.46 | X | — | X | 42618-1 | |
| | | .020 0.51 | .110-.170 2.79-4.32 | Brass, Tin Plated | .012 0.31 | .530 13.46 | X | — | X | 42618-2 | |
| | | .020 0.51 | .170-.225 4.32-5.72 | Brass | .012 0.31 | .575 14.61 | X | — | X | 62817-1 | |
| | | .032 0.81 | .110-.170 2.79-4.32 | Brass | .012 0.31 | .530 13.46 | X | — | X | 63748-1 | |
| | C | .020 0.51 | .110-.170 2.79-4.32 | Brass | .012 0.31 | .530 13.46 | X | — | X | 42800-1 | |
| | | .020 0.51 | .110-.170 2.79-4.32 | Brass, Tin Plated | .012 0.31 | .530 13.46 | X | — | X | 42800-2 | |
| | | .032 0.81 | .110-.170 2.79-4.32 | Brass | .012 0.31 | .530 13.46 | X | — | X | 60529-1 | |
| | | .032 0.81 | .110-.170 2.79-4.32 | Brass, Tin Plated | .012 0.31 | .530 13.46 | X | — | X | 60529-2 | |
| | | D | .020 0.51 | .110-.170 2.79-4.32 | Brass | .012 0.31 | .530 13.46 | X | — | X | 61029-1 |
| | | | .020 0.51 | .110-.170 2.79-4.32 | Brass, Tin Plated | .012 0.31 | .530 13.46 | X | — | X | 61029-2 |
| | 18-14 or (2) 18 | A | .032 0.81 | .110-.190 2.79-4.83 (2) .105 Max. 2.67 | Brass, Tin Plated | .014 0.36 | .530 14.36 | X | — | X | 1742422-1 |
| | | | B | .032 0.81 | .110-.190 2.79-4.83 (2) .105 Max. 2.67 | Brass, Tin Plated | .014 0.36 | .530 14.36 | X | — | X |

Note: All part numbers are RoHS compliant.

187 Series C-Crimp Flag Receptacles

C-Crimp Line

A — 187 Series C-Crimp Flag Receptacles

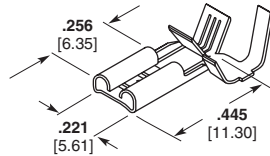


| Wire Range AWG | Style | Tab Fit | Insulation Diameter | Material and Finish | Stock Thickness | L (Overall Length) | UL | RA | SP | Terminal Part Number |
|----------------|-------|--------------|------------------------|---------------------|-----------------|--------------------|----------------|----|----------------|----------------------|
| 20-16 | A | .020 0.51 | .090-.130 2.29-3.30 | Brass | .014 0.36 | .522 13.26 | X | — | X | 1217009-1 |
| | | .020 0.51 | .090-.130 2.29-3.30 | Brass, Tin Plated | .014 0.36 | .522 13.26 | X | — | X | 1217009-2 |
| | | .032 0.81 | .090-.130 2.29-3.30 | Brass | .014 0.36 | .522 13.26 | X | — | X | 1217010-1 |
| | | .032 0.81 | .090-.130 2.29-3.30 | Brass, Tin Plated | .014 0.36 | .522 13.26 | X | — | X | 1217010-2 |
| 18-14 | A | .032 0.81 | .100-.155 2.54-3.94 | Brass | .016 0.41 | .535 13.59 | X ¹ | — | X ¹ | 1217244-1 |
| | | .032 0.81 | .100-.155 2.54-3.94 | Brass, Tin Plated | .016 0.41 | .535 13.59 | X | — | X | 1217244-2 |

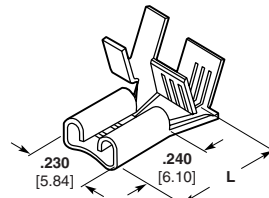
¹ 16 & 18 AWG only.

187 Series F-Crimp Flags

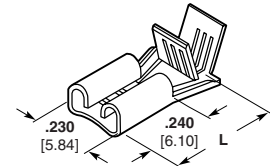
F-Crimp Line



A — End of Wire with Insulation Support



B — Center Strip with Insulation Support



C — Center Strip with No Insulation Support

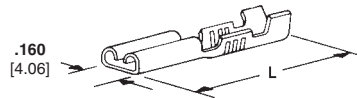
| Wire Range AWG | Style | Tab Fit | Insulation Diameter | Material and Finish | Stock Thickness | L (Overall Length) | UL | RA | SP | Terminal Part Number |
|-----------------|-------|--------------|---|----------------------|-----------------|--------------------|----------------|----------------|----------------|----------------------|
| 22-18 | A | .020 0.51 | .060-.110 1.52-2.79 | Brass | 0.012 0.31 | 0.445 11.30 | X | — | X | 1742086-1 |
| | | .020 0.51 | .060-.110 1.52-2.79 | Brass, Tin Plated | 0.012 0.31 | 0.445 11.30 | X | — | X | 1742086-2 |
| | | .032 0.81 | .060-.110 1.52-2.79 | Brass | 0.012 0.31 | 0.445 11.30 | X | — | X | 1742087-1 |
| | | .032 0.81 | .060-.110 1.52-2.79 | Brass, Tin Plated | 0.012 0.31 | 0.445 11.30 | X | — | X | 1742087-2 |
| 20-16 | B | .020 0.51 | .090-.130 2.29-3.30 | Brass | .012 0.31 | .596 15.14 | — | — | — | 626412-1 |
| | | .020 0.51 | .060-.150 1.52-3.81 | Brass | .016 0.41 | .430 10.92 | X | — | X | 63512-1 |
| 18-14 | B | .032 0.81 | .060-.150 1.52-3.81 | Brass | .016 0.41 | .430 10.92 | X | — | X | 63316-1 |
| | | .032 0.81 | .060-.150 1.52-3.81 | Brass, Tin Plated | .016 0.41 | .430 10.92 | X | — | X | 63316-2 |
| | C | .032 0.81 | — | Steel, Nickel Plated | .016 0.41 | .430 10.92 | — | X | X | 63316-3 |
| | | .032 0.81 | — | Brass | .016 0.41 | .430 10.92 | X | — | X | 63317-1 |
| 18-14 or (2) 18 | A | .020 0.51 | .110-.150 or 2-110 2.79-3.81 or 2-2.79 max | Brass | 0.012 0.31 | 0.445 11.30 | X ¹ | — | X ¹ | 1742088-1 |
| | | .020 0.51 | .110-.150 or 2-110 2.79-3.81 or 2-2.79 max | Brass, Tin Plated | 0.012 0.31 | 0.445 11.30 | X ¹ | — | X ¹ | 1742088-2 |
| | | .032 0.81 | .110-.150 or 2-110 2.79-3.81 or 2-2.79 max | Brass | 0.012 0.31 | 0.445 11.30 | X ¹ | — | X ¹ | 1742089-1 |
| | | .032 0.81 | .110-.150 or 2-110 2.79-3.81 or 2-2.79 max | Brass, Tin Plated | 0.012 0.31 | 0.445 11.30 | X ¹ | — | X ¹ | 1742089-2 |
| 18 or (2) 18 | A | .020 0.51 | .110-.150 or 2-110 2.79-3.81 or 2-2.79 max | Steel, Nickel Plated | 0.012 0.31 | 0.445 11.30 | — | X ¹ | — | 1742312-1 |
| | | .032 0.81 | .110-.150 or 2-110 2.79-3.81 or 2-2.79 max | Steel, Nickel Plated | 0.012 0.31 | 0.445 11.30 | — | X ¹ | — | 1742049-1 |

¹ UL/CSA Approved for 18 & 16 AWG only

Note: All part numbers are RoHS compliant.

125 Series Receptacles

Insulation Support

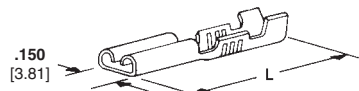


A - Receptacle with Insulation Support

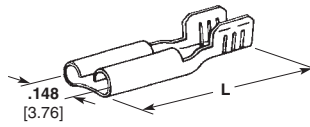
| Wire Range AWG | Style | Tab Fit | Insulation Diameter | Material and Finish | Stock Thickness | L (Overall Length) | UL | RA | SP | Terminal Part Number |
|----------------|-------|--------------|------------------------|---------------------|-----------------|--------------------|----|----|----|----------------------|
| 22-18 | A | .020 0.51 | .090-.110 2.29-2.79 | Brass | .010 0.25 | .635 16.13 | — | — | — | 63705-1 |

110 Series Receptacles

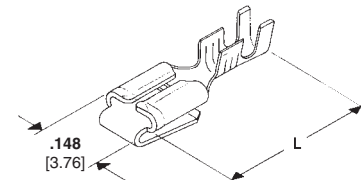
Straight Receptacles



A — FASTON Receptacles with Insulation Support



B — FASTON Receptacles with No Insulation Support



C — Commercial Line Receptacle and Tab Combination

| Wire Range AWG | Style | Fits Tab Type ⁷ | Tab Fit | Insulation Diameter | Material and Finish | Stock Thickness | L (Overall Length) | UL | RA | SP | Terminal Part Number |
|----------------|-------|----------------------------|--------------|------------------------|---------------------|-----------------|--------------------|----------------|----|----|----------------------|
| 26-22 | B | — | .020 0.51 | — | Brass, Tin Plated | .010 0.25 | .327 8.31 | — | — | — | 63837-1 |
| | | — | .016 0.41 | — | Brass | .010 0.25 | .327 8.31 | — | — | — | 61818-1 |
| 24-22 | A | 1 | .016 0.41 | .040-.060 1.02-1.52 | Brass, Pre-Tin | .010 0.25 | .635 16.13 | — | — | — | 42415-1 |
| | | 1 | .020 0.51 | .040-.060 1.02-1.52 | Brass, Pre-Tin | .010 0.25 | .635 16.13 | X ¹ | — | X | 42067-1 |
| | | 1 | .020 0.51 | .040-.060 1.02-1.52 | Brass, Pre-Tin | .010 0.25 | .510 12.95 | X | — | X | 60089-2 |
| | | 1 | .032 0.81 | .040-.060 1.02-1.52 | Brass, Pre-Tin | .010 0.25 | .635 16.13 | X ¹ | — | X | 63634-1 |
| 22-20 | A | 2 | .020 0.51 | .060-.100 1.52-2.54 | Brass, Pre-Tin | .010 0.25 | .635 16.13 | X | — | X | 42236-1 |
| | | 1 | .012 0.31 | .060-.100 1.52-2.54 | Brass, Pre-Tin | .010 0.25 | .635 16.13 | — | — | — | 60415-1 |
| | | 1 | .016 0.41 | .060-.100 1.52-2.54 | Brass, Pre-Tin | .010 0.25 | .635 16.13 | — | — | — | 60118-1 |
| | | 2 | .016 0.41 | .090-.130 1.52-2.54 | Brass, Pre-Tin | .010 0.25 | .635 16.13 | — | — | — | 62523-1 |
| 22-18 | A | 1 | .020 0.51 | .060-.100 1.52-2.54 | Brass | .010 0.25 | .635 16.13 | X | — | X | 42068 |
| | | 1 | .020 0.51 | .060-.100 1.52-2.54 | Brass, Pre-Tin | .010 0.25 | .635 16.13 | X | — | X | 42068-1 |
| | | 1 | .020 0.51 | .090-.130 1.52-2.54 | Brass, Pre-Tin | .010 0.25 | .635 16.13 | X | — | X | 62094-1 |
| | | 1 | .020 0.51 | .090-.130 1.52-2.54 | Brass | .010 0.25 | .635 16.13 | X | — | X | 62094-2 |
| | | 2 | .020 0.51 | .120-.140 3.05-3.56 | Brass, Pre-Tin | .010 0.25 | .635 16.13 | X | — | X | 60729-1 |
| | | 1 | .025 0.51 | .120-.140 3.05-3.56 | Brass, Pre-Tin | .010 0.25 | .635 16.13 | — | — | — | 61158-1 |
| | | 1 | .032 0.81 | .060-.100 1.52-2.54 | Brass, Pre-Tin | .010 0.25 | .635 16.13 | X | — | X | 60197-1 |
| | | 3 | .032 0.81 | .060-.100 1.52-2.54 | Brass, Pre-Tin | .010 0.25 | .635 16.13 | X | — | X | 60577-1 |
| | | 1 | .032 0.81 | .120-.140 3.05-3.56 | Brass, Pre-Tin | .010 0.25 | .635 16.13 | X | — | X | 63954-1 |

¹ UL listed 22 AWG wire only.

² No Dimple.

⁴ Side feed.

³ Dimple at special location.

⁵ Tab Thickness .020 [0.51].

⁶ Tab Thickness .032 [0.81].

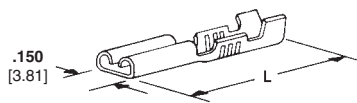
⁷ Stress relieved.

⁸ See page 28 for Mating Tab Designs.

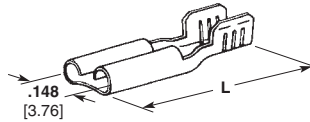
Note: All part numbers are RoHS compliant.

110 Series Receptacles (Continued)

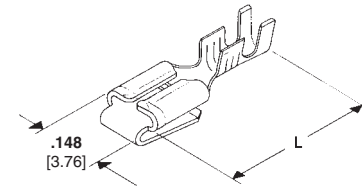
Straight Receptacles (Continued)



A — FASTON Receptacles with Insulation Support



B — FASTON Receptacles with No Insulation Support



C — Commercial Line Receptacle and Tab Combination

| Wire Range AWG | Style | Fits Tab Type ^a | Tab Fit | Insulation Diameter | Material and Finish | Stock Thickness | L (Overall Length) | UL | RA | SP | Terminal Part Number |
|-----------------|-------|----------------------------|--------------|------------------------|----------------------|-----------------|--------------------|----|----|----|------------------------|
| 22-18 | C | 1 | .018 0.46 | .080-.120 2.03-3.05 | Brass | .010 0.25 | .630 16.00 | — | — | — | 63242-1 ⁵ |
| | | 1 | .020 0.51 | .060-.100 1.52-2.54 | Brass | .010 0.25 | .630 16.00 | X | — | X | 62003-1 ⁵ |
| | | 1 | .020 0.51 | .060-.100 1.52-2.54 | Brass, Tin Plated | .010 0.25 | .630 16.00 | X | — | X | 62003-2 ⁵ |
| | | 1 | .032 0.81 | .080-.120 2.03-3.05 | Brass, Tin Plated | .010 0.25 | .630 16.00 | X | — | X | 63961-1 ⁵ |
| | | 1 | .032 0.81 | .080-.120 2.03-3.05 | Brass, Tin Plated | .010 0.25 | .630 16.00 | — | — | — | 1217145-1 ⁶ |
| 20-18 or (2) 20 | B | 1 | .016 0.41 | — | Brass, Pre-Tin | .010 0.25 | .475 12.07 | — | — | — | 42398-1 |
| | | 1 | .020 0.51 | — | Brass, Pre-Tin | .010 0.25 | .475 12.07 | X | — | X | 42399-1 |
| | | 1 | .032 0.81 | — | Brass, Pre-Tin | .010 0.25 | .475 12.07 | X | — | X | 60601-1 |
| 20-18 | B | — | .020 0.51 | — | Brass, Pre-Tin | .010 0.25 | .380 9.65 | X | — | X | 62850-1 ² |
| | | — | .020 0.51 | — | Brass, Tin Plated | .010 0.25 | .380 9.65 | X | — | X | 62850-2 ² |
| 20-16 | A | 1 | .010 0.25 | .060-.100 1.52-2.54 | Brass, Pre-Tin | .010 0.25 | .625 15.88 | — | — | — | 62968-1 |
| | | 1 | .020 0.51 | .060-.100 1.52-2.54 | Brass, Pre-Tin | .010 0.25 | .635 16.13 | X | — | X | 61408-1 |
| | | 1 | .020 0.51 | .060-.100 1.52-2.54 | Steel, Nickel Plated | .010 0.25 | .635 16.13 | — | X | X | 1217102-1 |
| | | 1 | .020 0.51 | .120-.140 3.05-3.56 | Brass, Pre-Tin | .010 0.25 | .635 16.13 | X | — | X | 61400-1 |
| | | 1 | .020 0.51 | .150-.170 3.81-4.32 | Brass, Tin Plated | .010 0.25 | .635 16.13 | X | — | X | 62191-1 |
| | | 1 | .032 0.81 | .120-.140 3.05-3.56 | Brass, Pre-Tin | .010 0.25 | .635 16.13 | X | — | X | 62050-1 |
| | | 1 | .032 0.81 | .120-.140 3.05-3.56 | Steel, Nickel Plated | .010 0.25 | .635 16.13 | — | X | X | 62050-2 |
| | | 2 | .032 0.81 | .120-.140 3.05-3.56 | Brass, Pre-Tin | .010 0.25 | .635 16.13 | X | — | X | 63703-1 |
| | | 1 | .016 0.41 | — | Brass, Pre-Tin | .010 0.25 | .537 13.64 | — | — | — | 61457-1 |
| | | 1 | .032 0.81 | — | Brass, Pre-Tin | .010 0.25 | .415 10.54 | X | — | X | 63560-1 |
| 18-14 | A | — | .032 0.81 | .110-.190 2.79-4.83 | Brass, Tin Plated | .012 0.30 | .625 15.88 | — | — | — | 63093-1 ^{2,7} |
| | | — | .020 0.51 | — | Brass, Tin Plated | .010 0.25 | .475 12.07 | X | — | X | 62474-1 ^{3,4} |
| | | 1 | .020 0.51 | — | Brass, Pre-Tin | .010 0.25 | .475 12.07 | X | — | X | 62852-1 ⁴ |

¹ UL listed 22 AWG wire only.
² No Dimple.

³ Side feed.
⁴ Dimple at special location.

⁵ Tab Thickness .020 [0.51].
⁶ Tab Thickness .032 [0.81].

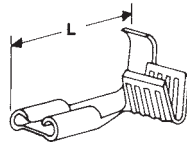
⁷ Stress relieved.
⁸ See page 28 for Mating Tab Designs.

Note: All part numbers are RoHS compliant.

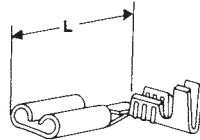
110 Series F-Crimp Flags

Flag Receptacles

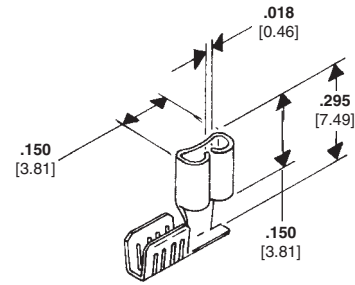
FASTON Receptacles



A — FASTON Flag Receptacle with Insulation Support



B — FASTON Flag Receptacle with Insulation Support



C — FASTON Flag Receptacle with No Insulation Support

| Wire Range AWG | Style | Fits Tab Type ² | Tab Fit | Insulation Diameter | Material and Finish | Stock Thickness | L (Overall Length) | UL | RU | SR | Terminal Part Number |
|----------------|-------|----------------------------|--------------|------------------------|----------------------|-----------------|--------------------|----------------|----|----------------|----------------------|
| 26-22 | B | * | .020 0.51 | .040-.080 1.02-2.03 | Brass, Pre-Tin | .010 0.25 | .430 10.92 | X ³ | — | X ³ | 1742219-1 |
| | | * | .016 0.41 | .065-.100 1.65-2.54 | Brass, Pre-Tin | .010 0.25 | .460 11.68 | — | — | — | 61459-1 |
| | | * | .020 0.51 | .065-.100 1.65-2.54 | Brass, Pre-Tin | .010 0.25 | .460 11.68 | X | — | X | 61372-1 |
| | A | * | .020 0.51 | .065-.100 1.65-2.54 | Brass, Tin Plated | .012 0.30 | .460 11.68 | X | — | X | 60605-1 |
| | | * | .025 0.64 | .065-.100 1.65-2.54 | Brass, Pre-Tin | .010 0.25 | .460 11.68 | — | — | — | 61530-1 |
| | | * | .032 0.81 | .065-.100 1.65-2.54 | Brass, Pre-Tin | .010 0.25 | .460 11.68 | X | — | X | 61971-1 |
| 22-18 | B | * | .020 0.51 | .060-.100 1.52-2.54 | Brass, Pre-Tin | .010 0.25 | .430 10.92 | X | — | X | 61481-1 |
| | | * | .020 0.51 | .060-.100 1.52-2.54 | Brass, Tin Plated | .012 0.30 | .430 10.92 | X | — | X | 61070-1 |
| | | * | .020 0.51 | .060-.100 1.52-2.54 | Brass | .012 0.30 | .430 10.92 | X | — | X | 61070-2 |
| | C | * | .025 0.64 | .060-.100 1.52-2.54 | Brass, Pre-Tin | .010 0.25 | .430 10.92 | — | — | — | 1217138-1 |
| | | * | .032 0.81 | .060-.100 1.52-2.54 | Brass, Pre-Tin | .010 0.25 | .430 10.92 | X | — | X | 62336-1 |
| | | * | .032 0.81 | .060-.100 1.52-2.54 | Steel, Nickel Plated | .010 0.25 | .430 10.92 | — | — | — | 62336-2 |
| 22-16 | C | — | .015 0.38 | — | Brass, Pre-Tin | .010 0.25 | .295 7.49 | — | — | — | 63990-1 |
| | | — | .020 0.51 | — | Brass | .012 0.30 | .295 7.49 | X ¹ | — | X | 60991-1 |
| | | — | .020 0.51 | — | Brass, Pre-Tin | .010 0.25 | .295 7.49 | X ¹ | — | X | 61549-1 |
| | | 1 | .020 0.51 | — | Brass, Pre-Tin | .010 0.25 | .295 7.49 | X ¹ | — | X | 62321-1 |

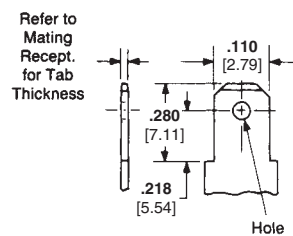
* No Tab Type

¹ UL listed and CSA certified for 22-18 AWG.

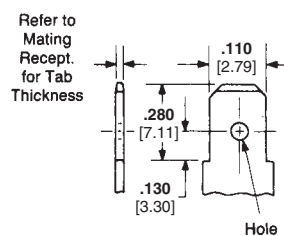
² See below for Mating Tab Designs.

³ UL listed and CSA certified for 22 AWG wire only.

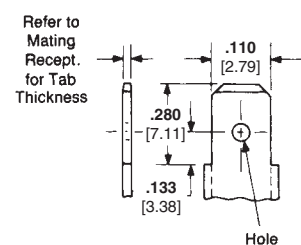
Mating 110 Series Tab Designs



Mating 110 Series Tab Dimension Type 1



Mating 110 Series Tab Dimensions Type 2



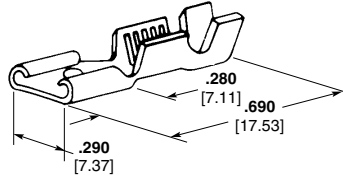
Mating 110 Series Tab Dimensions Type 3

Note: All part numbers are RoHS compliant.

AMPLIVAR Receptacles

250 Series FASTON Receptacles

Stock Thickness — .016 [0.41]



| Magnet Wire Range | | Insulation Diameter | Mating Tab Thk. | Material | Material Thickness | Part Number |
|---------------------------------|---|--|-----------------|---------------------------|--------------------|--|
| AWG | mm ² | | | | | |
| 24-19 | 0.23-0.70 | .050-.080 1.30-2.00 | .020 0.51 | Brass Tin Plated Brass | .016 0.41 | 63623-1 ¹ 63623-2 ¹ |
| 23-19 or (2) 24 or (2) 26 | 0.29-0.70 or (2) 0.23 or (2) 0.15 | .050-.100 1.30-2.55 | .025 0.64 | Brass | .016 0.41 | 62069-1 ³ |
| 20-16 or (2) 23 or (2) 20 | 0.57-1.39 or (2) 0.29 or (2) 0.57 | .100-.140 2.55-3.55 or .060 (2) 1.52 Max. | .032 [0.81] | Brass Tin Plated Brass | .016 0.41 | 60384-1 60384-2 |
| 20-16 | 0.57-1.39 | .100-.140 2.55-3.55 | .020 0.51 | Brass | .016 0.41 | 62080-1 |
| 18-14 or (2) 17 | 0.88-2.19 or (2) 1.11 | .120-.170 3.05-4.30 or .060 (2) 1.52 Max. | .032 [0.81] | Tin Plated Brass | .016 0.41 | 60385-2 |
| 18-14 or (2) 19 | 0.88-2.19 or (2) 0.70 | .120-.170 3.05-4.30 | .020 0.51 | Brass | .016 0.41 | 63622-1 ¹ |
| 18-14 or (2) 19 | 0.88-2.19 or (2) 0.70 | .120-.170 3.05-4.30 | .032 0.81 | Brass | .016 0.41 | 1217835-1 |

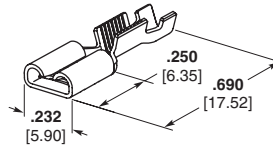
¹ Low insertion force

² Quick-Change Applicator for AMP-O-LECTRIC Machine 565435-5.

³ Mates to .025 [0.64] thick tab.

187 Series FASTON Receptacle

Stock Thickness — .016 [0.41]



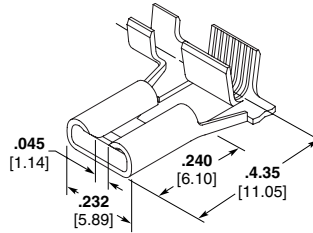
| Magnet Wire Range | | Insulation Diameter | Mating Tab Thk. | Material | Material Thickness | Part Number |
|-------------------|-----------------|------------------------|-----------------|-------------------------------|--------------------|-------------|
| AWG | mm ² | | | | | |
| 20-16 | 0.57-1.39 | .050-.090 1.27-2.29 | .032 0.81 | Tin Plated Phosphor Bronze | .016 0.41 | 1742678-2 |

Note: All part numbers are RoHS compliant.

AMPLIVAR Receptacles (Continued)

187 Series FASTON Flag Receptacles

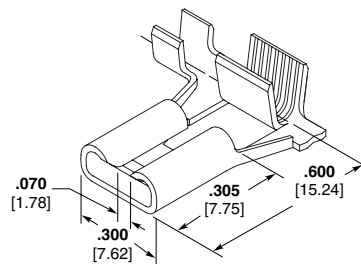
Stock Thickness — .016 [0.41]



| Magnet Wire Range | | Insulation Diameter | Mating Tab Thk. | Material | Material Thickness | Part Number |
|-------------------|-----------------|------------------------|-----------------|----------------------------|--------------------|-------------|
| CMA | mm ² | | | | | |
| 500-1200 | 0.25-0.61 | .020-.040 0.51-1.02 | .020 0.51 | Tin Plated Brass | .016 0.41 | 63942-1 |
| 24-20 AWG | 0.2-0.5 | .020-.040 0.51-1.02 | .032 0.81 | Tin Plated Brass | .016 0.41 | 1217624-1 |
| 20-16 AWG | 0.57-1.39 | .050-.090 1.27-2.29 | .032 0.81 | Tin Plated Phosphor Bronze | .016 0.41 | 1742679-2 |
| 1200-2350 | 0.61-1.19 | .020-.040 0.51-1.02 | .020 0.51 | Tin Plated Brass | .016 0.41 | 63941-1 |
| 2000-4000 | 1.01-2.03 | .020-.040 0.51-1.02 | .032 0.81 | Tin Plated Brass | .016 0.41 | 1217955-1 |
| 2000-4050 | 1.01-2.05 | .020-.040 0.51-1.02 | .020 0.51 | Tin Plated Brass | .016 0.41 | 63940-1 |
| 2000-4050 | 1.01-2.05 | .020-.040 0.51-1.02 | .032 0.81 | Tin Plated Brass | .016 0.41 | 1217417-1 |
| 3000-6000 | 1.52-3.04 | .020-.040 0.51-1.02 | .020 0.51 | Tin Plated Brass | .016 0.41 | 1217899-1 |

250 Series FASTON Flag Receptacles

Stock Thickness — .018 [0.45]



| Magnet Wire Range | | Insulation Diameter | Mating Tab Thk. | Material | Material Thickness | Part Number |
|-------------------|-----------------|------------------------|-----------------|------------------------|--------------------|-------------|
| CMA | mm ² | | | | | |
| 16-12 | 1.39-3.47 | .120-.170 3.05-4.32 | .032 0.81 | Tin Plated Phos Bronze | .018 0.45 | 63944-1 |

Note: All part numbers are RoHS compliant.

Miscellaneous Tab Receptacles

Tab Receptacles



| Wire Range | | Type | Insul. Dia. Range | Stock Thk. | Material and Finish | Fits Tab | Dimensions | | | Part No. |
|------------|-----------------|------|------------------------|--------------|---------------------|----------------------------|--------------|---------------|--------------|--|
| AWG | mm ² | | | | | | E | L | W | |
| 26-22 | 0.12-0.4 | A | .035-.065 0.89-1.65 | .010 .025 | Pre-Tin Brass | .031 x .093 0.79 x 2.36 | .190 4.83 | .475 12.06 | .120 3.05 | 61813-1 ⁵ |
| 24-20 | 0.2-0.6 | A | .040-.080 1.02-2.03 | .010 0.25 | Tin Plated Brass | .031 x .062 0.79 x 1.57 | .187 4.75 | .462 11.73 | .090 2.29 | 60900-1 ¹ 60900-4 ² |
| | | B | — | .010 0.25 | Tin Plated Brass | .015 x .050 0.38 x 1.27 | .145 3.68 | .310 7.87 | .070 1.78 | 62352-1 |
| 22-18 | 0.3-0.9 | A | .050-.085 1.27-2.16 | .010 0.25 | Pre-Tin Brass | .010 x .093 0.25 x 2.36 | .190 4.83 | .480 12.19 | .120 3.05 | 63391-1 ^{3,4} 63391-2 ⁴ |
| 20-18 | 0.5-0.9 | A | .080-.120 2.03-3.05 | .010 0.25 | Pre-Tin Brass | .032 x .103 0.81 x 2.62 | .200 5.08 | .480 12.19 | .126 3.2 | 60252-1 ⁶ |
| | | | | | Pre-Tin Brass | .020 x .103 0.51 x 2.62 | .200 5.08 | .480 12.19 | .126 3.2 | 60432-1 ⁶ |

¹ Available in loose piece form, order Part Number 61454-1.

² Reverse reel of 60900-1.

³ Loose piece form of Part Number 63391-2.

⁴ Mechanically compliant base.

⁵ No dimple.

⁶ Dimple.

Note: All part numbers are RoHS compliant.

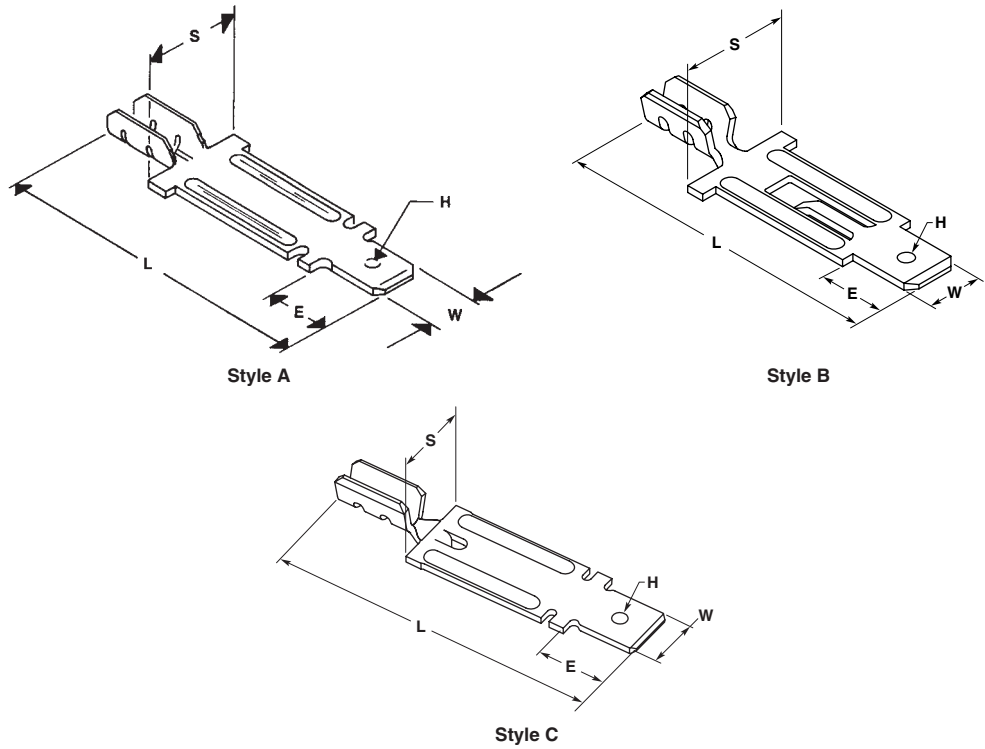
FASTON Tabs

312 and 250 Series (High Temperature 700° F / 371° C Max.)

TE offers a variety of FASTON tabs in an assortment of configurations. The product line includes various weld type tabs, stud mounted tabs and wire crimp tabs. Also included in the product offering are high temperature tabs and test tabs.

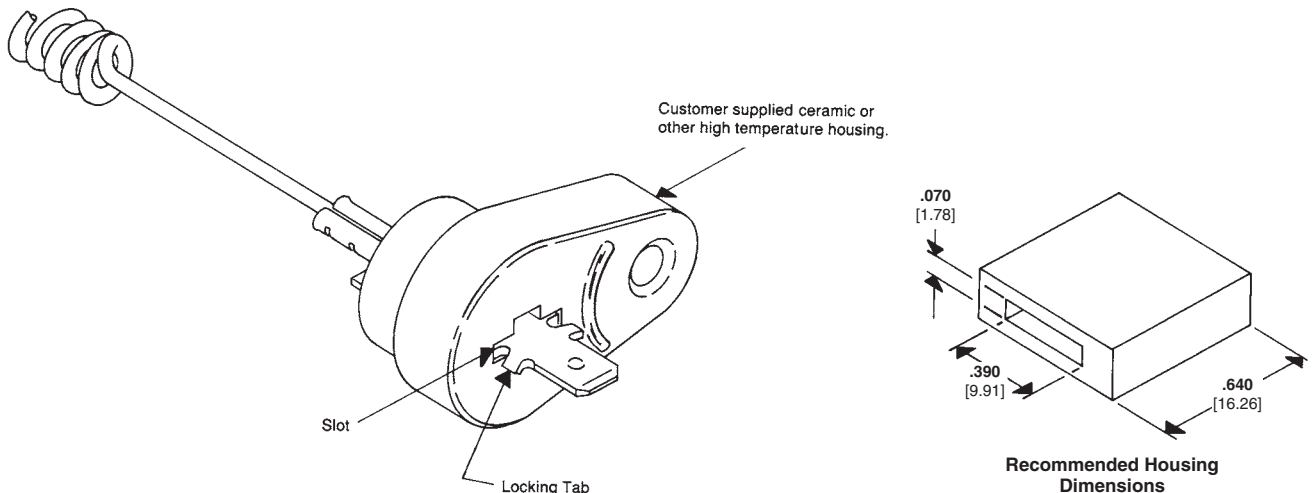
The TE high-temperature tab is designed to crimp to heating element wire. The tab end protrudes through a ceramic/high-temperature housing for mating with either a standard 250 or 312 FASTON receptacle.

Stock Thickness — .032 [0.81]



| Series | Solid Wire Range AWG | Style | Tab Thickness | Dimensions | | | | | Material and Finish | Terminal Part No. ¹ |
|--------|----------------------|-------|---------------|----------------|--------------|--------------|---------------|---------------------|---------------------|--------------------------------|
| | | | | L | W | E | S | H | | |
| 312 | 22-15 | A | .032 0.81 | 1.570 39.88 | .312 7.92 | .387 9.83 | .500 12.70 | Hole | Nickel Plated Steel | 63300-1 |
| | | C | .032 0.81 | 1.570 39.88 | .312 7.92 | .375 9.53 | Hole | Nickel Plated Steel | 63390-1 | |
| 250 | 22-15 | A | .032 0.81 | 1.500 38.10 | .250 6.35 | .312 7.92 | .500 12.70 | Dimple | Nickel Plated Steel | 63301-1 |
| | | A | .032 0.81 | 1.500 38.10 | .250 6.35 | .312 7.92 | .500 12.70 | Hole | Nickel Plated Steel | 63522-1 |
| 250 | 20-15 | B | .032 0.81 | 1.500 38.10 | .250 6.35 | .312 7.92 | .500 12.70 | Dimple | Nickel Plated Steel | 63104-1 |
| | | C | .032 0.81 | 1.500 38.10 | .250 6.35 | .312 7.92 | .370 9.40 | Dimple | Nickel Plated Steel | 1217006-1 |

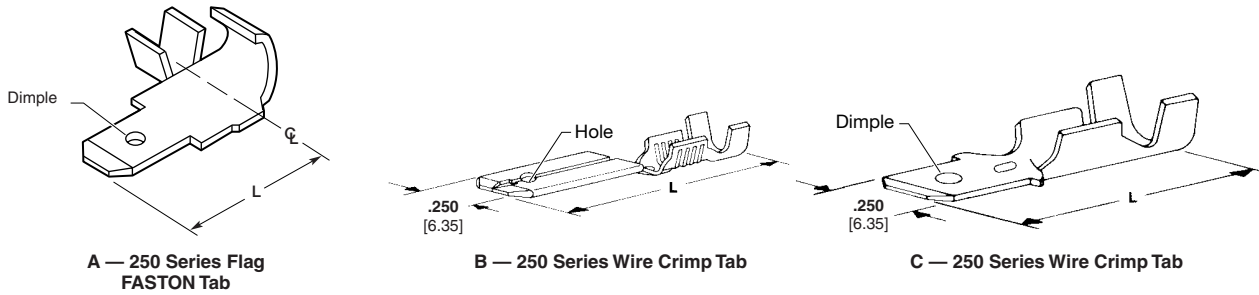
¹ Contact technical support for tooling application.



Note: All part numbers are RoHS compliant.

FASTON Tabs (Continued)

250 Series Wire Crimp Tabs

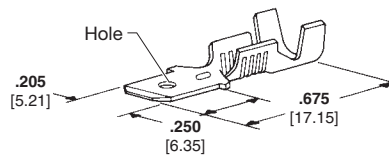


| Wire Range AWG | Style | Tab Thickness | Insulation Diameter | Material and Finish | Stock Thickness | L (Overall Length) | UL | RU | SF | Terminal Part No. |
|----------------|-------|---------------|------------------------|------------------------|-------------------|--------------------|---------------|----|----|-------------------|
| 22-18 | B | .032 0.81 | .080-.120 2.03-3.05 | Brass | .015 0.38 | .815 20.70 | — | X | X | 42475-3 |
| | | .032 0.81 | .080-.120 2.03-3.05 | Brass, Tin Plated | .015 0.38 | .815 20.70 | — | X | X | 42475-4 |
| 18-14 | A | .032 0.81 | .080-.125 2.03-3.18 | Brass, Tin Plated | .032 0.81 | .500 12.70 | X | — | X | 42770-2 |
| | B | .032 0.81 | .110-.150 2.79-3.81 | Brass | .015 0.38 | .810 20.57 | — | X | X | 42474-3 |
| | | .032 0.81 | .110-.150 2.79-3.81 | Brass, Tin Plated | .015 0.38 | .810 20.57 | — | X | X | 42474-4 |
| | C | .032 0.81 | .120-.170 3.05-4.32 | Brass | .032 0.81 | .775 19.69 | X | — | X | 41411 |
| | | .032 0.81 | .120-.170 3.05-4.32 | Brass, Tin Plated | .032 0.81 | .775 19.69 | X | — | X | 41412 |
| | 14-12 | B | .032 0.81 | .110-.170 2.79-4.32 | Brass, Tin Plated | .015 0.38 | .810 20.57 | — | X | X |
| .032 0.81 | | | .110-.170 2.79-4.32 | Brass, Silver Plated | .015 0.38 | .810 20.57 | — | X | X | 61362-2 |

¹ Hole.

205 Series Wire Crimp Tabs

Stock Thickness — .020 [0.51]



A — 205 Series Wire Crimp Tab

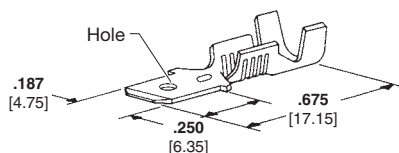
| Wire Range AWG | Style | Tab Thickness | Insulation Diameter | Material and Finish | UL | RU | SF | Terminal Part No. |
|----------------|-------|---------------|------------------------|---------------------|----|----|----|----------------------|
| 18-14 | A | .020 0.51 | .120-.150 3.05-3.81 | Brass, Tin Plated | X | — | X | 62531-1 |
| | | .020 0.51 | .120-.150 3.05-3.81 | Brass, Tin Plated | X | — | X | 63223-1 ¹ |

¹ No hole.

Note: All part numbers are RoHS compliant.

FASTON Tabs (Continued)

187 Series Wire Crimp Tabs

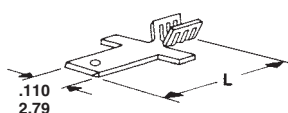


A — 187 Series Wire Crimp Tab

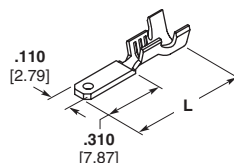
| Wire Range AWG | Style | Tab Thickness | Insulation Diameter | Material and Finish | Stock Thickness | UL | RU | SR | Terminal Part No. |
|-------------------|-------|------------------|------------------------|------------------------|--------------------|----|----|----|----------------------|
| 22-18 | A | .020 0.51 | .080-.120 2.03-3.05 | Brass, Tin Plated | .020 0.51 | X | — | X | 42490-3 |
| | | .020 0.51 | .080-.120 2.03-3.05 | Brass | .020 0.51 | X | — | X | 42490-4 |
| 18-14 | A | .020 0.51 | .120-.150 3.05-3.81 | Brass | .020 0.51 | X | — | X | 60850-1 |
| | | .020 0.51 | .120-.150 3.05-3.81 | Brass, Tin Plated | .020 0.51 | X | — | X | 60850-2 |
| | | .032 0.81 | .120-.150 3.05-3.81 | Brass, Tin Plated | .032 0.81 | X | — | X | 61687-2 ¹ |

¹ Premilled dual stock thickness, tab .032 [0.81], body .020 [0.51].

110 Series Wire Crimp Tabs



A — 110 Series Wire Crimp Tab



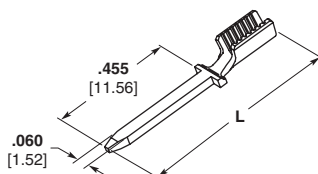
B — 110 Series Wire Crimp Tab with Insulation Support

| Wire Range AWG | Style | Tab Thickness | Insulation Diameter | Material and Finish | Stock Thickness | L (Overall Length) | UL | RU | SR | Terminal Part No. |
|-------------------|-------|------------------|------------------------|----------------------------------|--------------------|-----------------------|----|----|----|------------------------|
| 26-22 | A | .020 0.51 | — | Brass, Tin Plated | .020 0.51 | .490 12.45 | X | — | X | 62887-1 |
| | | .020 0.51 | — | Brass, Tin Plated over Copper | .020 0.51 | .490 12.45 | X | — | X | 62887-2 |
| 22-18 | B | .032 0.81 | — | Brass, Tin Plated | .020 0.51 | .490 12.45 | X | — | X | 63932-1 ² |
| | | .020 0.51 | — | Brass, Pre-Tin Plated | .020 0.51 | .485 12.32 | X | — | X | 62122-1 |
| | A | .020 0.51 | — | Brass, Pre-Tin Plated | .020 0.51 | .570 14.48 | X | — | X | 62384-1 |
| | | .032 0.81 | .070-.130 1.78-3.30 | Brass, Tin Plated | .032 0.81 | .625 15.88 | X | — | X | 63138-1 |
| 20-16 | A | .020 0.51 | — | Brass, Pre-Tin Plated | .020 0.51 | .570 14.48 | — | — | — | 1217118-1 ¹ |

¹ .052 [1.32] dia. hole.
² No insulation support.

.060 Series Wire Crimp Tabs

Stock Thickness — .032 [0.81]



A - .060 Series Wire Crimp Tab

| Wire Range AWG | Style | Tab Thickness | Insulation Diameter | Material and Finish | L (Overall Length) | UL | RU | SR | Terminal Part No. |
|-------------------|-------|------------------|------------------------|------------------------|-----------------------|----|----|----|----------------------|
| 23-19 | A | .032 0.81 | — | Brass, Tin Plated | .740 18.80 | X | — | X | 63497-1 ¹ |
| 22-16 | A | .032 0.81 | — | Brass, Tin Plated | .740 18.80 | X | — | X | 63893-1 |

¹ AMPLIVAR connector type serrations for magnet wire.

Note: All part numbers are RoHS compliant.

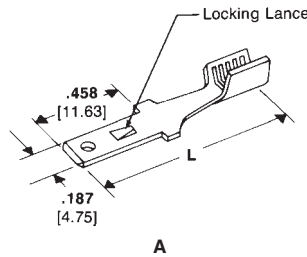
FASTON Tabs (Continued)

AMPLIVAR Tabs
(For Use with Magnet Wire)

187 Series FASTON Tabs

Board Thickness —
A = .062-.072 [1.57-1.83]

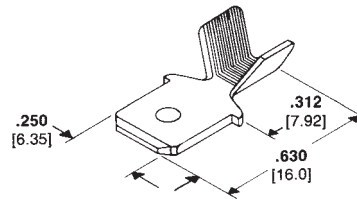
Stock Thickness —
A = .020 [0.51]
B = .032 [0.81]



| Style | Wire Range | | Material | Dim. L | UL | SP | Part Number |
|-------|------------|-----------------|------------------|----------------|----|----|-------------|
| | AWG | mm ² | | | | | |
| A | 22-16 | 0.3-1.4 | Tin Plated Brass | 1.015 25.78 | — | — | 62447-1 |
| | 15-12 | 1.6-3.0 | Tin Plated Brass | 1.015 25.78 | — | — | 62445-1 |

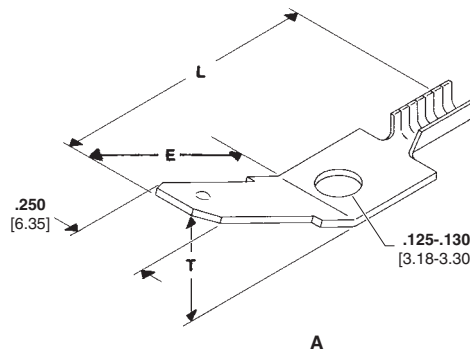
250 Series FASTON Tabs

Stock Thickness — .032 [0.81]



| Style | Wire Range | | Material | UL | SP | Part Number |
|-------|------------|------------------|----------|----|----------------------|-------------|
| | AWG | mm ² | | | | |
| 18-14 | 1.0-1.7 | Tin Plated Brass | — | — | 63349-1 ¹ | |
| 16-12 | 1.3-3.0 | Tin Plated Brass | — | — | 62922-1 ¹ | |

¹ Varnish resistant coating.



| Style | Wire Range | | | Material | Dimensions | | | UL | SP | Part Number |
|-------|------------|---------|-----------------|------------------|---------------|--------------|-----|----|----|-------------|
| | CMA | AWG | mm ² | | L | E | T | | | |
| A | 200-566 | 27.5-23 | — | Tin Plated Brass | .580 14.73 | .342 8.69 | 45° | — | — | 63136-1 |

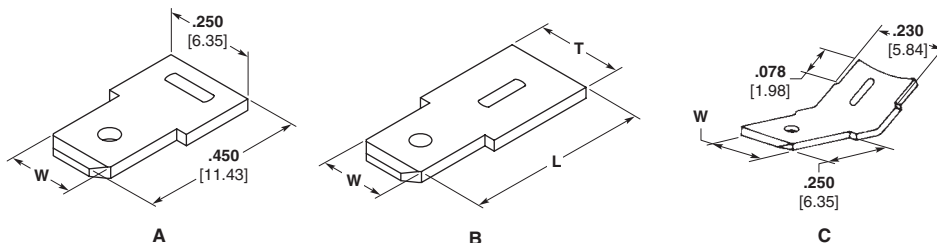
Note: All part numbers are RoHS compliant.

FASTON Tabs (Continued)

250, 205 and 187 Series FASTON Tabs

(Mates with all 250, 205 and 187 Series FASTON Receptacles)

250 and 187 Series Weld Type Tabs

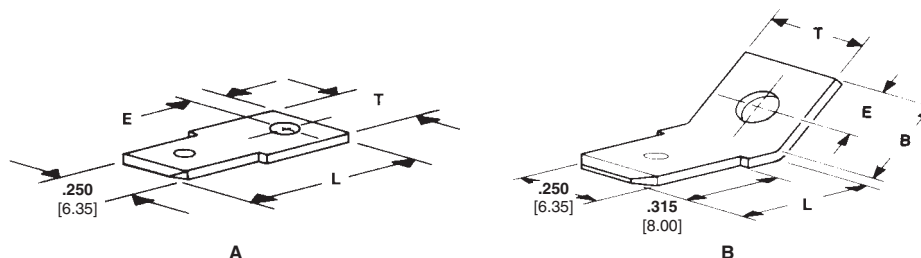


| Style | Dimensions | | | Stock Thickness | Material and Finish | Terminal Part No. | UL | SP |
|-------|--------------|---------------|--------------|-----------------|---------------------|----------------------|----|----|
| | W | L | T | | | | | |
| A | .250 6.35 | .635 16.13 | .295 7.49 | .032 0.81 | Nickel Plated Steel | 42559-1 ¹ | X | X |
| | .187 4.75 | .450 11.43 | .250 6.35 | .032 0.81 | Nickel Plated Steel | 63771-1 | — | — |
| B | .250 6.35 | .825 20.96 | .375 9.53 | .032 0.81 | Nickel Plated Steel | 1217002-1 | — | — |
| C | .187 4.75 | .250 6.35 | .230 5.84 | .020 0.51 | Nickel Plated Steel | 61960-1 | X | X |

¹ No weld rib.

250 Series Stud Mount Type Tabs

Stock Thickness — .032 [0.81]
Dimple (Both Sides)



| Style | Stud Diameter | Dimensions | | | | Material and Finish | Terminal Part No. | UL | SP |
|-------|---------------|--------------|---------------|--------------|--------------|---------------------|-------------------|----|----|
| | | B | L | E | T | | | | |
| A | .177 4.50 | — | .715 18.16 | .170 4.32 | .295 7.49 | Brass | 63038-2 | X | — |
| | | | .715 18.16 | .170 4.32 | .295 7.49 | Tin Plated Brass | 63038-1 | X | X |
| | .171 4.34 | — | .940 23.88 | .125 3.18 | .280 7.11 | Brass | 1217558-1 | — | — |
| | | | .940 23.88 | .125 3.18 | .280 7.11 | Tin Plated Brass | 1217558-2 | — | — |
| B | .130 3.30 | .300 7.62 | .400 10.16 | .170 4.32 | .295 7.49 | Tin Plated Brass | 42822-2 | X | X |
| | .145 3.68 | .300 7.62 | .400 10.16 | .170 4.32 | .295 7.49 | Tin Plated Brass | 42822-4 | X | X |
| | .171 4.34 | .330 8.38 | .375 9.53 | .170 4.32 | .295 7.49 | Brass | 60465-1 | X | X |
| | | | | | | Tin Plated Brass | 60465-2 | X | X |
| | .203 5.16 | .330 8.38 | .375 9.53 | .170 4.32 | .295 7.49 | Tin Plated Brass | 61365-1 | X | X |
| | .197 5.00 | .330 8.38 | .375 9.53 | .170 4.32 | .295 7.49 | Tin Plated Brass | 61499-1 | X | X |

Note: All part numbers are RoHS compliant.

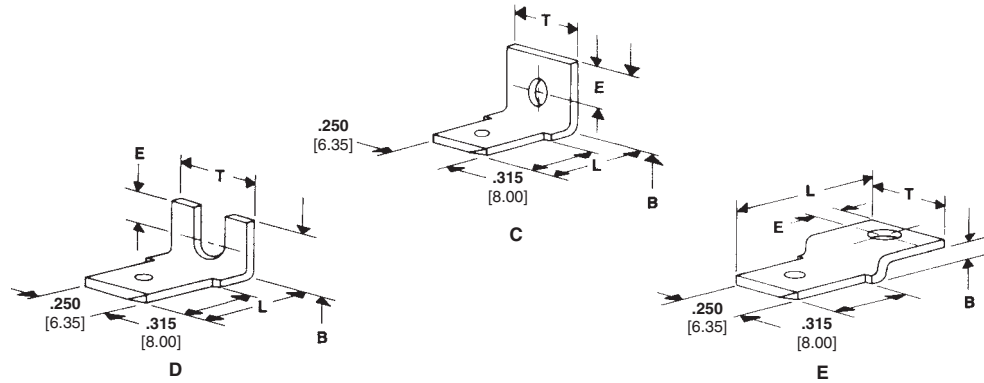
FASTON Tabs (Continued)

**250 Series
Stud Mount Type Tabs**

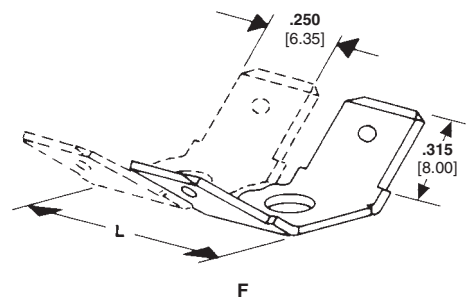
(Continued)

Stock Thickness — .032 [0.81]

Dimple (Both Sides)



| Style | Stud Diameter | Dimensions | | | | Material and Finish | Terminal Part No. | UL | SP |
|-------|---------------|--------------|---------------|---------------|--------------|---------------------|-------------------|---------|----|
| | | B | L | E | T | | | | |
| C | .097 2.46 | .250 6.35 | .440 11.18 | .093 2.36 | .295 7.49 | Brass | 41339 | X | X |
| | .130 3.30 | .330 8.38 | .440 11.18 | .170 4.32 | .295 7.49 | Tin Plated Brass | 42095-1 | X | X |
| | | .270 6.86 | .440 11.18 | .110 2.79 | .295 7.49 | Tin Plated Brass | 42117-2 | X | X |
| | .171 4.34 | .330 8.38 | .440 11.18 | .170 4.32 | .295 7.49 | Brass | 42214-1 | X | X |
| | | .313 7.95 | .656 16.67 | .125 3.18 | .250 6.35 | Tin Plated Brass | 42214-2 | X | X |
| | | | .472 11.99 | .394 10.00 | — | .295 7.49 | Tin Brass | 63971-1 | — |
| D | .125 3.18 | .235 5.97 | .440 11.18 | .125 3.18 | .295 7.49 | Brass | 41398 | X | X |
| | .171 4.34 | .330 8.38 | .440 11.18 | .120 3.05 | .205 5.20 | Brass | 62166-1 | X | X |
| E | .130 3.30 | .068 1.73 | .615 15.62 | .093 2.36 | .295 7.49 | Tin Plated Brass | 42506-2 | X | X |



| Style | Pairs | Stud Diameter | Dim. L | Material and Finish | Terminal Part No. | UL | SP |
|-------|-------|---------------|----------------|---------------------|-------------------|----|----|
| F | 2 | .130 3.30 | .690 17.53 | Tin Plated Brass | 41478 | X | X |
| | | .171 4.34 | .690 17.53 | Brass | 41617 | X | X |
| | 4 | .130 3.30 | 1.455 36.96 | Tin Plated Brass | 41484 | X | X |

Note: All part numbers are RoHS compliant.

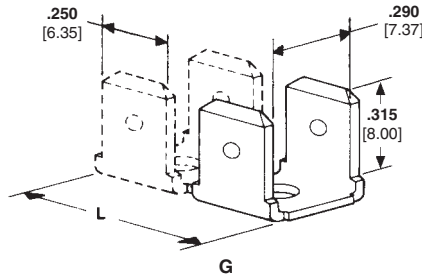
FASTON Tabs (Continued)

250 Series Stud Mount Type Tabs

(Continued)

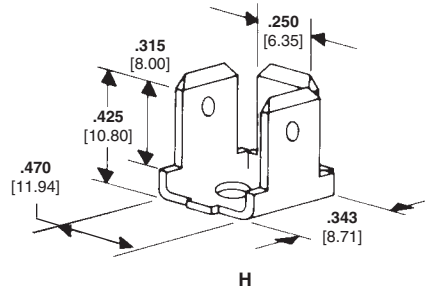
Stock Thickness — .032 [0.81]

Dimple (Both Sides)



| Style | Pairs | Stud Diameter | Dim. L | Material and Finish | Terminal Part No. | | |
|-------|-------|---------------|----------------|---------------------|----------------------|-------|---|
| G | 1 | .130 3.30 | .315 8.00 | Brass | 41290 | X | X |
| | 2 | .130 3.30 | .690 17.53 | Brass | 41291 | X | X |
| | 3 | .130 3.30 | 1.065 27.05 | Brass | 41292 | X | X |
| | 4 | .130 3.30 | 1.440 36.58 | Brass | 41370 | X | X |
| | 1 | .130 3.30 | .315 8.00 | Tin Plated Brass | 41480 | X | X |
| | 2 | .130 3.30 | .690 17.53 | Tin Plated Brass | 41481 | X | X |
| | 3 | .130 3.30 | 1.065 27.05 | Tin Plated Brass | 41482 | X | X |
| | — | .130 3.30 | — | Tin Plated Brass | 42115-4 ¹ | X | X |
| | | | | Brass | 42115-6 ¹ | X | X |
| | 1 | | .171 4.34 | .315 8.00 | Brass | 41619 | X |
| | | .097 2.46 | .315 8.00 | Tin Plated Brass | 42802-1 | X | X |
| | | | | Tin Plated Brass | 60080-2 | X | X |

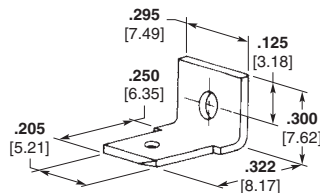
¹ In continuous strip-form.



| Style | Stud Diameter | Material and Finish | Terminal Part No. | | |
|-------|---------------|---------------------|-------------------|---|---|
| H | .130 3.30 | Brass | 62261-1 | X | X |

205 Series Stud Mount Type Tabs

Tab Thickness — .032 [0.81]

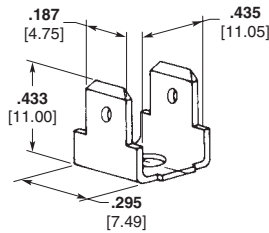


| Stud Diameter | Material and Finish | Terminal Part No. | | |
|---------------|---------------------|-------------------|---|---|
| .145 3.68 | Brass | 62168-1 | X | X |
| .130 3.30 | Brass | 61836-1 | X | X |

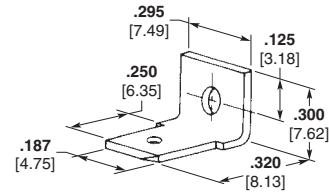
Note: All part numbers are RoHS compliant.

FASTON Tabs (Continued)

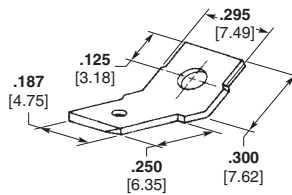
**187 Series
Stud Mount Type Tabs —
Hole in Tab**



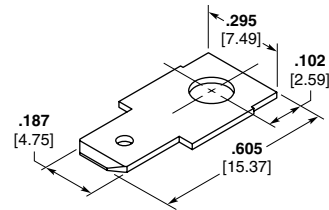
A



B



C



D

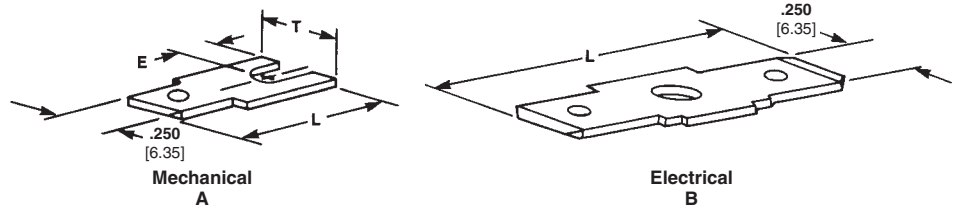
| Style | Stud Diameter | Stock Thickness | Material and Finish | Terminal Part No. | UL | CS® |
|-------|---------------|-----------------|---------------------|----------------------|----|-----|
| A | .130 3.30 | .020 0.51 | Tin Plated Brass | 61951-1 | X | X |
| | .197 5.00 | .020 0.51 | Tin Plated Brass | 61914-1 | X | X |
| B | .145 3.68 | .020 0.51 | Tin Plated Brass | 61407-3 | X | X |
| C | .130 3.30 | .020 0.51 | Tin Plated Brass | 61761-2 ² | X | X |
| | .145 3.68 | .020 0.51 | Brass | 62576-1 ² | X | X |
| | .171 4.34 | .020 0.51 | Tin Plated Brass | 61664-1 ² | X | X |
| D | .130 3.30 | .020 0.51 | Tin Plated Brass | 63946-1 | — | — |
| | .145 3.68 | .020 0.51 | Tin Plated Brass | 1742041-1 | — | — |

¹ Weld tab.
² Bent 45°.

Note: All part numbers are RoHS compliant.

FASTON Tabs (Continued)

250 Series Test Tabs
(Mate with all "250" Series FASTON Receptacles)



The mechanical tab is mounted onto TE gauge 100505 for testing of receptacle insertion/extraction requirements. Double-ended test tabs are also available for electrical and temperature rise testing. TE has readily available a variety of UL 310 constructed tabs for mechanical testing of FASTON, Ultra-Fast FASTON and Positive Lock receptacles. These tabs are designed for electrical test setups as outlined in UL 310 (See instruction sheet 408-7432 for recommended procedure mechanical test).

| Style | Stud Diameter | Stock Thickness | Dimensions | | | Material and Finish | UL | CS | Terminal Part No. |
|-------|---------------|-----------------|----------------|--------------|--------------|---------------------|----|----|------------------------|
| | | | L | E | T | | | | |
| A | .125 3.18 | .032 0.81 | .625 15.88 | .125 3.18 | .295 7.49 | Brass | X | X | 60447-1 ^{1,3} |
| | | .020 0.51 | .635 16.13 | .125 3.18 | .295 7.49 | Brass | — | — | 63633-1 ² |
| | | .032 0.81 | .625 15.88 | .125 3.18 | .295 7.49 | Brass | — | — | 63274-1 ² |
| B | .145 3.68 | .032 0.81 | 1.010 25.65 | — | — | Tin Plated Steel | — | — | 62627-1 ³ |
| | | | | | | Brass | — | — | 62627-2 ³ |
| | | | | | | Brass | — | — | 62627-3 ² |

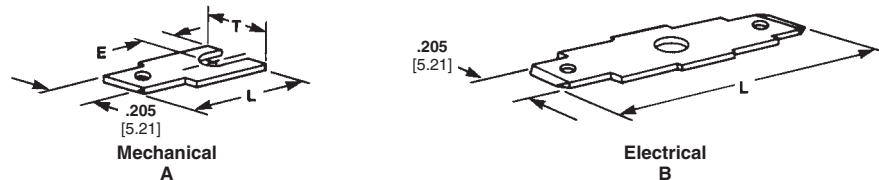
¹ Mechanical test tab for use with TE gauge number 100505.

² Test tab with hole for Positive Lock.

³ Dimple.

FASTON Tabs

205 Series Test Tabs



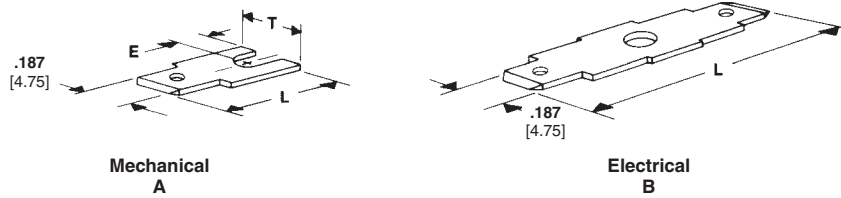
| Style | Hole Diameter | Stock Thickness | Dimensions | | | Material and Finish | UL | CS | Terminal Part No. | |
|-------|---------------|-----------------|------------|----------------|--------------|---------------------|------------------|----|-------------------|----------------------|
| | | | B | L | E | | | | | T |
| A | .125 3.18 | .020 0.51 | — | .605 15.37 | .090 2.29 | .295 7.49 | Brass | X | X | 60613-1 ¹ |
| | | .032 0.81 | — | .605 15.37 | .090 2.29 | .295 7.49 | Brass | X | X | 60613-2 ¹ |
| B | .145 3.68 | .020 0.51 | — | 1.276 32.41 | — | — | Tin Plated Steel | — | — | 60921-4 |
| | | .032 0.81 | — | 1.276 32.41 | — | — | Brass | — | — | 60922-1 |
| | | .020 0.51 | — | 1.276 32.41 | — | — | Brass | — | — | 60921-1 |
| | | .032 0.81 | — | 1.276 32.41 | — | — | Tin Plated Steel | — | — | 60922-5 |

¹ Mechanical test tab for use with TE gauge number 100505.

Note: All part numbers are RoHS compliant.

FASTON Tabs (Continued)

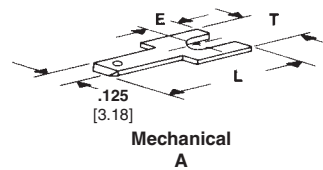
187 Series Test Tabs
(Mates with all "187" Series Receptacles)



| Style | Pairs | Stud Diameter | Stock Thickness | Dimensions | | | Material and Finish | UL | SP | Terminal Part No. | |
|-------|-------|---------------|-----------------|------------|-------|------|---------------------|------------------|----|----------------------|----------------------|
| | | | | L | E | T | | | | | |
| A | — | .125 3.18 | .020 | .605 | .090 | .295 | Brass | X | X | 60443-1 ¹ | |
| | | | 0.51 | 15.37 | 2.29 | 7.49 | Tin Plated Brass | — | — | 60443-5 ¹ | |
| | | | .032 | 0.81 | 15.37 | 2.29 | 7.49 | Brass | — | — | 63248-1 ¹ |
| | | | | | | | | Brass | X | X | 60443-2 ¹ |
| | | | | | | | | Tin Plated Brass | X | X | 60443-6 |
| | | | | | | | | Brass | — | — | 63248-2 |
| B | 1 | .145 3.68 | .020 | 1.276 | — | — | Tin Plated Steel | X | X | 60920-4 | |
| | | | 0.51 | 32.41 | — | — | Tin Plated Brass | — | — | 60920-5 | |
| | | | .032 | 0.81 | 32.41 | — | — | Brass | X | X | 62298-1 |
| | | | | | | | | Tin Plated Steel | X | X | 62298-2 |

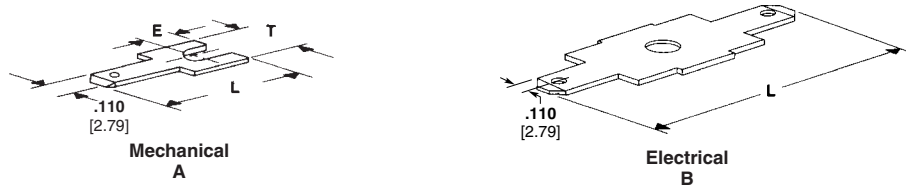
¹ Test tab with hole.

125 Series Test Tabs
(Mates with all "125" Series Receptacles)



| Style | Pairs | Stud Diameter | Stock Thickness | Dimensions | | | Material and Finish | UL | SP | Terminal Part No. |
|-------|-------|---------------|-----------------|---------------|--------------|--------------|---------------------|----|----|-------------------|
| | | | | L | E | T | | | | |
| A | — | .125 3.18 | .020 0.51 | .570 14.48 | .090 2.29 | .295 7.49 | Brass | — | — | 63747-1 |

110 Series Test Tabs
(Mates with all "110" Series Receptacles)



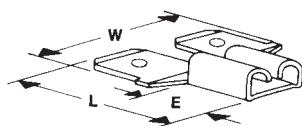
| Style | Stud Diameter | Stock Thickness | Dimensions | | | Material and Finish | UL | SP | Terminal Part No. | |
|-------|---------------|-----------------|--------------|-------|-------|---------------------|----|------------------|-------------------|------|
| | | | L | E | T | | | | | |
| A | .125 3.18 | .020 | .570 | .090 | .295 | Brass | X | X | 62061-1 | |
| | | 0.51 | 14.48 | 2.29 | 7.49 | Brass | — | — | 62061-2 | |
| | | .032 | 0.81 | 14.48 | 2.29 | | | | | 7.49 |
| | | | | | | | | | | |
| | | 0.41 | 14.48 | 2.29 | 7.49 | Brass | — | — | 62061-3 | |
| | | B | .145 3.68 | .020 | 1.151 | — | — | Tin Plated Steel | X | X |
| 0.51 | 29.24 | | | — | — | Brass | X | X | 62628-2 | |
| .020 | 0.51 | | | 29.24 | — | | | | | — |
| | | | | | | | | | | |

Note: All part numbers are RoHS compliant.

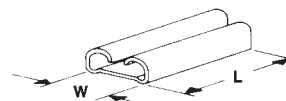
FASTON Tab Adapters

250 Series

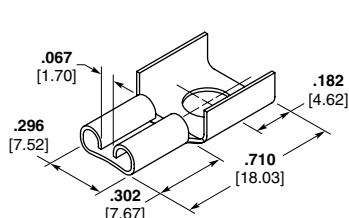
Fits Tab — .032 [0.81]



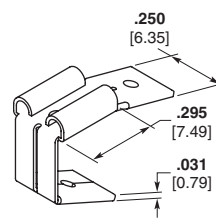
A



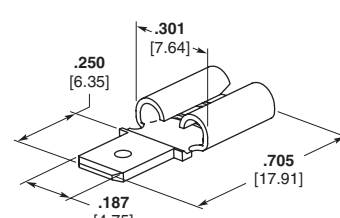
B



C



D



E

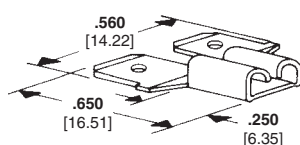
| Style | Stock Thickness | Dimensions | | | Material and Finish | UL | SP | Terminal Part No. |
|-------|---------------------|---------------|---------------|--------------|---------------------|----|----|------------------------|
| | | W | L | E | | | | |
| A | .018 0.46 Recpt. | .650 16.51 | .770 19.56 | .305 7.75 | Brass | X | X | 61765-1 |
| | .032 0.81 Tabs | | | | Tin Plated Brass | X | X | 61765-2 ¹ |
| B | .018 0.46 | .300 7.62 | .700 11.78 | — | Tin Plated Brass | X | X | 61810-2 |
| | | | | | | X | X | 63918-1 ² |
| C | .016 0.41 | — | — | — | Nickel Plated Steel | — | — | 151302-2 |
| | .016 0.41 | — | — | — | Brass (90°) | — | — | 152422-1 |
| D | .016 Recpt. 0.41 | — | — | — | Brass | — | — | 726308-1 |
| | .032 Tabs 0.81 | | | | | | | |
| E | .018 Recpt. 0.46 | .301 7.65 | .705 17.91 | .305 7.75 | Brass | X | X | 1742597-1 ³ |
| | .032 Tabs 0.81 | | | | | | | |

¹ No tab stop on receptacle.

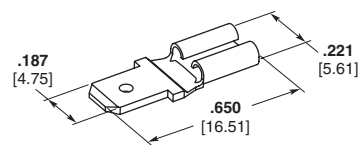
² Fits .025 [0.64] thick tab.

³ .187 [4.75] tab — .250 [6.35] receptacle.

187 Series



A



E

| Style | Stock Thickness | Receptacle Fits Tab | Material and Finish | UL | SP | Terminal Part No. |
|-------|---------------------|---------------------|---------------------|----|----|-------------------|
| A | .013 Recpt. 0.33 | .020 0.51 | Tin Plated Brass | X | X | 61045-2 |
| | .020 Tabs 0.51 | | | | | |
| | .013 Recpt. 0.33 | .032 0.81 | Tin Plated Brass | X | X | 63699-1 |
| | .032 Tabs 0.81 | | | | | |
| E | .013 Recpt. 0.33 | .032 0.81 | Tin Plated Brass | X | X | 1217933-1 |
| | .032 Tabs 0.81 | | | | | |

Note: All part numbers are RoHS compliant.

FASTON Printed Circuit Board Tabs and Receptacles

Product Facts

- Full line of PCB tabs and receptacles
- Straight and right-angle tabs available in .250, .187 and .110 series
- Receptacles produced in .250/.205 x .032 or .025. Standard or low insertion force receptacles available
- Strip product for automatic insertion
- Compatible with industry insertion equipment or full line of equipment available from TE



TE now offers a complete line of printed circuit board tabs and receptacles. TE PCB product can be found in switches and on control boards around the world. Our product offering includes .250, .187 and .110 series vertical tabs, .250 and .187 right-angle tabs and .250/.205 vertical receptacles. Product is available in loose piece and strip form. In a short time, our product offering has grown from a handful of part numbers to dozens of parts. We continue to add to our product family as design changes, innovation and customers' requirements expand.

Insertion equipment is available for our entire strip product line. TE currently has an entry level semi-automatic, air-powered bench machine under development for customers with moderate insertion requirements. The compact, fully automatic AccuSserter 2 machine is available for applications where larger volumes will be inserted and where programmable, microprocessor controlled equipment is desired. TE also offers the P300 and P350 series machines for even higher automation. Capabilities include: servo drive, force monitoring, up to three heads. This machine is available in stand-alone or in-line configurations.

The TE product has been designed to be compatible with industry insertion equipment. In many cases, this product will work as a "drop in" replacement for existing product. In some cases, slight modifications or minor tooling changes are necessary. Please consult technical support or the global application tooling group for more details.

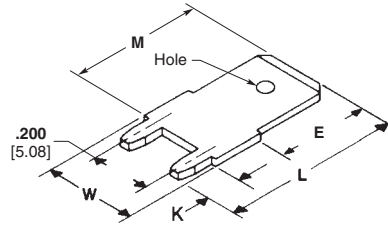
TE is one of the only companies that offers printed circuit board tabs and receptacles as well as the crimp to wire receptacles and tabs that offer a complete solution for your packaging needs.

FASTON Printed Circuit Board Tabs and Receptacles (Continued)

250 Series Printed Circuit Board Tabs

Stock Thickness — .032 [0.81]

Board Hole Size —
.055 ± .002 [1.40 ± 0.05] Dia.



| Dimensions | | | | | Material and Finish | AU | SP | Terminal Part No. | |
|--------------|---------------|--------------|---------------|---------------|---------------------|----|----|----------------------|--------------------------|
| W | L | K | E | M | | | | Strip ² | Loose Piece ¹ |
| | .502 12.75 | .125 3.18 | .312 7.92 | .377 9.58 | Tin Plated Brass | X | X | 63839-1 ³ | — |
| .312 7.92 | .547 13.89 | .157 3.99 | .312 7.92 | .400 10.16 | Tin Plated Brass | X | X | 63986-1 | — |
| | .552 14.02 | .150 3.81 | .312 7.92 | .402 10.21 | Tin Plated Brass | X | X | 1217566-1 | — |
| .295 7.49 | .622 15.80 | .125 3.18 | .312 7.92 | .497 12.62 | Tin Plated Brass | X | X | — | 62409-1 ³ |
| | | | | | — | — | — | 1217056-1 | |
| | .487 12.37 | .125 3.18 | .312 7.92 | .362 9.19 | Tin Plated Brass | X | X | 62650-1 ³ | — |
| .280 7.11 | .532 13.51 | .175 4.45 | .312 7.92 | .357 9.07 | Tin Plated Brass | X | X | 63650-1 ³ | — |
| | .622 15.80 | .125 3.18 | .452 11.48 | .497 12.62 | Tin Plated Brass | X | X | — | 63900-1 |
| | | | | | | X | X | 63755-1 ³ | — |

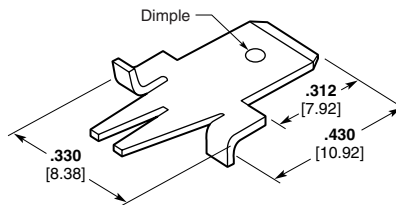
¹ Board hole size: .060/.053 [1.52/1.35] dia.

² Insertion equipment available.

³ Dimple.

Stock Thickness — .032 [0.81]

Board Hole Size —
.100 ± .002 [2.54 ± 0.05] Dia.



| Material and Finish | AU | SP | Terminal Part No. | |
|---------------------|----|----|--------------------|-------------|
| | | | Strip ¹ | Loose Piece |
| Tin Plated Brass | X | X | 63066-1 | 63067-1 |

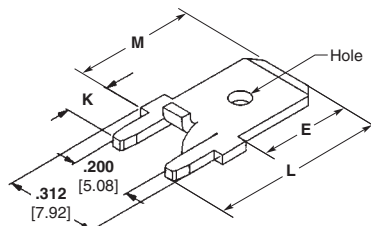
¹ Insertion equipment available.

Note: All part numbers are RoHS compliant.

FASTON Printed Circuit Board Tabs and Receptacles (Continued)

250 Series Printed Circuit Board Tabs (Continued)

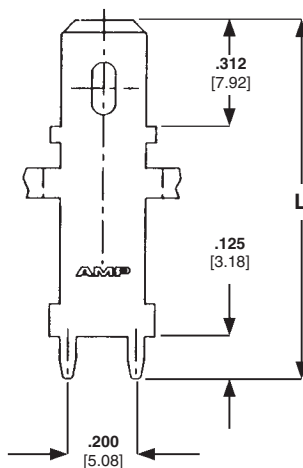
Stock Thickness — .032 [0.81]
Board Hole Size —
 .055 ± .002 [1.40 ± 0.05] Dia.



| Dimensions | | | | Material and Finish | UL | SP | Terminal Part No. | |
|----------------------|---------------------|----------------------|----------------------|---------------------|----|----|------------------------|------------------------|
| L | K | E | M | | | | Strip ¹ | Loose Piece |
| .552 14.02 | .150 3.81 | .312 7.92 | .402 10.21 | Tin Plated Brass | X | X | 63862-1 ² | 1742188-1 ² |
| .582 14.78 | .180 4.57 | .312 7.92 | .402 10.21 | Tin Plated Brass | X | X | 1217136-1 | 1217421-1 |
| .650 16.51 | .150 3.81 | .410 10.41 | .500 12.70 | Tin Plated Brass | X | X | 1217126-1 ² | — |
| .710 18.03 | .150 3.81 | .470 11.94 | .560 14.22 | Tin Plated Brass | X | X | 1217125-1 | 1217169-1 |
| .780 26.18 | .150 3.81 | .540 13.72 | .630 16.00 | Tin Plated Brass | X | X | 1217127-1 | 1217167-1 |

¹ Insertion equipment available.
² Dimple.

Stock Thickness — .032 [0.81]
Board Hole Size —
 .055 ± .002 [1.40 ± 0.05] Dia.



| Dimension L | Material and Finish | UL | SP | Terminal Part No. |
|-----------------------|---------------------|----|----|-------------------|
| 1.062 26.97 | Tin Plated Brass | X | X | 63949-1 |
| 1.207 30.66 | Tin Plated Brass | X | X | 63950-1 |

Note: All part numbers are RoHS compliant.

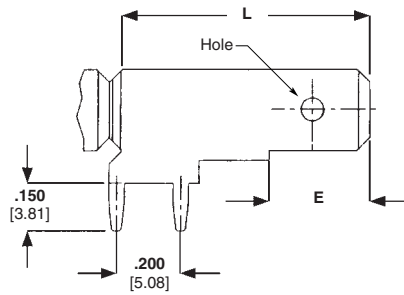
FASTON Printed Circuit Board Tabs and Receptacles (Continued)

250 Series Printed Circuit Board Tabs (Continued)

Right-Angle Printed Circuit Board Tabs

Stock Thickness — .032 [0.81]

Board Hole Size —
.055 ± .002 [1.40 ± 0.05] Dia.



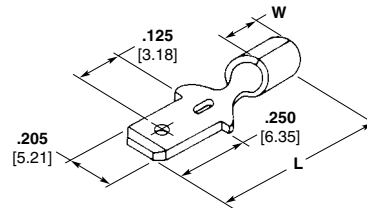
| Dimensions | | Material and Finish | UL | SP | Terminal Part No. | |
|---------------|---------------|---------------------|----|----|--------------------|-------------|
| E | L | | | | Strip ¹ | Loose Piece |
| .312 7.92 | .800 20.32 | Tin Plated Brass | X | X | 63951-1 | 1217754-1 |
| .358 9.09 | .630 16.00 | Tin Plated Brass | — | — | — | 928814-1 |
| .662 16.83 | 1.00 25.40 | Tin Plated Brass | — | — | 63952-1 | — |

¹ Insertion equipment available.

205 Series Printed Circuit Board Only

Stock Thickness — .020 [0.51]

Board Hole Size —
.100 – .095 [2.54 – 2.41] Dia.

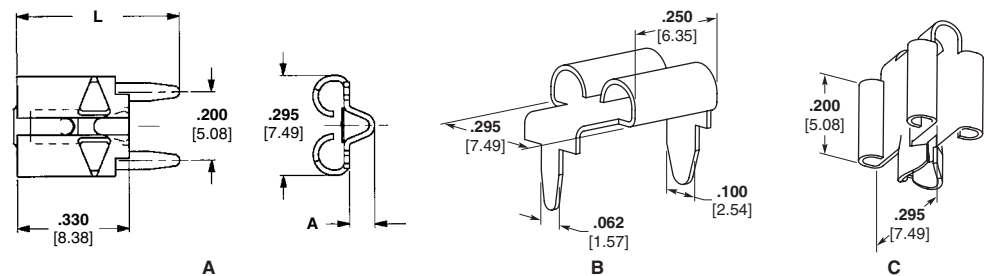


| Dimensions | | Material and Finish | UL | SP | Terminal Part No. | |
|---------------|--------------|---------------------|----|----|----------------------|-------------|
| L | W | | | | Strip ¹ | Loose Piece |
| .525 13.34 | .070 1.78 | Tin Plated Brass | X | X | 62411-1 ¹ | — |
| .545 13.84 | .160 4.06 | Tin Plated Brass | X | X | 60284-2 ¹ | — |

¹ Loose piece only.

.250/.205 Printed Circuit Board Receptacles

Stock Thickness — .016 [0.41]



| Style | Fits Tab | Dimensions | | Material and Finish | UL | SP | Part No. | |
|-------|-------------------------------------|--------------|---------------|------------------------|----|----|------------------------|-------------|
| | | A | L | | | | Strip | Loose Piece |
| A | .032 0.81 (LIF) | .075 1.91 | .480 12.19 | Tin Plated Brass | — | — | 63968-1 | — |
| | .032 0.81 | .075 1.91 | .480 12.19 | Tin Plated Brass | — | — | 63969-1 | 1217080-1 |
| | .025 0.64 (LIF) | .075 1.91 | .480 12.19 | Tin Plated Brass | — | — | 63994-1 | — |
| | .025 0.64 | .075 1.91 | .510 12.95 | Tin Plated Brass | — | — | 1217137-1 ² | — |
| | .025 0.64 | .075 1.91 | .480 12.19 | Tin Plated Brass | — | — | 1217180-1 | — |
| B | .020 0.51 | — | — | Tin Plated Phos Bronze | — | — | 1217107-1 ¹ | — |
| C | .250 x .016 6.35 x 0.41 Spade | — | — | Tin Plated Brass | — | — | 62751-1 | 62806-1 |

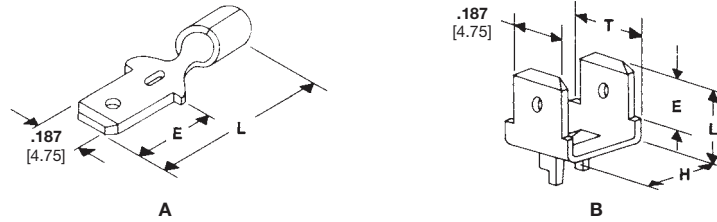
Note: All part numbers are RoHS compliant.

¹ Horizontal mount.
² .180 [4.57] length — solder legs.

FASTON Printed Circuit Board Tabs and Receptacles (Continued)

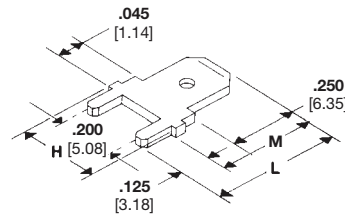
**187 Series
Printed Circuit Board Tabs**

Stock Thickness — .020 [0.51]



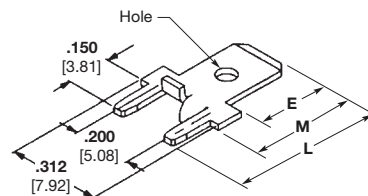
| Type | Board Thickness | Dimensions | | | | Material and Finish | UL | SP | Terminal Part No. |
|------|-----------------|--------------|---------------|--------------|--------------|---------------------|----|----|----------------------|
| | | T | L | E | H | | | | |
| A | .062 1.57 | — | .545 13.84 | .250 6.35 | — | Tin Plated Brass | X | X | 61907-1 ¹ |
| B | .062 1.57 | .250 6.35 | .332 8.43 | .250 6.35 | .303 7.70 | Pre-Tin Brass | X | X | 62221-1 ² |

¹ Loose piece only.
² Insertion equipment available.



| Tab Thickness | Board Hole Size | Dimensions | | | Material and Finish | UL | SP | Terminal Part No. | |
|---------------|------------------------|---------------|--------------|--------------|---------------------|----|----|----------------------|------------------------|
| | | L | M | H | | | | Strip ² | Loose Piece |
| .032 0.81 | .053-.057 1.35-1.45 | .487 12.37 | .362 9.19 | .280 7.11 | Tin Plated Brass | X | X | 63525-1 ¹ | 1217057-1 ¹ |
| | | .487 12.37 | .362 9.19 | .285 7.24 | Tin Plated Brass | X | X | 63603-1 | 1217131-1 |
| .020 0.51 | .050-.054 1.27-1.37 | .440 11.18 | .315 8.00 | .312 7.92 | Tin Plated Brass | X | X | 63838-1 | — |

¹ Dimple.
² Insertion equipment available.



| Tab Thickness | Dimensions | | | Material and Finish | UL | SP | Terminal Part No. | |
|---------------|---------------|---------------|---------------|---------------------|----|----|----------------------|------------------------|
| | L | E | M | | | | Strip ³ | Loose Piece |
| .032 0.81 | .490 12.45 | .250 6.35 | .340 8.64 | Tin Plated Brass | X | X | 63860-1 ¹ | — |
| | .510 12.95 | .250 6.35 | .370 9.40 | Tin Plated Brass | X | X | 1742361-1 | — |
| | .710 18.03 | .470 11.94 | .560 14.22 | Tin Plated Brass | X | X | 1217124-1 | — |
| | .635 16.13 | .395 10.03 | .485 12.32 | Tin Plated Brass | X | X | — | 1217332-1 ² |
| .020 0.51 | .490 12.45 | .250 6.35 | .340 8.64 | Tin Plated Brass | X | X | 63823-1 | 63982-1 |
| | .510 12.95 | .250 6.35 | .370 9.40 | Tin Plated Brass | X | X | 1742362-1 | — |

¹ Dimple.
² No hole or dimple.
³ Insertion equipment available.

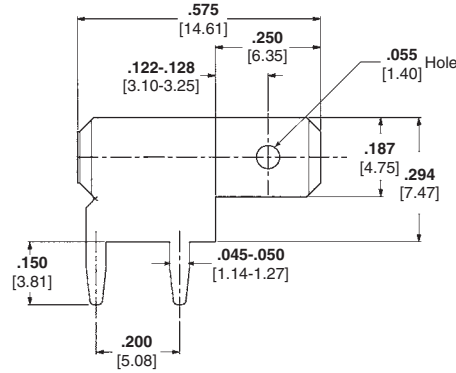
Note: All part numbers are RoHS compliant.

FASTON Printed Circuit Board Tabs and Receptacles (Continued)

**187 Series
Printed Circuit Board Tabs**

(Continued)

Right-Angle Printed Circuit Board Tabs

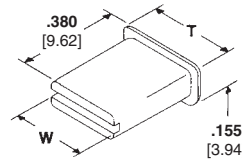


| Stock Thickness | Board Hole Size | Material and Finish | UL | CS | Terminal Part No. |
|-----------------|------------------------|---------------------|----|----|------------------------|
| .032 0.81 | .053-.057 1.35-1.45 | Tin Plated Brass | X | X | 1217061-1 |
| | | | — | — | 1217756-1 ¹ |
| .020 0.51 | .050-.054 1.27-1.37 | Tin Plated Brass | X | X | 1217062-1 |
| | | | — | — | 1217156-1 ¹ |

¹ Loose piece.

Printed Circuit Board
Tabs and Receptacles

**Tab Caps 187 and 250
Series**



| Tab Size | Material | UL 94 ¹ | Color | Dimensions | | Insulator Part No. |
|-----------------------------------|----------|--------------------|---------|------------|------|--------------------|
| | | | | T | W | |
| "187" Series .020 [0.51] Thick | Nylon | V2 | Natural | .320 | .260 | 360041-1 |
| | | | | 8.13 | 6.60 | |
| "250" Series .032 [0.81] Thick | Nylon | V2 | Natural | .380 | .320 | 360042-1 |
| | | | | 9.65 | 8.13 | |

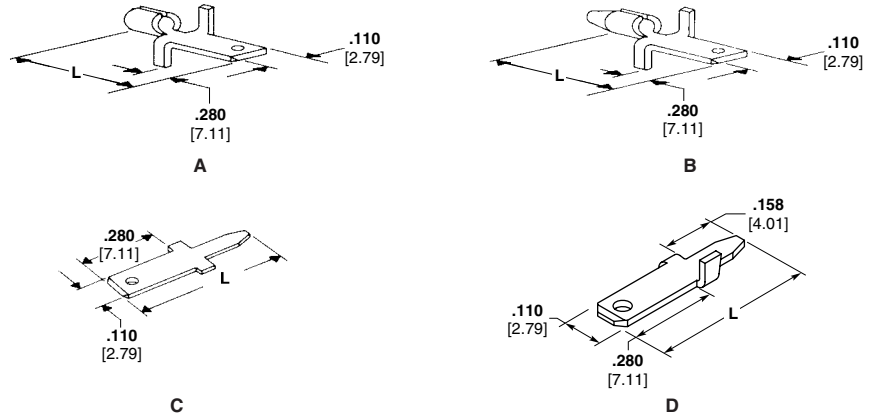
¹ Flammability rating.

Note: All part numbers are RoHS compliant.

FASTON Printed Circuit Board Tabs and Receptacles (Continued)

.110 Series Printed Circuit Board Tabs

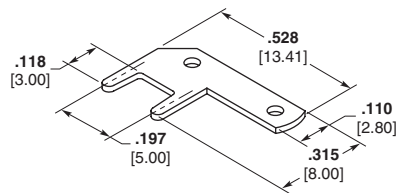
Stock Thickness — .020 [0.51]



| Style | Mating Hole Diameter | Dim. L | Material and Finish | Ⓡ | Ⓢ | Terminal Part No. |
|-------|------------------------|---------------|---------------------|---|---|--|
| A | .060-.055 1.52-1.40 | .490 12.45 | Tin Plated Brass | X | X | 61134-3 ¹ |
| B | .067-.063 1.70-1.60 | .485 12.32 | Tin Plated Brass | X | X | 61968-1 ² 62437-1 ¹ |
| C | .044-.048 1.12-1.22 | .490 12.45 | Tin Plated Brass | X | X | 62395-1 ² |
| | | .622 15.80 | Tin Plated Brass | X | X | 63756-1 ^{2,3} |

¹ Loose piece only.
² Insertion machine available.
³ .032 [0.81] stock.
⁴ .060 [1.52] tab width.

Right-Angle Printed Circuit Board Tabs



| Tab Thickness | PCB Hole Dia. +0/-0.01 [+0/-0.03] | Material and Finish | Ⓡ | Ⓢ | Terminal Part No. |
|---------------|-----------------------------------|---------------------|---|---|-------------------|
| .032 0.81 | .055 1.40 | Tin Plated Brass | — | — | 725963-2 |
| .020 0.51 | .051 1.30 | Tin Plated Brass | — | — | 725996-2 |

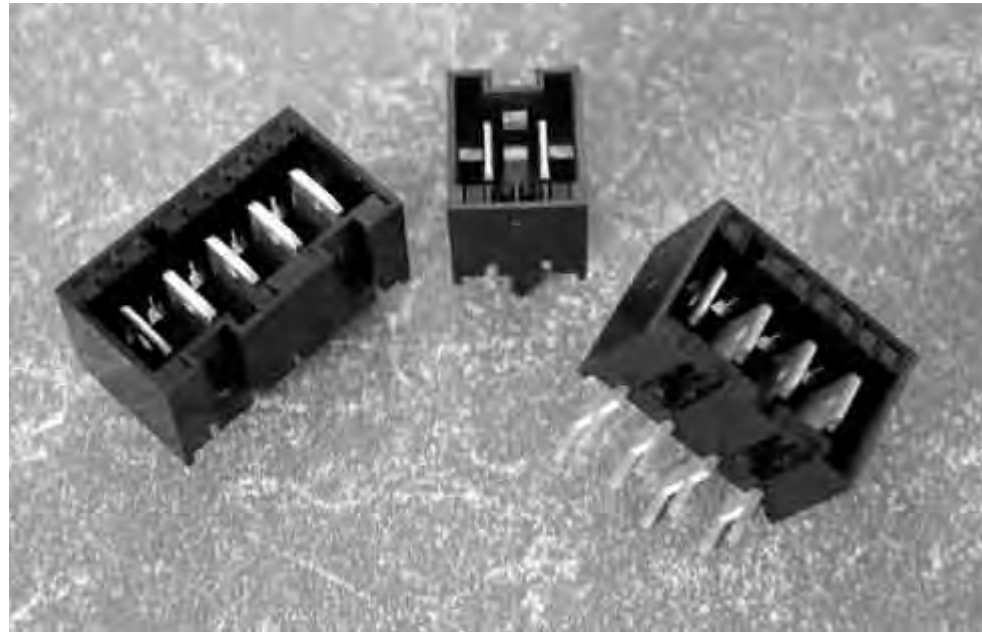
Note: All part numbers are RoHS compliant.

FASTON Printed Circuit Board Tabs and Receptacles (Continued)

FASTON RAST 5 Tab Header Assembly, 250 Series

Product Facts

- **.250 x .032 [6.3 x 0.8]**
FASTON Tabs built on 5 mm centerlines
- **Shrouded header assembly that conforms to the European RAST 5 Standard**
- **Mating TE connector families include Positive Lock RAST 5 connector system, AMP standard timer RAST 5, AMP multifitting, AMP multifitting MKII, AMP MONO-SHAPE TAB MKI, and AMP MONO-SHAPE MKII**
- **Vertical and right-angle versions available in 2 through 8 positions**
- **Tin plated brass tabs are standard, silver plated tab versions are available upon request**
- **Lead free design is RoHS and ELV compliant**
- **UL 94 V-0 housing meets Glow Wire IEC 60695-1 Section 30.2.3 – 750° No Flame**
- **Component recognition USR and CSR under file no. E28476**
- **VDE tested according to DIN EN61984 (VDE0627): 2002-09; EN61984: 2001 VDE reg. no. B718**



The FASTON RAST 5 Tab header assembly system is designed to provide a RAST 5 interface to a printed circuit board. The RAST 5 standard defines and standardizes the connector mating interface. 250 series tabs are placed on 5mm center lines with a plastic shroud that has keying, polarization, and locking features that help prevent mismatching of the corresponding RAST 5 female receptacle housing. The header assembly is

designed to accept any RAST 5 compliant female receptacle system or individual quick connects.

The most common application for this product is for household appliance controls where OEMs want to minimize the possibility of crossed wires. It is also suited for other applications such as gaming, vending, and exercise equipment controls as well as residential, commercial and industrial HVAC and light industrial equipment. The

system comes fully assembled and is easily press fit into the board for the soldering operation. Preassembly of the tabs into the header ensures tab perpendicularity to the board. The solder leg PCB layout is based on the industry standard for similar systems available on the market. To further enhance correct placement onto the board, the vertical system includes a plastic post which allows header placement to be polarized.

Material

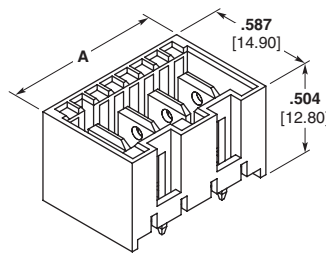
UL 94 V-0, 6/6 Nylon

See TE Catalog 1654742 for the complete line of RAST products.

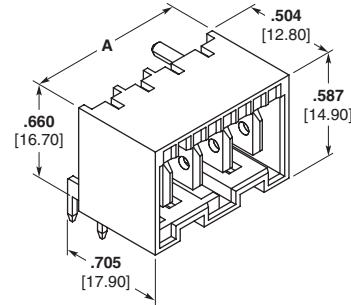
FASTON Printed Circuit Board Tabs and Receptacles (Continued)

FASTON RAST 5 Tab Header Assembly, 250 Series

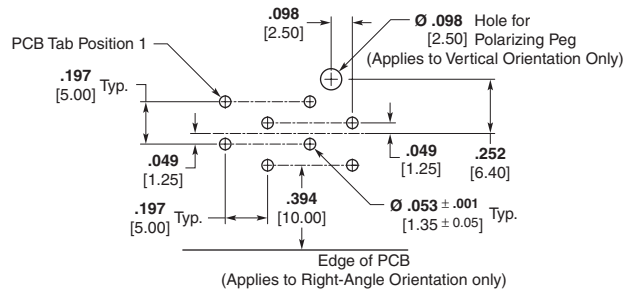
(Continued)



Vertical Orientation



Right-Angle Orientation



PCB Layout
(Ref.) from Component Side

| No. of Positions | RAST 5 Configuration | Dim. A | Part Numbers | |
|------------------|----------------------|---------------|--------------|-------------|
| | | | Vertical | Right-Angle |
| 2 | 02-A | .484 [12.30] | 521382-2 | 521384-2 |
| | 02-C | .484 [12.30] | 2-521382-2 | 2-521384-2 |
| | 02-E | .484 [12.30] | 3-521382-2 | 3-521384-2 |
| | 02-I | .484 [12.30] | 5-521382-2 | 5-521384-2 |
| 3 | 03-A | .681 [17.30] | 521382-3 | 521384-3 |
| | 03-B | .681 [17.30] | 1-521382-3 | 1-521384-3 |
| | 03-D | .681 [17.30] | 2-521382-3 | 2-521384-3 |
| | 03-K | .681 [17.30] | 4-521382-3 | — |
| 4 | 04-A | .878 [22.30] | 521382-4 | 521384-4 |
| | 04-B | .878 [22.30] | 1-521382-4 | 1-521384-4 |
| | 04-F | .878 [22.30] | 3-521382-4 | 3-521384-4 |
| | 04-G | .878 [22.30] | 4-521382-4 | 4-521384-4 |
| 5 | 05-B | 1.075 [27.30] | 521382-5 | 521384-5 |
| 6 | 06-A | 1.272 [32.30] | 521382-6 | 521384-6 |
| | 06-D | 1.272 [32.30] | 1-521382-6 | 1-521384-6 |
| 7 | 07-C | 1.469 [37.30] | 521382-7 | 521384-7 |
| 8 | 08-D | 1.665 [42.30] | 521382-8 | 521384-8 |
| | 08-C | 1.665 [42.30] | 2-521382-8 | 2-521384-8 |

Refer to the TE Customer Drawing for additional details and specific keying patterns.
For more information related to the RAST 5 Standard, see TE Literature Distribution no. 1308243.

Available variations include: silver plated tabs, DIN style tabs, and Glow Wire housings.

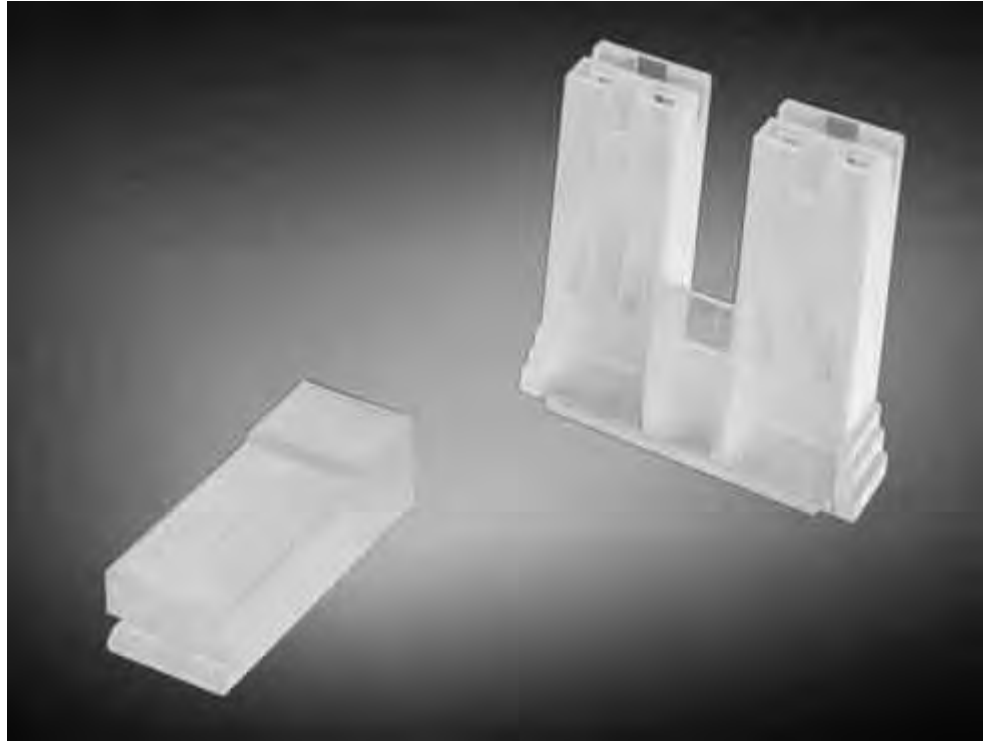
RAST 5 headers mate to the following product families: AMP multifitting MKII, RAST 5 Positive Lock MKIII, AMP Standard Timer and AMP Standard Power Timer.

Note: All part numbers are RoHS compliant.

FASTON Housings

Product Facts

- Straight, right-angle, multiple position and special application housings available
- Various materials and temperature ratings available
- Accept FASTON receptacles
- Special application housings include microswitch, gas valve, wax motor and water valve housings
- Available in .312, .250, .205, .187 and .110 Series
- Translucent plastic insulating sleeves in both straight and flag configurations

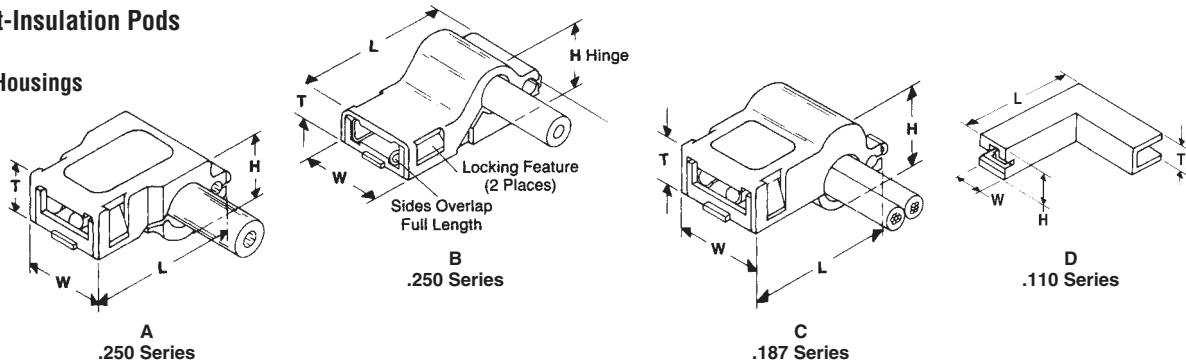


FASTON housings are designed to be used with the FASTON terminal line. They come in sizes ranging from .312, .250, .205, .187 and .110 and are available in multiple positions and configurations. Included in this line are special connectors, including water valve connectors,

microswitch connectors, gas valve connectors, and various other special application connectors. Many of these housings are available in both V-2 and V-0 rated materials. Translucent plastic insulating sleeves are available for use with FASTON receptacles and flags.

FASTON Housings (Continued)

AMPIP Post-Insulation Pods
Flag Style
Receptacle Housings



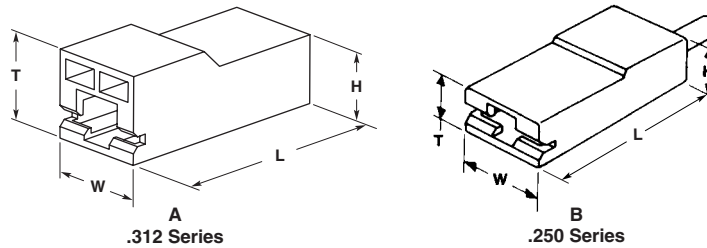
| Style | Material | UL 94 ¹ | Color | Insulation Dia. Max. | Dimensions | | | | | Part Number | Type | Accepts Terminal | UL | CS |
|-------|----------|--------------------|--------------|----------------------------------|---------------|--------------|---------------|--------------|------------|------------------|---|------------------|------------|-------------------------|
| | | | | | L | T | W | H | H | | | | | |
| A | Nylon | V2 | Natural | .210 5.33 | .787 19.99 | .266 6.76 | .448 11.38 | .360 9.14 | 1-480298-0 | Continuous Strip | "250" Series Flag FASTON Tab-Lok Receptacles 41531, 41532, 42511, 61156, 63445 | X | X | |
| | | | V0 Natural | | | | | | | | | | | |
| | | | V2 Nat. 150° | | | | | | | | | | | |
| | | | V2 Natural | | | | | | | 1-480307-1 | | Loose Piece | 1-480307-7 | Loose Piece |
| B | Nylon | V2 | Natural | .140 3.56 (2) .110 2.79 | .732 18.59 | .180 4.57 | .460 11.68 | .315 8.00 | 1-480296-0 | Continuous Strip | "250" Series Flag FASTON Commercial Receptacle 60290, 60736, 62418 | X | X | |
| | | | Loose Piece | | | | | | | | | | | |
| C | Nylon | V2 | Natural | .175 4.45 | .699 17.75 | .230 5.84 | .430 10.92 | .320 8.13 | 1-480487-2 | Loose Piece | "187" Series Tab-Lok Flag FASTON ² | X | X | |
| | | | V Natural | | | | | | | | | | | 1-480487-4 ³ |
| D | Nylon | V2 | Natural | — | .550 13.97 | .205 5.21 | .225 5.72 | .200 5.08 | 360040-1 | Loose Piece | "110" Series FASTON 61070, 61481, 62336 | X | X | |

¹ Flammability rating of plastic material.

² Does not accept commercial series.

³ Material according to IEC 60335-1.

Straight Style
Receptacle Housing



| Style | Type | Material | UL 94 ¹ | Color | Insulation Dia. Max. | Dimensions | | | | | Part Number | Accepts Terminal | UL | CS |
|-------|-------------|---------------|--------------------|--------------|----------------------|----------------|---------------|---------------|--------------|-------------------------|---------------------------------|--|----|-----------|
| | | | | | | L | T | W | H | H | | | | |
| A | Loose Piece | Nylon | V0 | Black | .200 5.08 | 1.035 26.29 | .400 10.16 | .440 11.18 | .310 7.87 | 1969186-1 | "312" Series FASTON Receptacles | X | X | |
| | | | V2 | Natural | | | | | | | | | | 1969186-2 |
| B | Loose Piece | Nylon | V2 | Natural | .260 6.60 | .961 24.40 | .181 4.60 | .358 9.10 | .314 8.00 | 171706-1 | | X | X | |
| | | | V2 | Natural | .224 5.69 | 1.03 26.20 | .225 6.70 | .490 12.40 | .285 7.20 | 521053-1 | | — | — | |
| | | | V2 | Natural | | | | | | 1-480416-0 | | | | |
| | | | V0 | Natural | | | | | | 1-480416-7 | | | | |
| | | | V2 | Natural 150° | .200 5.08 | .920 23.37 | .280 6.60 | .390 9.91 | .298 7.57 | 1-480416-8 | | X | X | |
| | | | V2 | Black | | | | | | 1-480416-1 | | | | |
| | | | V2 | Natural | | | | | | 2-480416-2 ² | | "250" Series FASTON Receptacles ³ | — | — |
| | | | V2 | Natural | .187 4.75 | .995 25.30 | .193 4.90 | .354 9.00 | .252 6.40 | 280232 | | — | — | |
| | | | V0 | Natural | .187 4.75 | .995 25.30 | .193 4.90 | .354 9.00 | .252 6.40 | 280232-6 | | — | — | |
| | | | V2 | Natural | .169 4.30 | .960 24.40 | .181 4.60 | .366 9.30 | .209 5.30 | 336369-1 | | X | — | |
| | | Polypropylene | HB | Clear | .161 4.10 | .960 24.40 | .181 4.60 | .362 9.20 | .209 5.30 | 735075 | X | — | | |

¹ Flammability rating of plastic material.

² Material according to IEC 60335-1.

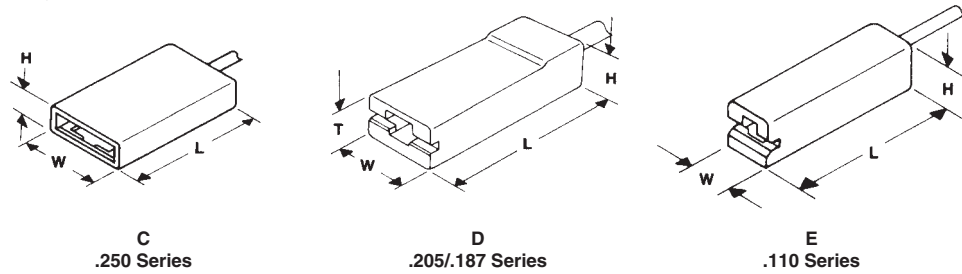
³ Contact product engineering for terminal recommendations when using these insulators with 10 AWG.

Note: All part numbers are RoHS compliant.

FASTON Housings (Continued)

AMPIP Post-Insulation Pods (Continued)

Straight Style Receptacle Housing (Continued)



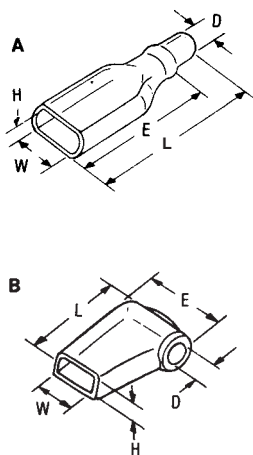
FASTON Housings

| Style | Type | Material | UL 94 ¹ | Color | Insulation Dia. Max. | Dimensions | | | | Part Number | Accepts Terminal | UL | CS |
|-------|-------------|----------|--------------------|---------|----------------------|---------------|--------------|---------------|--------------|---|---|----|----|
| | | | | | | L | T | W | H | | | | |
| C | Loose Piece | Nylon | V2 | Natural | .125 3.18 | .955 24.26 | — | .570 14.48 | .190 4.83 | 1-480458-0 | "250" Series FASTON Economy Receptacles 42660, 42743, 42845, 61202 | X | X |
| | | | | | .180 4.57 | .775 19.69 | .225 5.72 | .338 8.59 | .245 6.22 | | | | |
| D | Loose Piece | Nylon | V2 | Natural | .170 4.32 | .775 19.69 | .215 5.46 | .308 7.82 | .235 5.97 | 1-480435-0 1-480435-5 ² | "187" Series FASTON Receptacles 42373, 42374, 42452, 42453, 42617, 60487, 60573, 62137, 62138, 62187, 63475, 63477 | X | X |
| | | | | | .150 3.81 | .790 20.07 | — | .235 5.97 | .240 6.10 | | | | |
| E | Loose Piece | Nylon | V2 | Black | .150 3.81 | .790 20.07 | — | .235 5.97 | .240 6.10 | 1-480417-1 | "110" Series FASTON Receptacles 42067, 42068, 42236, 42398, 42399, 42415, 60118, 60197, 60577, 60601, 60729, 61158, 61400, 61457, 61818, 62050, 62094, 62191, 62345 | X | X |

¹ Flammability rating of plastic material.
² Material according to IEC 60335-1.

Insulation Sleeves For FASTON Receptacle

Material — Soft Vinyl Chloride Cloudy



| Style | FASTON Series | Dimensions | | | | | Part Number |
|--------------|---------------|---------------|---------------|---------------|--------------|---------------|--------------|
| | | D | E | L | W | H | |
| A | 250 | .079 2.00 | .748 19.00 | .945 24.00 | .315 8.00 | .138 3.50 | 170823-3 |
| | | .098 2.50 | | | | | |
| | | .126 3.20 | .866 22.00 | 1.06 27.00 | .315 8.00 | .138 3.50 | 1-170823-8 |
| | | .787 20.00 | .984 25.00 | .315 8.00 | .138 3.50 | 1-170823-5 | |
| | | .138 3.50 | 1.18 30.00 | | | 1.38 35.00 | 1-170823-9 |
| | | 1.38 35.00 | 1.57 40.00 | 2-170823-0 | | | |
| | 205 | .189 4.80 | .787 20.00 | .984 25.00 | .315 8.00 | .138 3.50 | 170823-6 |
| | | .098 2.50 | .709 18.00 | .906 23.00 | .256 6.50 | .118 3.00 | 4-170823-1 |
| | | .087 2.20 | .709 18.00 | .906 23.00 | .228 5.80 | .087 2.20 | 1-170823-3 |
| | | | | | | | .098 2.50 |
| | | .071 1.80 | .300 16.00 | .827 21.00 | .157 4.00 | .083 2.10 | 170823-9 |
| | | | | | | | .098 2.50 |
| .126 3.20 | .571 14.50 | .728 18.50 | .335 8.50 | .177 4.50 | 170891-1 | | |
| | | | | | .189 4.80 | 170891-2 | |
| .126 3.20 | .488 12.40 | .587 14.90 | .256 6.50 | .118 3.00 | 3-170823-8 | | |

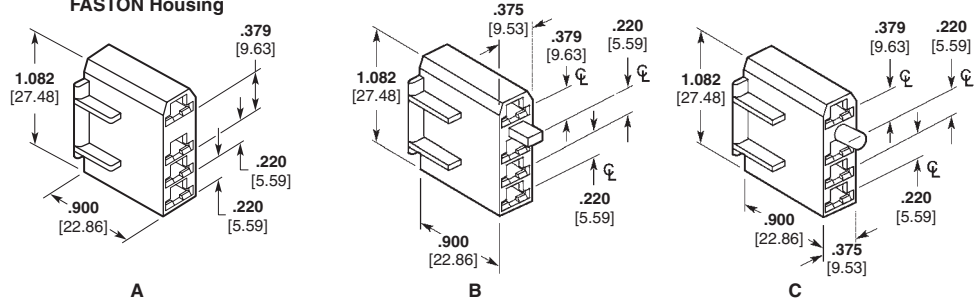
Note: All part numbers are RoHS compliant.

FASTON Housings (Continued)

Multi-Position Housings

.250 [6.35] Series

4 Circuit
.250 Series
FASTON Housing

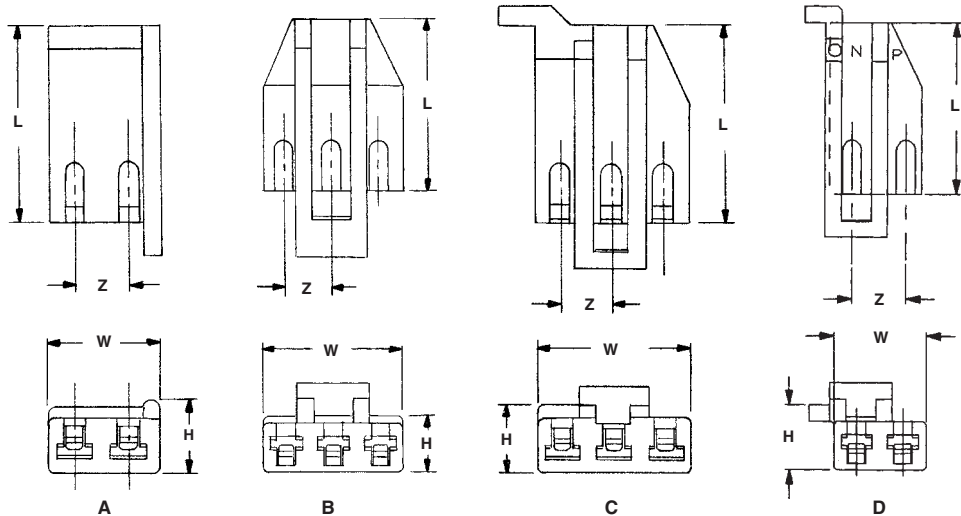


| Style | Material | UL 94 ¹ | Color | Part Number | Accepts Terminals | | |
|-------|----------|--------------------|---------|-------------|------------------------------|---|---|
| A | Nylon | V2 | Black | 520987-1 | .250 Low Insertion Terminals | X | X |
| | | | Natural | 520987-2 | | — | — |
| | | | Black | 520987-4 | | X | X |
| | | | Natural | 520987-5 | | — | — |
| B | Nylon | V2 | Black | 521065-1 | .250 Low Insertion Terminals | X | X |
| C | Nylon | V2 | Black | 521066-1 | .250 Low Insertion Terminals | X | X |

¹ Flammability rating of plastic material.
² Material according to IEC 60335-1.

Multi-Position Housings

**.110 [2.79] Series
Ignition Connectors**



| Style | Material | UL 94 ¹ | Color | Dimensions | | | | Part Number | Accepts Terminal ² | | |
|-------|-----------|--------------------|---------|--------------|---------------|--------------|---------------|-------------|-------------------------------|---|---|
| | | | | Z | W | H | L | | | | |
| A | Nylon | V2 | Black | .224 5.69 | .470 11.94 | .305 7.75 | .825 20.96 | 520206-2 | 62942, 63021, 63093 | X | X |
| D | Nylon | V2 | Black | .224 5.69 | .444 11.28 | .315 8.00 | .827 21.01 | 520217-2 | 62942, 63021, 63093 | X | X |
| | | | Yellow | | | | | 520217-3 | | | |
| | Polyester | HB | Natural | 520217-4 | | | | | | | |
| B | Nylon | V2 | Natural | .224 5.69 | .668 16.97 | .235 5.97 | .825 20.96 | 520219-1 | 62942, 63021, 63093 | X | X |
| | | | Black | | | | | 520219-2 | | | |
| | Polyester | HB | Black | .224 5.69 | .668 16.97 | .235 5.97 | .825 20.96 | 520219-4 | | | |
| C | Nylon | V2 | Black | .224 5.69 | .444 11.28 | .315 8.00 | .866 22.00 | 520220-2 | 63093 | X | X |

¹ Flammability rating of plastic material.
² For dimensions see TE customer drawing.

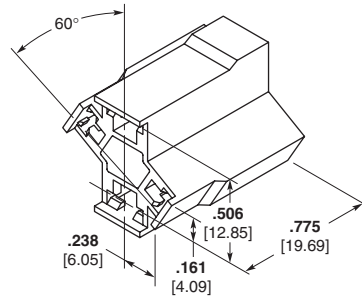
Note: All part numbers are RoHS compliant.

FASTON Housings (Continued)

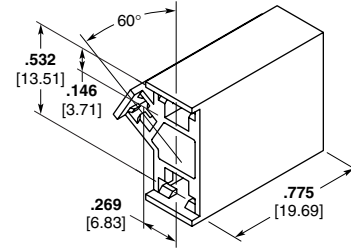
Housings for Special Applications

**Appliance Connectors
Door Interlock Switch**

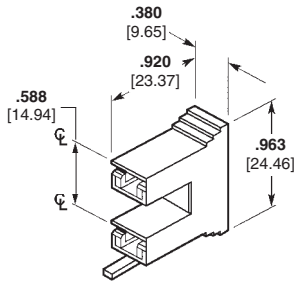
FASTON Housings



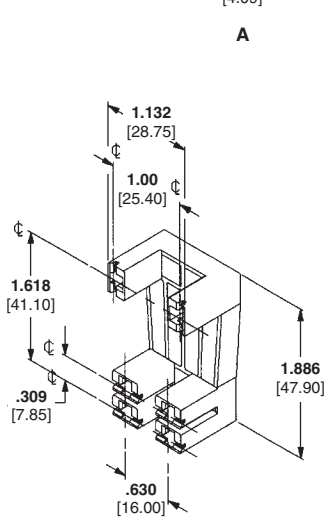
A



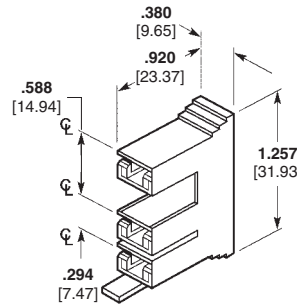
B



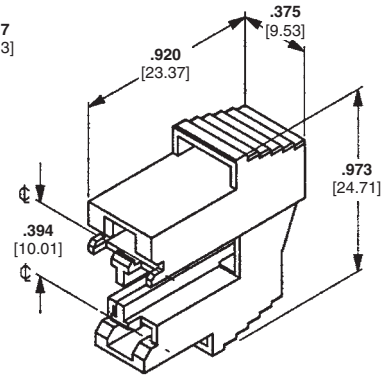
C
T-Motor Connector



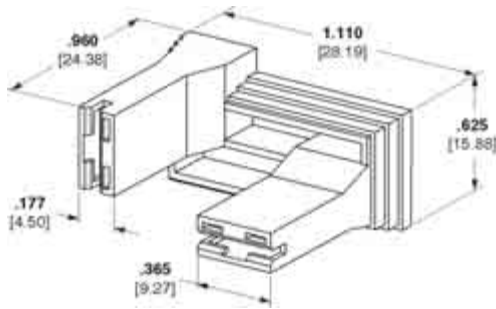
E
Potter & Brumfield Relay Connector



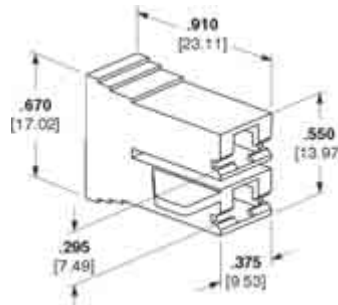
D
T-Motor Connector



F
Pressure Switch



G
T9A Relay Connector



H
RF Relay Connector

| Style | Material | UL 94 ¹ | Color | Part Number | Accepts Terminals | | |
|-------|----------|--------------------|---------------|-------------|-------------------|---|---|
| A | Nylon | V2 | Natural 150°C | 521251-1 | 110/187 | X | — |
| | | | Natural | 520978-1 | 110/187 | X | X |
| B | Nylon | V2 | Natural 150°C | 520978-2 | 110/187 | X | X |
| | | | Natural | 521069-1 | 250 LIF | X | X |
| C | Nylon | V2 | Natural | 521069-1 | 250 LIF | X | X |
| D | Nylon | V2 | Black | 521070-1 | 250 LIF | X | X |
| E | Nylon | V2 | Black | 521140-1 | 63981-1 | X | X |
| F | Nylon | V2 | Black | 521148-1 | 187 LIF/ 250 LIF | X | X |
| G | Nylon | V0 | Natural | 521785-1 | 250 LIF | X | X |
| H | Nylon | V0 | Natural | 521771-1 | 250 LIF | X | X |

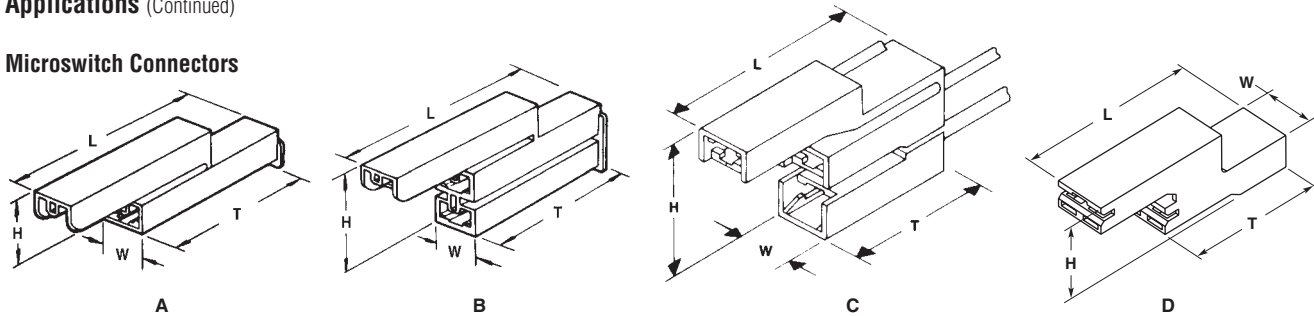
¹ Flammability rating of plastic material.

Note: All part numbers are RoHS compliant.

FASTON Housings (Continued)

Housings for Special Applications (Continued)

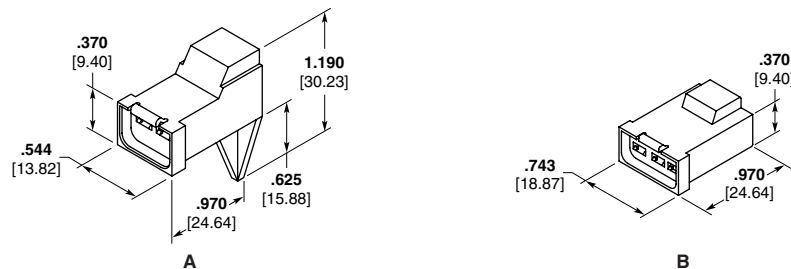
Microswitch Connectors



| Style | Type | Material | UL 94 ¹ | Color | Insulation Dia. Max. | Dimensions | | | | Part Number | Accepts Terminal | UL | SP® |
|-------|-------------|----------|--------------------|---------|----------------------|----------------|----------------|--------------|---------------|-----------------------|--|----|-----|
| | | | | | | L | T | W | H | | | | |
| A | Loose Piece | Nylon | V2 | Natural | .157 4.00 | 1.720 43.70 | 1.035 26.30 | .307 7.80 | .520 13.20 | 174712-1 | 187 Series MK II Positive Lock Receptacles 170324, 170325, 170326 | X | X |
| | | | V0 | Natural | .157 4.00 | 1.720 43.70 | 1.035 26.30 | .307 7.80 | .520 13.20 | 1-174712-1 | | | |
| B | Loose Piece | Nylon | V2 | Natural | .157 4.00 | 1.720 43.70 | 1.035 26.30 | .307 7.80 | .770 19.50 | 172075-1 | 187 Series MK II Positive Lock Receptacles 170324, 170325, 170326 | X | X |
| | | | V0 | Natural | .157 4.00 | 1.720 43.70 | 1.035 26.30 | .307 7.80 | .770 19.50 | 1-172075-1 | | | |
| C | Loose Piece | Nylon | V2 | Natural | .170 4.32 | 1.655 42.04 | .845 21.46 | .317 8.05 | .875 22.23 | 520212-1 | 187 Series FASTON Receptacles 42373, 42374, 42452, 42453, 42617, 60487, 60573, 62137, 62187 | X | X |
| | | | V0 | Natural | | | | | | 520212-2 | | | |
| | | | V2 | Natural | 520212-3 | | | | | | | | |
| | | | V0 | Natural | 360010-1 | | | | | | | | |
| D | Loose Piece | Nylon | V2 | Natural | .170 4.32 | 1.405 35.69 | .845 21.46 | .317 8.05 | .875 22.23 | 360010-5 ² | 250 Series MK III Positive Lock Receptacles 63993, 63854, 1217092 | X | X |
| | | | V0 | Natural | .195 4.95 | 1.500 38.10 | .981 24.92 | .370 9.40 | .536 13.61 | 360010-2 | | | |

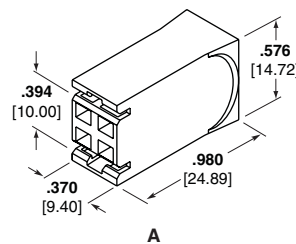
¹ Flammability rating of plastic material.
² Material according to IEC 60335-1.

Gas Valve Connectors



| Style | Material | UL 94 | Color | Part Number | Accepts Terminal | UL | SP® |
|-------|----------|-------|---------|-------------|------------------|----|-----|
| A | Nylon | V2 | Natural | 521306-1 | 1217345-1 | X | X |
| B | Nylon | V2 | Natural | 521307-1 | 1217345-1 | X | X |

Wax Motor Connector



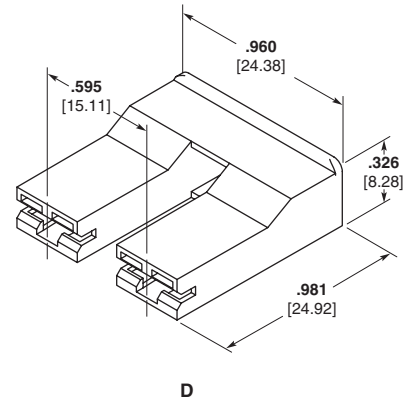
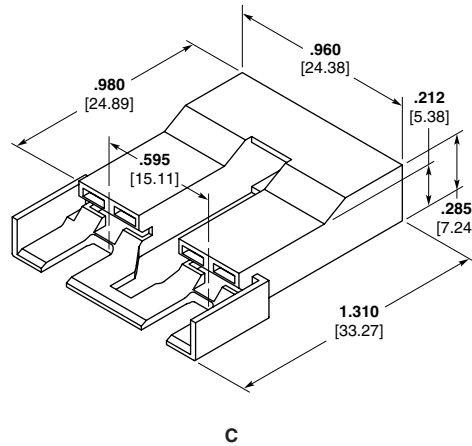
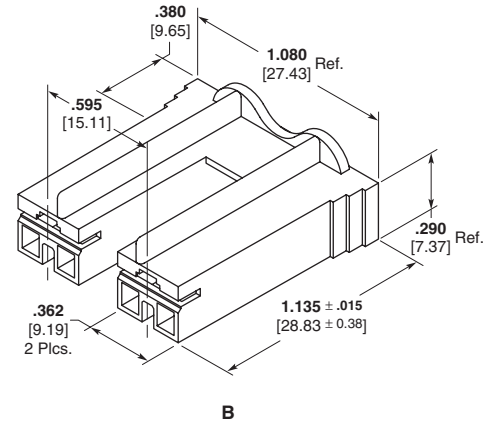
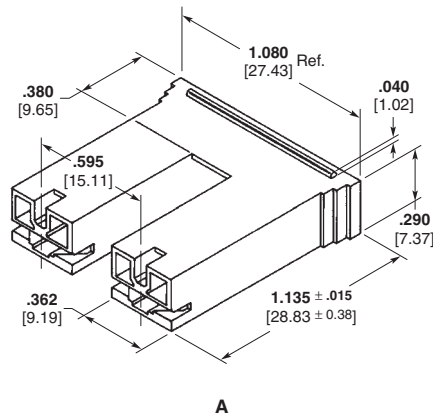
| Style | Material | UL 94 | Color | Part Number | Accepts Terminal | UL | SP® |
|-------|----------|-------|---------|-------------|--|----|-----|
| A | Nylon | V0 | Natural | 521766-1 | 250 Series FASTON and Positive Lock Mark III Terminals. Examples include 63306 and 63854. | X | X |

Note: All part numbers are RoHS compliant.

FASTON Housings (Continued)

250 Series Water Valve Coil Connector

This connector is designed to mate with the appliance industry's standard water valve coil. The connector is suitable for such applications as washing machine mixing valves, dishwasher fill valves, and refrigerators with automatic ice makers. The housing has a unique internal cavity design to accommodate either two Positive Lock or two budget and LIF FASTON receptacles.



Product Facts

- Helps prevent terminal back-out of housing through plastic retention feature
- Higher disengagement forces possible with Positive Lock or Low Insertion Force (LIF) FASTON receptacles (hole required in mating tab)
- Recognized under the Component Program of Underwriters Laboratories, Inc., File Nos. E28476 and E13288.



| Style | Material | UL 94 ² | Color ⁴ | Part Number | Accepts | | |
|-------|----------|--------------------|--------------------|-----------------------|---|---|---|
| A | Nylon | V2 | Natural | 520935-1 | 250 Series FASTON and Positive Lock Mark II Terminals. Examples Include 42400, 42510, 63306, 63097 ¹ , 63119 ¹ , 63239 ¹ , and 170328 ¹ | X | X |
| | | | Red | 520935-2 | | | |
| | | | Black | 520935-3 ³ | | | |
| | | | Green | 520935-4 | | | |
| | | | Blue | 520935-5 | | | |
| | | | Yellow | 520935-6 | | | |
| | | | Brown | 520935-7 | | | |
| B | Nylon | V0 | Natural | 521229-1 | X | — | |
| | | | Red | 521229-2 | | | |
| C | Nylon | V2 | Natural | 521253-1 | 250 Series FASTON and Positive Lock Mark III Terminals. Examples Include 63306 and 63854 | X | X |
| | | | Red | 521253-2 | | | |
| | | V0 | Red | 1-521253-2 | | | |
| | | | Green | 1-521253-3 | | | |
| D | Nylon | V2 | Blue | 1-521253-7 | X | X | |
| | | | Natural | 521119-1 | | | |
| | | | Putty | 521119-2 | | | |
| | | | Blue | 521119-4 | | | |

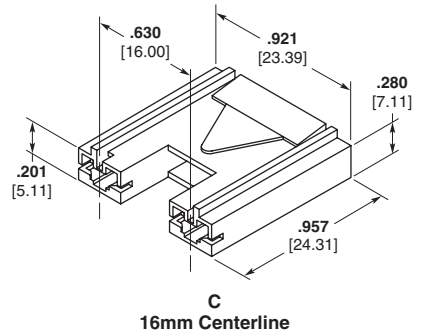
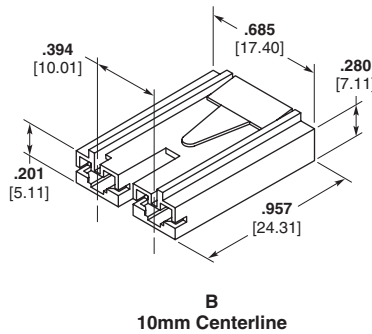
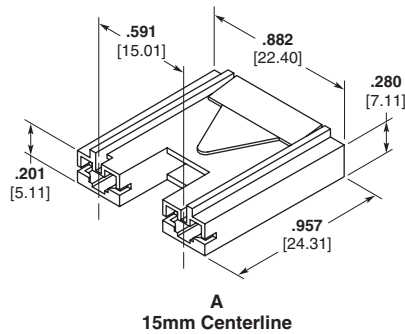
¹ For Positive Lock mark II receptacles, refer to pages 78-83.
² Flammability rating of plastic material.
³ Weather resistant material.
⁴ Additional colors available.

Note: All part numbers are RoHS compliant.

FASTON Housings

FASTON Housings (Continued)

187 Series Connector



| Style | Material | UL 94 | Color | Part Number | Accepts Terminals |
|-------|----------|-------|---------|-------------|---------------------------|
| A | Nylon | V0 | Natural | 176498-1 | 170324, 170325, 170326 |
| | | | Black | 176498-2 | |
| | | | Yellow | 176498-4 | |
| | | | Blue | 176498-6 | |
| B | Nylon | V0 | Natural | 179720-1 | 170324, 170325, 170326 |
| | | | Black | 179720-2 | |
| | | | Yellow | 179720-4 | |
| | | | Blue | 179720-6 | |
| | | | Red | 179720-7 | |
| C | Nylon | V0 | Natural | 353148-1 | 170324, 170325, 170326 |
| | | | Yellow | 353148-4 | |
| | | | Green | 353148-5 | |
| | | | Blue | 353148-6 | |

Note: All part numbers are RoHS compliant.

FASTIN-FASTON Product Line

Product Facts

- Used for single and multiple connections
- Receptacles and tabs available for 6.3, 4.8 and 2.8 mm size (.250 – .187 and .110 Series)
- Receptacles mate with 0.5 and 0.8 thick tabs
- IEC 60335-1, Glow Wire 750° No Flame housings available
- RoHS Compliant

Material and Finish

Contacts — Brass, and phosphor bronze base material. Tin and nickel plated products available

Housings — Polyamide UL 94 V2 and UL 94 V0

Technical Documents

Application Specifications

114-2025 FASTIN-FASTON Product Line



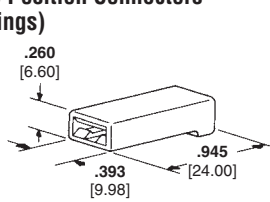
TE FASTIN-FASTON connectors offer the advantage of the FASTON receptacles technology in multiple applications. In wiring harnesses, they are mainly used as multiposition and coupling connectors. Up to 8 position connectors can be mated in one operation with a maximum of 20 leads terminated.

Locking Contacts

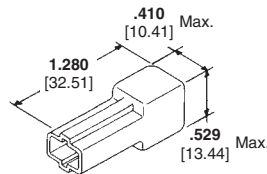
Receptacles and tabs in this version comply fully with the FASTON receptacles product technology. The only difference is the addition of a locking lance, which helps ensure firm retention of contacts when snapped into housings. Wiring harnesses prefabricated with male or female connectors can be easily connected to mating counterparts, even if manufacturing occurred at a different site. Any application of this technology leads to essential time savings in final assembly.

FASTIN-FASTON Product Line (Continued)

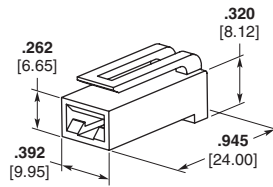
250 Series (6.3 mm)
Single Position Connectors
(Housings)



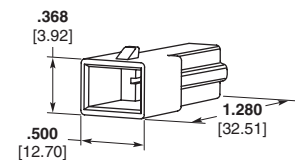
A — Receptacle Housing



B — Tab Housing



C — Receptacle Housing

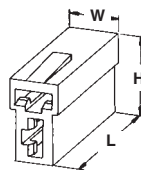


D — Tab Housing

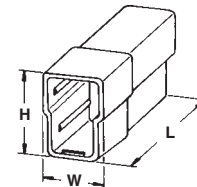
| Style | Material | Color | UL 94 | Note | Part Number | UL | SP |
|-------|----------|---------|-------|------|-------------|----|----|
| A | Nylon | Natural | V2 | — | 480054-3 | X | X |
| | | Black | V2 | — | 480054-4 | X | X |
| | | Red | V2 | — | 480054-5 | X | X |
| B | Nylon | Natural | V0 | — | 521290-1 | X | X |
| | | Natural | V2 | — | 480053-3 | X | X |
| | | Black | V2 | — | 480053-4 | X | X |
| C | Nylon | Red | V2 | — | 480053-5 | X | X |
| | | Natural | V0 | — | 521289-1 | X | X |
| C | Nylon | Natural | V2 | — | 521743-1 | X | X |
| D | Nylon | Natural | V2 | — | 521744-1 | X | X |

¹ Flammability rating.

250 Series (6.3 mm)
2 Position Connectors



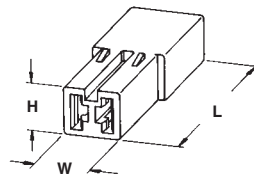
D — Receptacle Housing



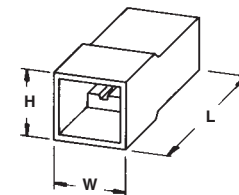
E — Tab Housing

| Style | Material | Color | UL 94 | Note | Dimensions (mm) | | | Part Number | UL | SP |
|-------|----------|---------|-------|-------------------|-----------------|-------|------|-------------|----|----|
| | | | | | W | L | H | | | |
| D | Nylon | Natural | V2 | — | .402 | .902 | .654 | 180907-0 | — | — |
| | | Black | V2 | — | 10.2 | 22.9 | 16.6 | 180907-5 | — | — |
| | | Natural | V0 | GWT 750° No Flame | — | — | — | 1-180907-0 | — | — |
| E | Nylon | Natural | V2 | — | .500 | 1.224 | .791 | 180908-0 | — | — |
| | | Black | V2 | — | 12.7 | 31.1 | 20.1 | 180908-5 | — | — |
| | | Natural | V0 | GWT 750° No Flame | — | — | — | 880310-8 | — | — |

250 Series (6.3 mm)
2 Position Connectors



F — Receptacle Housing



G — Tab Housing

| Style | Material | Color | UL 94 | Note | Dimensions (mm) | | | Part Number | UL | SP |
|-------|----------|---------|-------|------|-----------------|-------|------|-------------|----|----|
| | | | | | W | L | H | | | |
| F | Nylon | Natural | V2 | — | .492 | .902 | .394 | 180923-0 | X | — |
| | | Black | V2 | — | 12.50 | 22.9 | 10.0 | 180923-5 | X | — |
| | | Natural | V0 | — | — | — | — | 4-180923-0 | X | — |
| G | Nylon | Natural | V2 | — | .598 | 1.240 | .520 | 180924-0 | X | — |
| | | Black | V2 | — | 15.2 | 31.5 | 13.2 | 180924-5 | X | — |
| | | Natural | V0 | — | — | — | — | 4-180924-0 | X | — |

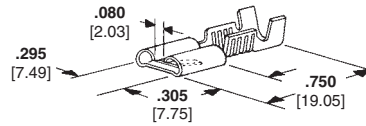
Note: All part numbers are RoHS compliant.

FASTIN-FASTON Product Line (Continued)

250 Series

Receptacles with Mating Dimple
(For use with single circuit connectors)

Fits Tab — .032 [0.81]
Stock Thickness — .016 [0.41]



| Wire Range AWG | Insulation Diameter | Material and Finish | Terminal Part Number | UL | CS | Quick-Change Applicator No. ² |
|-----------------|---|---------------------|----------------------|----|----|--|
| 18-14 | .100-.170 2.54-4.32 | Brass | 42281-1 | X | X | 687940-2 |
| | | Tin Plated Brass | 42281-2 | X | X | 687940-2 |
| | | Brass | 60634-1 ¹ | X | X | 687940-2 |
| 16-12 (2) 16 | .160-.210 4.06-5.33 (2) .130 Max. 3.30 | Brass | 60249-1 | X | X | 466057-2 |
| | | Tin Plated Brass | 60249-2 | X | X | 466057-2 |
| 11-10 | .157-.205 3.99-5.21 | Brass | 160914-1 | — | — | — |
| | | Tin Plated Brass | 160914-2 | — | — | — |

¹ No front slot.

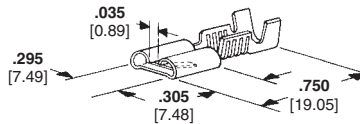
² Quick-change applicator for AMP-O-LECTRIC machine 565435-5.
For AMPOMATOR machine and other machines not listed, contact TE.

FASTIN-FASTON Product Line

250 Series

Receptacles without Mating Dimple
(For use with multiple circuit connectors)

Fits Tab — .032 [0.81]
Stock Thickness — .012 [0.30]

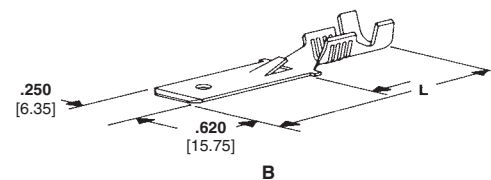
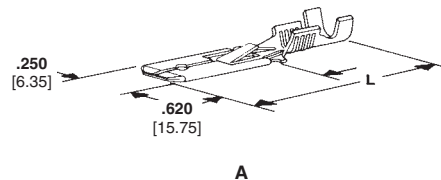


| Wire Range AWG | Insulation Diameter | Material and Finish | Terminal Part Number | UL | CS | Quick-Change Applicator No. ¹ |
|--------------------|---|----------------------|----------------------|----|----|--|
| 22-18 | .085-.125 2.16-3.18 | Tin Plated Brass | 60295-2 | X | X | 687981-2 |
| | | Tin Plated Brass | 60413-1 | X | X | 687979-3 |
| 18-14 | .100-.170 2.54-4.32 | Brass | 42100-1 | X | X | 687932-2 |
| | | Tin Plated Brass | 42100-2 | X | X | 687932-2 |
| 16-12 or (2) 16 | .160-.210 or 4.06-5.33 or (2) .130 Max. 3.30 | Tin Plated Brass | 60253-2 | X | X | 466058-2 |
| 12-10 | .134-.200 3.40-5.08 | Brass | 180351-1 | — | — | — |
| | | Pre-Tin Plated Brass | 180351-2 | — | — | — |

¹ Quick-change applicator for AMP-O-LECTRIC machine 565435-5.
For AMPOMATOR machine and other machines not listed, contact TE.

250 Series

Tabs
(For use with single or multiple circuit connectors)
Stock Thickness — .015 [0.38]



| Wire Range AWG | Style | Tab Thk. | Insulation Diameter | Dim. L | Material and Finish | Terminal Part No. | UL | CS | Quick-Change Applicator No. ² |
|----------------|-------|--------------|------------------------|----------------|---------------------|----------------------|----|----|--|
| 22-18 | A | .032 0.81 | .085-.125 2.16-3.18 | 1.105 28.07 | Brass | 62553-1 | X | X | 687982-2 |
| | | | | | Tin Plated Brass | 62553-3 | X | X | 687982-2 |
| 18-14 | A | .032 0.81 | .100-.170 2.54-4.32 | 1.105 28.07 | Brass | 42460-1 | X | X | 687839-2 |
| | | | | | Tin Plated Brass | 42460-2 | X | X | 687839-2 |
| 14-10 | A | .032 0.81 | .120-.145 3.05-3.68 | 1.100 27.94 | Tin Plated Brass | 42580-2 ¹ | X | X | 687839-2 |
| | | | | | Tin Plated Brass | 60701-1 ³ | X | X | 466092-2 |

¹ Used for back-to-back with a combined thickness of .032 [0.81].

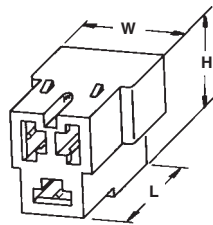
² Quick-change applicator for AMP-O-LECTRIC machine 565435-5.
For AMPOMATOR machine and other machines not listed, contact TE.

³ 9600 cma max.

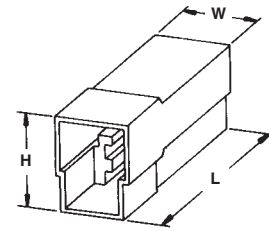
Note: All part numbers are RoHS compliant.

FASTIN-FASTON Product Line (Continued)

250 Series (6.3 mm)
3 Position Connectors



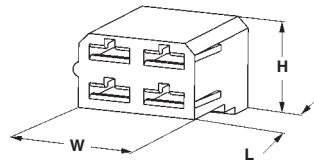
G — Receptacle Housing



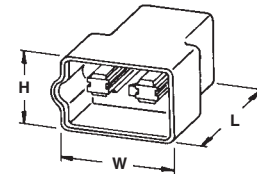
H — Tab Housing

| Style | Material | Color | UL 94 | Note | Dimensions (mm) | | | Part Number | UL | SP |
|-------|-----------|---------|-------|-------------------|-----------------|-------|------|-------------|----|----|
| | | | | | W | L | H | | | |
| G | Polyamide | Natural | V2 | — | .598 | .902 | .705 | 180941-0 | — | — |
| | | Black | V2 | — | 15.2 | 22.9 | 17.9 | 180941-5 | — | — |
| | | Natural | V2 | GWT 750° No Flame | — | — | — | 2-180941-0 | — | — |
| E | Polyamide | Natural | V2 | — | .598 | 1.252 | .783 | 180940-0 | — | — |
| | | Black | V2 | — | 15.2 | 31.8 | 19.9 | 180940-5 | — | — |
| | | Natural | V2 | GWT 750° No Flame | — | — | — | 2-180940-0 | — | — |

250 Series (6.3 mm)
4 Position Connectors



L — Receptacle Housing



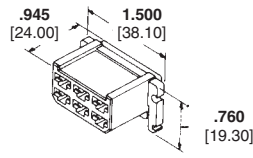
M — Tab Housing

| Style | Material | Color | UL 94 | Note | Dimensions (mm) | | | Part Number | UL | SP |
|-------|-----------|---------|-------|-------------------|-----------------|-------|------|-------------|----|----|
| | | | | | W | L | H | | | |
| L | Polyamide | Natural | V2 | — | .909 | .949 | .606 | 180900-0 | X | — |
| | | Black | V2 | — | 23.1 | 24.1 | 15.4 | 180900-5 | X | — |
| | | Natural | V0 | GWT 750° No Flame | — | — | — | 2-880110-0 | — | — |
| M | Polyamide | Natural | V2 | — | 1.031 | 1.240 | .650 | 180901-0 | X | — |
| | | Black | V2 | — | 26.2 | 31.5 | 16.5 | 180901-5 | X | — |
| | | Natural | V0 | GWT 750° No Flame | — | — | — | 2-626541-0 | — | — |

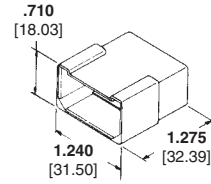
Note: All part numbers are RoHS compliant.

FASTIN-FASTON Product Line (Continued)

**250 Series
6 Circuit Connectors
(Housings)**



Receptacle Housing



Tab Housing

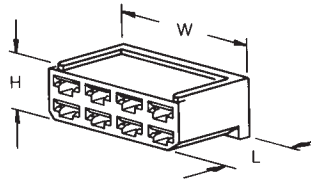
| Material | UL 94 ¹ | Color | Part Numbers | | UL | SP |
|----------|--------------------|---------|-------------------------|------------|----|----|
| | | | Receptacle | Tab | | |
| Nylon | V2 | Natural | 480003-5 | 480004-5 | X | X |
| | | Black | 1-480281-0 ² | 1-480282-0 | X | X |

¹ Flammability rating.

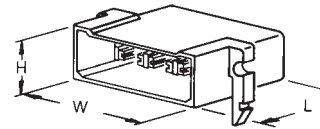
² No mounting ears.

FASTIN-FASTON Product Line

**250 Series (6.3 mm)
8 Position Connectors**



Q — Receptacle Housing



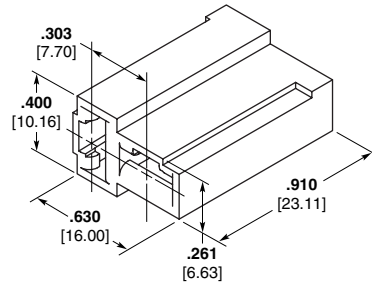
R — Tab Housing

| Style | Material | Color | UL 94 | Note | Dimensions (mm) | | | Part Number | UL | SP |
|-------|-----------|---------|-------|------|-----------------|---------------|--------------|-------------|----|----|
| | | | | | W | L | H | | | |
| Q | Polyamide | Natural | V2 | — | 1.484 37.7 | .949 24.1 | .654 16.6 | 163007-0 | — | — |
| R | Polyamide | Natural | V2 | — | 1.579 40.1 | 1.283 32.6 | .720 18.3 | 163008-0 | — | — |

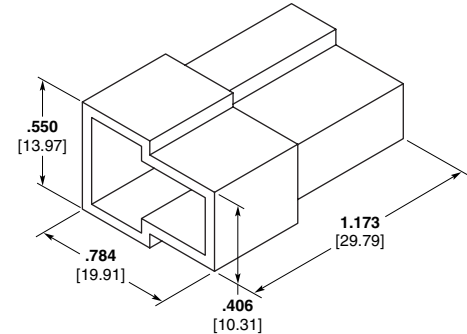
Note: All part numbers are RoHS compliant.

FASTIN-FASTON Product Line (Continued)

250 Series
2 Circuit "T" Housing



Receptacle Housing

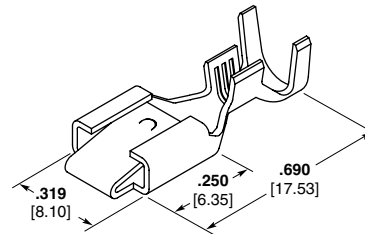


Tab Housing

| Material | UL 94 ¹ | Color | Part Numbers | | UL | CS® |
|----------|--------------------|-------|--------------|-----------------------|----|-----|
| | | | Receptacle | Tab | | |
| Nylon | V2 | Black | 480115-3 | — | — | — |
| | | | — | 480116-3 ² | X | X |

¹ Flammability rating.
² For use only with packard style tabs.

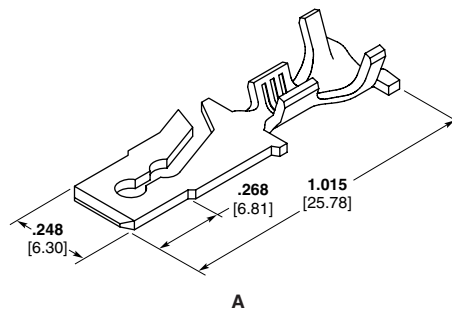
Packard Style Receptacles



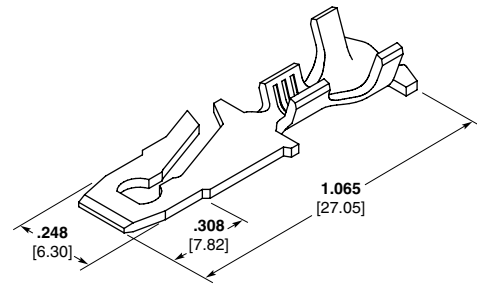
| Wire Range AWG | Insulation Diameter | Material and Finish | Terminal Part Number | UL | CS® | Applicator No. |
|-------------------|------------------------|------------------------|-------------------------|----|-----|----------------|
| 20-16 | .145 3.68 Max. | Brass | 640841-1 | — | — | 466791-2 |
| | | Brass | 640417-1 | — | — | 466704-2 |
| 18-14 | .154 3.91 Max. | Pre-Tin Plated Brass | 640417-2 | — | — | 466704-2 |
| | | Brass | 640418-1 ¹ | — | — | 466704-2 |
| | | Pre-Tin Plated Brass | 640418-2 ¹ | — | — | 466704-2 |

¹ No Dimple.

Packard Style Tabs



A



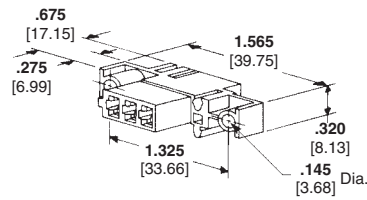
B

| Wire Range AWG | Style | Stock Thk. | Insulation Diameter | Material and Finish | Terminal Part Number | UL | CS® | Applicator No. |
|-------------------|-------|---------------|------------------------|------------------------|-------------------------|----|-----|----------------|
| 18-14 | A | .032 0.81 | .100-.142 2.54-3.61 | Brass | 640416-1 | — | — | 466707-4 |
| | | .032 0.81 | .110-.142 2.79-3.61 | Tin Plated Brass | 640416-2 | — | — | 466707-4 |
| 16-14 | B | .032 0.81 | .090-.130 2.29-3.30 | Tin Plated Brass | 60794-2 | — | — | 687888-6 |
| 14-12 | A | .032 0.81 | .140-.175 3.56-4.45 | Tin Plated Brass | 1217148-1 | — | — | 680808-2 |

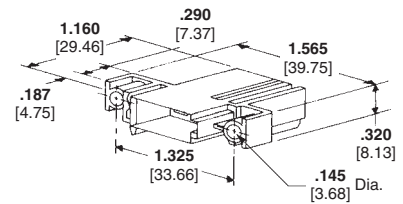
Note: All part numbers are RoHS compliant.

FASTIN-FASTON Product Line (Continued)

**187 Series
Modular Connector
Housings**



Receptacle Housing



Tab Housing

| Material | UL 94 ¹ | Color | Part Numbers | | UL | SP |
|----------|--------------------|---------|--------------|------------|----|----|
| | | | Receptacle | Tab | | |
| Nylon | V2 | Natural | 1-480252-0 | 1-480251-0 | X | X |

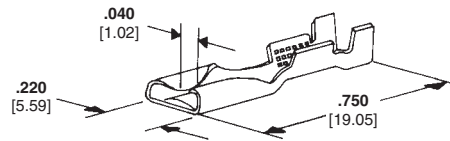
¹ Flammability rating.

² Special mounting mates with all receptacle housings listed above.

FASTIN-FASTON Product Line

**187 Series
Modular Connector
Receptacles**

Fits Tab — .016 [0.41]
Insulation Diameter —
.090-.130 [2.29-3.30] or
(2) .110 [2.79] Max.



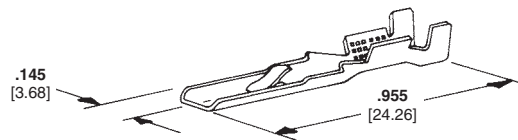
| Wire Range AWG | Stock Thickness | Material and Finish | Terminal Part No. | UL | SP | Quick-Change Applicator No. ¹ |
|--------------------|--------------------|------------------------|----------------------|----|----|---|
| 20-16 or (2) 20 | .012 0.30 | Pre-Tin Brass | 60435-1 | X | X | 687993-2 |

¹ Quick-change applicator for AMP-O-LECTRIC machine 565435-5.

For AMPOMATOR machine and other machines not listed, contact TE.

**187 Series
Modular Connector Tabs**

Tab Thickness — .016 [0.41]
Insulation Diameter —
.090-.130 [2.29-3.30]
or (2) .110 [2.79] Max.



| Wire Range AWG | Stock Thickness | Material and Finish | Terminal Part No. | UL | SP | Quick-Change Applicator No. ¹ |
|--------------------|--------------------|------------------------|----------------------|----|----|---|
| 20-16 or (2) 20 | .016 0.41 | Pre-Tin Brass | 60434-1 | X | X | 687995-2 |

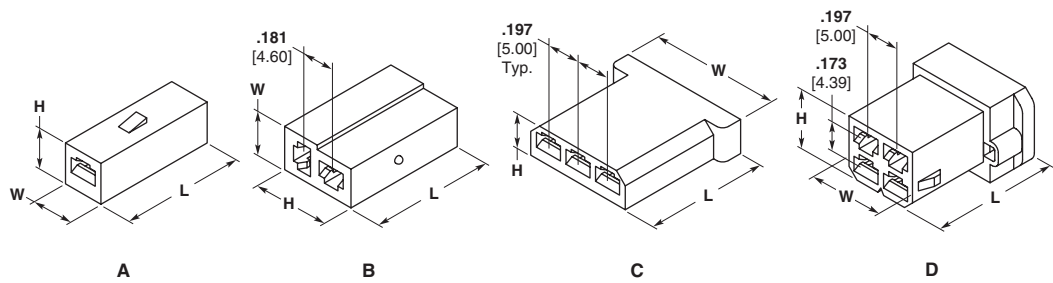
¹ Quick-change applicator for AMP-O-LECTRIC machine 565435-5.

For AMPOMATOR machine and other machines not listed, contact TE.

Note: All part numbers are RoHS compliant.

FASTIN-FASTON Product Line (Continued)

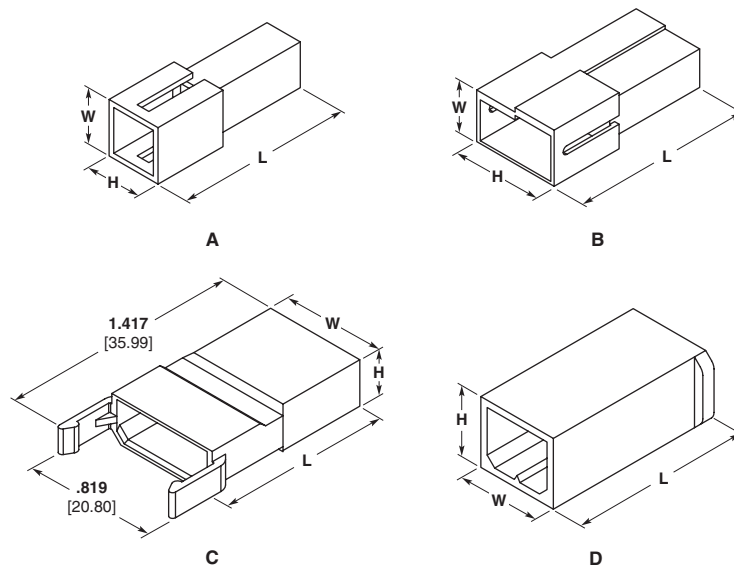
110 Series
Receptacle Housings



| Type | Number of Positions | Material | Color | Dimensions | | | Part Number | UL | SP |
|------|---------------------|----------|---------|---------------|---------------|---------------|-----------------------|----|----|
| | | | | W | H | L | | | |
| A | 1 | Nylon | Natural | .236 5.99 | .236 5.99 | .710 18.01 | 626062-0 | — | — |
| B | 2 | Nylon | Natural | .248 6.30 | .442 11.23 | .710 18.01 | 626064-0 | — | — |
| | 2 | Nylon | Natural | .551 14.00 | .200 5.00 | .710 18.03 | 925014-0 ¹ | — | — |
| C | 3 | Nylon | Natural | .748 19.00 | .200 5.00 | .710 18.03 | 925015-0 | — | — |
| | 4 | Nylon | Natural | .945 24.00 | .200 5.00 | .710 18.03 | 925016-0 ¹ | — | — |
| D | 4 | Nylon | Natural | .423 10.74 | .344 8.74 | .708 17.98 | 626056-0 | — | — |

¹ Not shown.

110 Series
Tab Housings

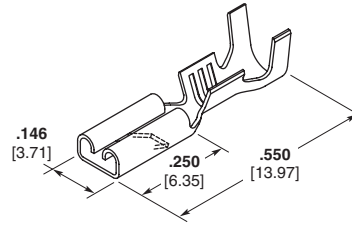


| Type | Number of Positions | Material | Color | Dimensions | | | Part Number | UL | SP |
|------|---------------------|----------|---------|---------------|---------------|---------------|-------------|----|----|
| | | | | W | H | L | | | |
| A | 1 | Nylon | Natural | .327 8.31 | .327 8.31 | 1.00 25.43 | 626063-0 | — | — |
| B | 2 | Nylon | Natural | .264 6.71 | .516 13.11 | 1.00 25.43 | 626065-0 | — | — |
| C | 3 | Nylon | Natural | .629 15.98 | .284 7.21 | 1.08 27.48 | 925475-1 | — | — |
| | 3 | Nylon | Black | .629 15.98 | .284 7.21 | 1.08 27.48 | 925475-2 | — | — |
| D | 4 | Nylon | Natural | .512 13.00 | .433 11.00 | 1.08 27.33 | 626057-0 | — | — |

Note: All part numbers are RoHS compliant.

FASTIN-FASTON Product Line (Continued)

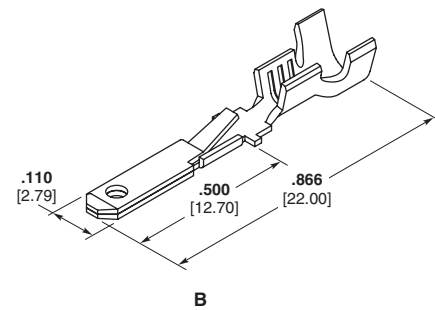
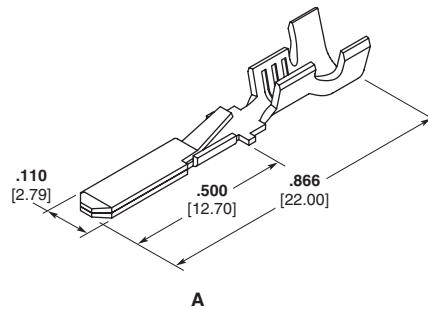
**110 Series
Receptacles**



| Wire Range AWG | Tab Fit | Insulation Diameter | Material and Finish | Terminal Part No. | | |
|-------------------|--------------|------------------------|------------------------|----------------------|---|---|
| 24-20 | .032 0.81 | .050-.080 1.27-2.03 | Pre-Tin Brass | 1217281-2 | — | — |
| 22-18 | .020 0.51 | .080-.120 2.03-3.05 | Pre-Tin Brass | 63241-3 | — | — |
| 20-16 | .032 0.81 | .080-.120 2.03-3.05 | Pre-Tin Brass | 62572-6 | — | — |
| 18-14 | .032 0.81 | .060-.110 1.52-2.79 | Pre-Tin Brass | 1217321-2 | — | — |

FASTIN-FASTON Product Line

**110 Series
Tabs**



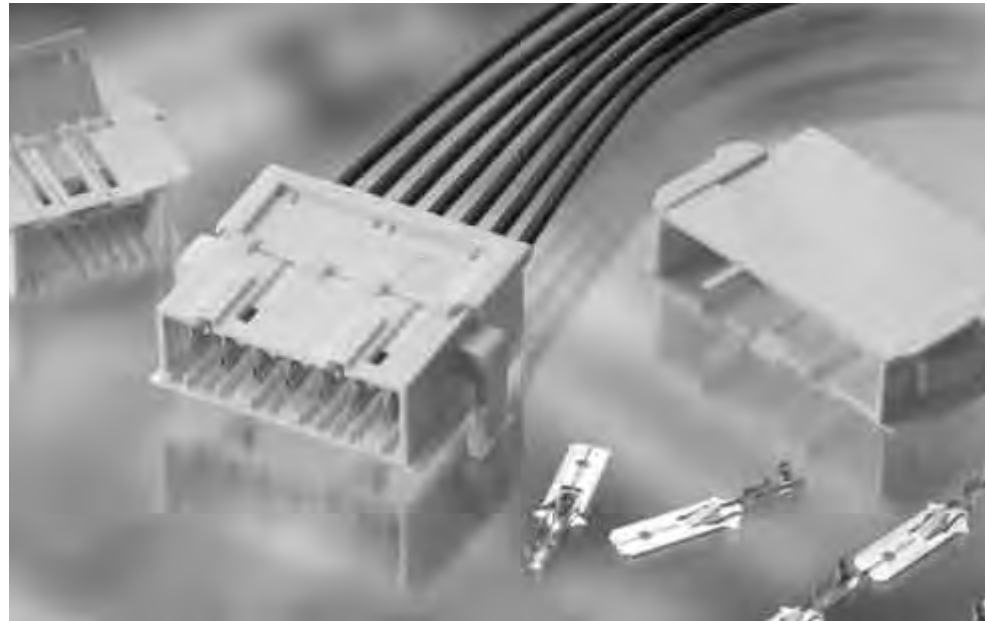
| Wire Range AWG | Style | Tab Thk. | Insulation Diameter | Material and Finish | Terminal Part No. | | |
|-------------------|-------|--------------|------------------------|------------------------|----------------------|---|---|
| 20-16 | A | .032 0.81 | .090-.120 2.30-3.05 | Tin Plated Brass | 160743-4 | X | X |
| | B | .032 0.81 | .090-.120 2.30-3.05 | Tin Plated Brass | 160762-4 | — | — |

Note: All part numbers are RoHS compliant.

FASTIN-FASTON Product Line — Tab Housings RAST 5

Product Facts

- Meets IEC 60335-1, Glow Wire 750° No Flame
- Accepts TE FASTIN-FASTON tabs 6.3 x 0.8 mm size
- Mating TE connector families include AMP MONO-SHAPE, AMP multifitting, AMP standard timer and Positive Lock RAST 5 connector system
- Available in different keying and locking versions, from 2 to 10 positions
- Available for panel and motor mounting
- Provided with secondary locking
- RoHS compliant



Technical Documents

Product Specifications

108-20256 Panel Mount Housings
108-20247 Panel Mount Housings

The RAST 5 Standard defines and standardizes the connector mating interface. FASTIN-FASTON product line 6.3 mm size tabs are placed into 5 mm centerline cavities and the housings are provided with keying, polarization, and locking features that help prevent mismatching of the corresponding RAST 5 interfaces.

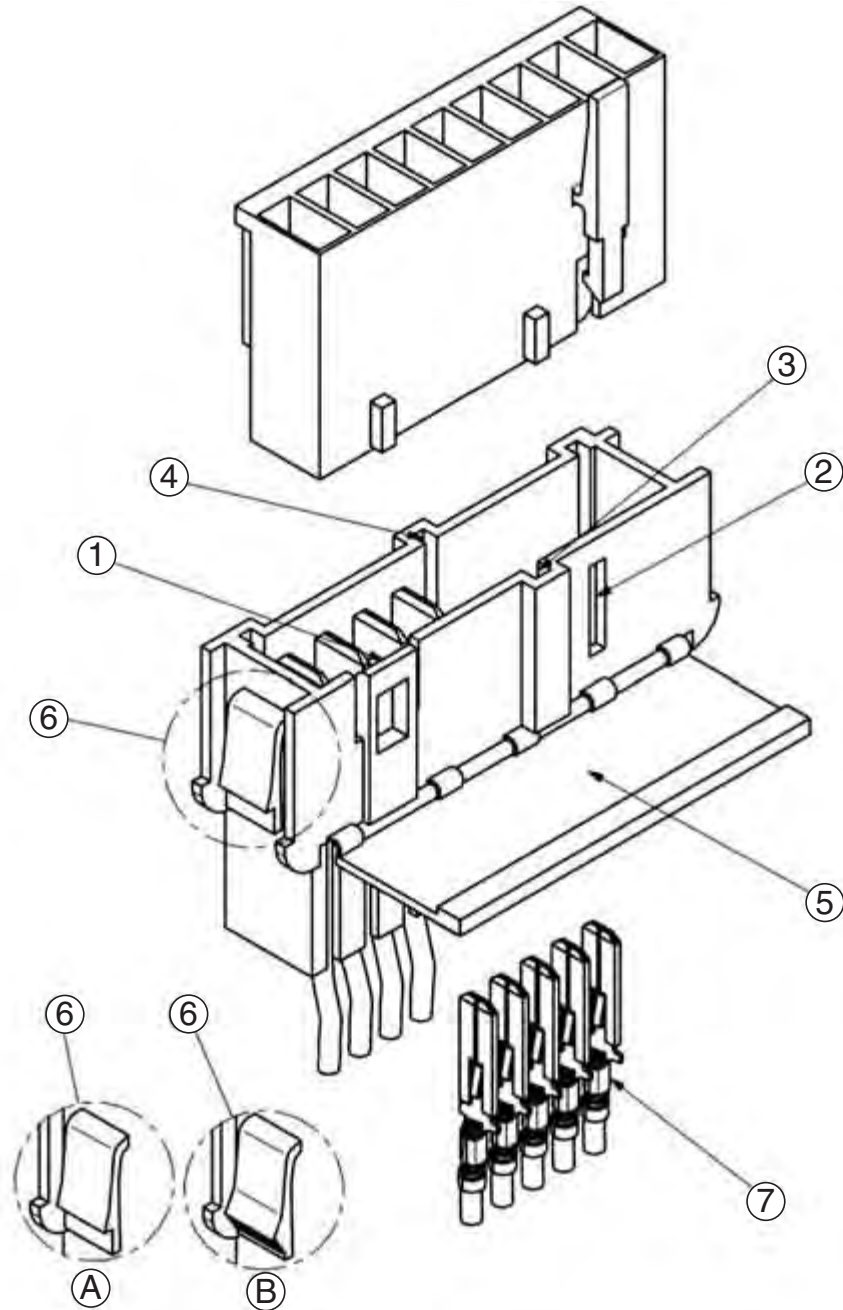
The FASTIN-FASTON RAST 5 system is designed to accept the most common TE RAST 5 connector families including AMP MONO-SHAPE, AMP multifitting, AMP standard timer and Positive Lock RAST 5 connector system. The Positive Lock RAST 5 connector system requires the use of a FASTIN-FASTON tab with a special detent hole location to engage the positive locking feature.

The most common application for this product is for household appliance components (motors for washing machines, dishwashers, dryers, refrigerators...) where OEM's want to minimize the possibility of crossed wires.

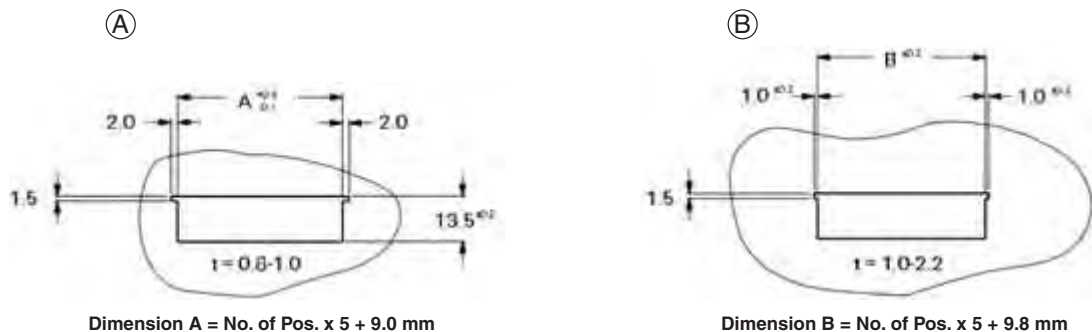
FASTIN-FASTON Product Line — Tab Housings RAST 5 (Continued)

Technical Features

- ① Locking tongue locks with the keying rib of the counter part (see table)
- ② Locking window locks with locking latches of the counter part (see table)
- ③ Keying groove
- ④ Polarization groove
- ⑤ Cover (secondary locking)
- ⑥ Panel locking
 - Ⓐ For panel thickness from 0.8 up to 1.0 mm
 - Ⓑ For panel thickness from 1.0 up to 2.2 mm
- ⑦ Tabs 6.3 x 0.8 mm (see table)



Panel Cut-Outs

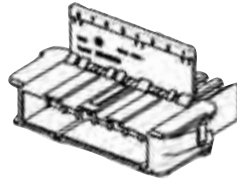


FASTIN-FASTON Product Line

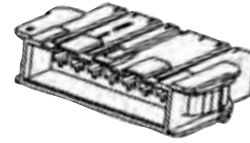
FASTIN-FASTON Product Line — Tab Housings RAST 5 (Continued)

Panel Mount Housings

Material — Polyamide
Color — Natural



C — with Secondary Locking



D — without Secondary Locking

| Positions | RAST 5 Polarizations | Panel Cut-Out | Style | UL 94 | Note | Part Number | |
|-----------|----------------------|---------------|-------|-------|-------------------|-------------|------------|
| 2 | | A | C | V2 | GWT 750° No Flame | 9-927742-2 | |
| | | | | — | — | 927742-2 | |
| | | | V0 | — | 5-927742-2 | | |
| | | B | C | V2 | — | — | 5-293035-2 |
| | | | | | V2 | — | 964492-2 |
| | | | V0 | — | 5-964492-2 | | |
| 3 | | A | C | V2 | GWT 750° No Flame | 293008-1 | |
| | | | | — | — | 928230-3 | |
| | | A | C | V2 | GWT 750° No Flame | 9-927742-3 | |
| | | | | V0 | — | 927742-3 | |
| 4 | | A | C | V2 | GWT 750° No Flame | 293009-1 | |
| | | | | — | — | 293009-2 | |
| | | A | C | V2 | GWT 750° No Flame | 9-927742-4 | |
| | | | | — | — | 927742-4 | |
| | | | | V2 | GWT 750° No Flame | 293011-1 | |
| | | | | — | — | 927742-5 | |
| 5 | | B | C | V2 | GWT 750° No Flame | 5-964492-5 | |
| | | | | — | — | 964492-5 | |
| | | A | C | V2 | GWT 750° No Flame | 293010-1 | |
| | | | | — | — | 293010-2 | |
| | | | | — | — | 1241857-5 | |
| | | | | — | — | 293161-1 | |

FASTIN-FASTON Product Line

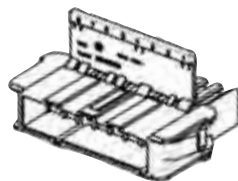
FASTIN-FASTON Product Line — Tab Housings RAST 5 (Continued)

Panel Mount Housings

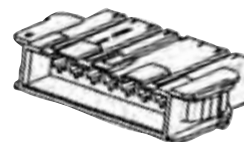
(Continued)

Material — Polyamide

Color — Natural



C — with Secondary Locking



D — without Secondary Locking

| Positions | RAST 5 Polarizations | Panel Cut-Out | Style | UL 94 | Note | Part Number | | | | | | | | | | | | | |
|-----------|----------------------|---------------|-------|-----------|-------------------|-------------|-------------------|-------------|----|-------------------|----------|----|-------------------|----------|----------|----|-------------------|-------------------|----------|
| 6 | | A | C | V2 | — | 927742-6 | | | | | | | | | | | | | |
| | | | | V0 | — | 5-927742-6 | | | | | | | | | | | | | |
| | | B | D | V2 | GWT 750° No Flame | 5-1241967-6 | | | | | | | | | | | | | |
| 7 | | A | C | V2 | GWT 750° No Flame | 293034-1 | | | | | | | | | | | | | |
| | | | | | | | A | C | V2 | GWT 750° No Flame | 293044-1 | | | | | | | | |
| | | | | | | | | | | | A | C | V2 | — | 927742-7 | | | | |
| | | | | | | | | | | | | | | | A | C | V2 | GWT 750° No Flame | 284985-1 |
| | | | | | | | | | | | | | | | | | | | 928309-7 |
| 8 | | A | C | V2 | GWT 750° No Flame | 284986-1 | | | | | | | | | | | | | |
| | | | | | | A | C | V2 | — | 928309-8 | | | | | | | | | |
| | | | | | | | | | | B | C | V2 | GWT 750° No Flame | 293043-1 | | | | | |
| | | | | | | | | | | | | | | B | D | V2 | GWT 750° No Flame | 5-1241967-8 | |
| A | D | V2 | — | 1241967-8 | | | | | | | | | | | | | | | |
| | | | | A | D | V2 | GWT 750° No Flame | 5-1241969-8 | | | | | | | | | | | |
| 1241969-8 | | | | | | | | | | | | | | | | | | | |
| 9 | | B | D | V2 | GWT 750° No Flame | 293033-1 | | | | | | | | | | | | | |
| 10 | | A | D | V2 | GWT 750° No Flame | 1-1241968-5 | | | | | | | | | | | | | |
| | | | | | | — | 1-1241968-0 | | | | | | | | | | | | |

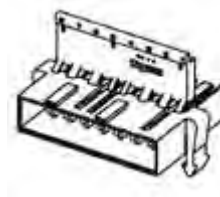
FASTIN-FASTON Product Line

FASTIN-FASTON Product Line — Tab Housings RAST 5 (Continued)

Motor Mount Housings

Material — Polyamide

Color — Natural



E

| Positions | RAST 5 Polarizations | Panel Cut-Out | Style | UL 94 | Note | Part Number |
|-----------|----------------------|---------------|-------|-------|-------------------|-------------|
| 7 | | — | E | V2 | GWT 750° No Flame | 293014-1 |
| | | — | E | V2 | GWT 750° No Flame | 293015-1 |
| | | — | E | V2 | GWT 750° No Flame | 1-293015-1 |
| 8 | | — | E | V2 | GWT 750° No Flame | 284861-1 |
| | | | | V0 | — | 284861-3 |

FASTIN-FASTON Product Line

FASTON Uninsulated Terminals — Loose Piece

FASTON Terminals Strip/Loose Piece Cross Reference

FASTON terminals have been designed for speed of application using selected terminating machines; however, hand tools are also available for those terminals listed.

RECEPTACLES 250 Series

| Wire Range AWG | Strip Part No. | Loose Piece Part No. | Description | Hand Tool Part No. |
|----------------|----------------|----------------------|----------------------------|---------------------|
| 22-18 | 41772 | 60878-2 | Premier Receptacle | 91514-1 |
| | 61988-2 | 62274-1 | Receptacle/Tab Combination | 91514-1 |
| 18-14 | 41274 | 41729 | Premier Receptacle | 90165-1 |
| | 41774 | 42025-1 | Hermetic Receptacle | 90165-1 |
| | 42219-1 | 60705-1 | Premier Receptacle | 90165-1 |
| | 61944-1 | 60279-1 | Piggyback Receptacle | 189508-1 |
| | 61944-2 | 60279-2 | Piggyback Receptacle | 189508-1 |
| | 42100-1 | 42238-1 | FASTIN-FASTON | 720725-1 or 91557-1 |
| | 42100-2 | 42238-2 | FASTIN-FASTON | — |
| | 42281-1 | 42282-1 | FASTIN-FASTON | 90165-1 |
| | 42281-2 | 42282-2 | FASTIN-FASTON | — |
| | 60290-2 | 60419-2 | "F" Crimp Flag | 90045 |
| 18-12 | 41532 | 41898 | Tab-Lok Flag | 47417 |
| | 42742-1 | 60102-1 | Tab-Lok Flag | 47417 |
| 16-12 | 41728 | 42021 | Premier Receptacle | 47094 |
| 14-10 | 41450 | 61227-1 | Premier Receptacle | 90120 |
| | 62049-2 | 62090-1 | Piggyback | — |
| 12-10 | 60851-1 | 60851-3 | Hermetic Flag | — |

Receptacles 187 Series

| Wire Range AWG | Strip Part No. | Loose Piece Part No. | Description | Hand Tool Part No. |
|----------------|----------------|----------------------|-------------------------|--------------------|
| 20-16 | 42452-1 | 42566-1 | Premier Receptacle | 91509-1 |
| | 42452-2 | 42566-2 | Premier Receptacle | 91509-1 |
| | 42373-2 | 42638-2 | Premier (No Insulation) | — |
| | 60435-1 | 60520-1 | FASTIN-FASTON | 90088 |
| | 62026-1 | 62228-1 | Piggyback Receptacle | — |

Receptacles 110 Series

| Wire Range AWG | Strip Part No. | Loose Piece Part No. | Description | Hand Tool Part No. |
|----------------|----------------|----------------------|----------------------------|--------------------|
| 22-18 | 42068-1 | 42470-1 | Receptacle | 91511-1 |
| | 62003-2 | 62112-2 | Receptacle/Tab Combination | — |
| | 60900-1 | 61454-1 | Tab Receptacle | — |



250 Series Tabs

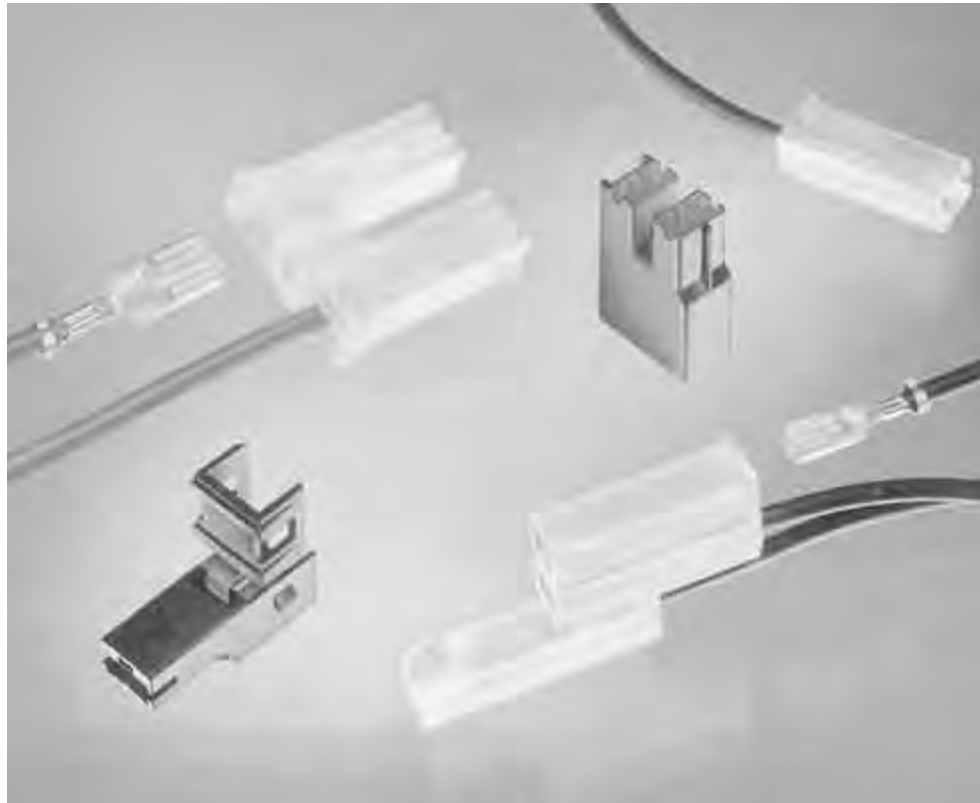
| Wire Range AWG | Strip Part No. | Loose Piece Part No. | Description | Hand Tool Part No. |
|----------------|----------------|----------------------|---------------|--------------------|
| 22-18 | 60294-1 | 61316-1 | FASTIN-FASTON | 91514-1 |
| 18-14 | 41412 | 41778 | Crimp Type | — |
| | 42460-2 | 42565-2 | FASTIN-FASTON | 90165-1 |

Note: All part numbers are RoHS compliant.

Positive Lock Receptacles

Product Facts

- Reduced insertion force
- Locks onto tabs containing holes
- Housing insulates and serves as a removal tool
- “Snap” action tells assembler receptacle is mated properly
- Terminated by automatic or semi-automatic equipment
- Single and multiple circuit housings available
- Recognized under the Component Program of Underwriters Laboratories Inc., File Nos. E66717 and E28476 
- Certified by Canadian Standards Association File No. LR7189A 



Positive Lock receptacles are specifically designed to provide ease of assembly and secure retention to mating tabs. These unique features are attainable by the reduced insertion force of the product and the locking dimple. The receptacle locks onto mating tabs containing holes and is removable only by deflecting an integrally designed depressor prior to withdrawal. The depressor can be deflected manually by thumb pressure, or automatically by a cam inside a specially designed nylon housing. If the housing is employed,

removal of the terminal from the tab is performed by simply applying withdrawal force to the housing. In addition to providing a means of disconnecting the terminal, the housing performs its traditional insulating function.

Aside from reduced insertion forces, Positive Lock receptacles give the assembler a definite mechanical “snap” when the terminal is correctly seated over the mating tab. This facilitates correct assembly in hard-to-reach areas such as under dashboards, recessed switch tabs, etc.

Safety is enhanced by the locking capability of the product. Unless the depressor is deliberately deflected, either manually or by withdrawal force applied directly to the optional housing, a terminal will not easily come off of the tab. Thus, the potential of exposed live parts or disruption of critical circuitry due to improperly seated or accidentally removed terminals is greatly reduced.

Positive Lock Receptacles (Continued)

Mark I

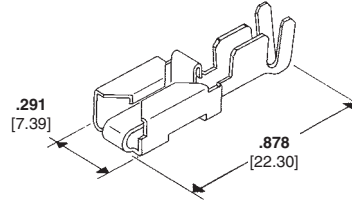
250 Series Receptacles

Stock Thickness — .016 [0.41]

Fits Tab — .032 [0.81]

Recognized under the Component Program of Underwriters Laboratories Inc.,

UL File No. E28476



| Wire Range AWG | Insulation Diameter | Material and Finish | Part Numbers | | | | |
|-------------------|------------------------|------------------------|----------------------|---|---|---|-----------|
| | | | Receptacle | | | Quick Change Applicator No. ² | Hand Tool |
| 20-16 | .090-.130 2.29-3.30 | Brass/Pre-Tin | 1-160759-1 | X | X | 567181-2 | 654174-1 |
| 18-14 | .135-.195 3.43-4.95 | Brass/Tin | 63812-1 ¹ | X | X | 680140-2 | — |
| | .095-.155 2.41-3.94 | Brass/Tin | 154718-3 | X | — | 466542-3 | 525651 |
| 14-11 | .140-.170 3.56-4.32 | Brass/Tin | 154717-3 | X | — | 466883-2 | 525651 |
| 12-10 | .135-.200 3.43-5.08 | Brass/Pre-Tin | 790319-3 | — | — | 567417-2 | — |

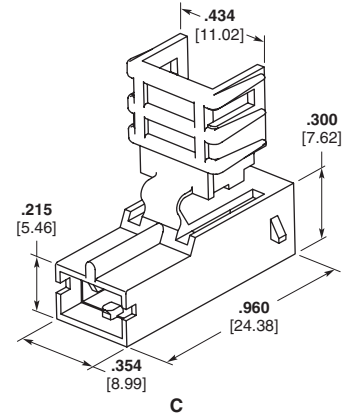
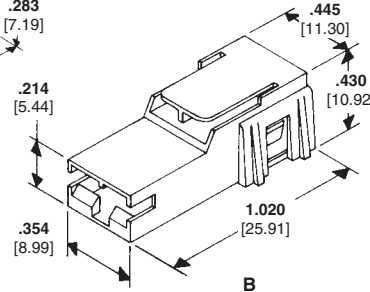
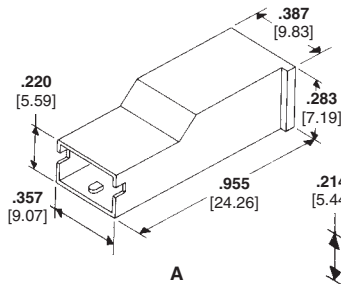
¹ "A" Style Housing only.

² Quick-Change Applicator for AMP-O-LECTRIC Machine 565435-5.
For AMPOMATOR Machine and other machines not listed, contact TE.

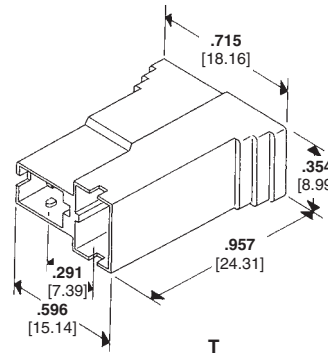
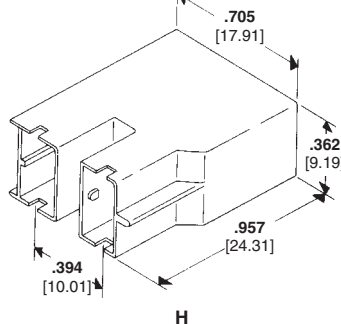
Receptacle Housings

Material — 94 V-2, 6/6 Nylon

1 Position



2 Position



| Style | Color | Part No. |
|-------|---------|-----------------------|
| A | Black | 154719-0 |
| | Natural | 154719-1 |
| B | Black | 520961-1 ¹ |
| C | Black | 520895-1 ² |
| H | Black | 926521-2 |
| T | Black | 926522-1 |
| | Natural | 926522-2 |

¹ Press-to-release with secondary lock.

² Secondary lock.

Note: All part numbers are RoHS compliant.

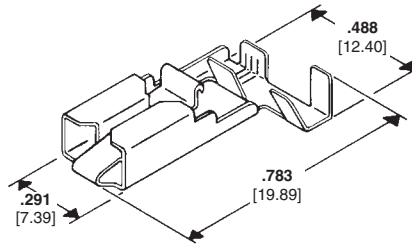
Positive Lock Receptacles (Continued)

Mark I

250 Series Flag Receptacle

Stock Thickness — .016 [0.41]

Fits Tab — .032 [0.81]

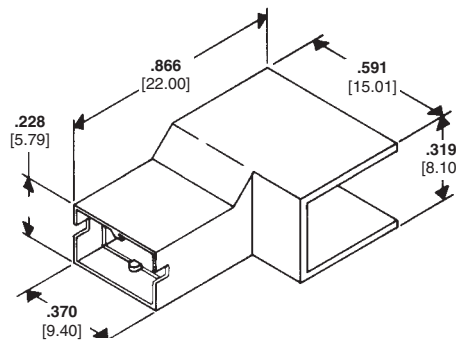


| Wire Range AWG | Insulation Diameter | Material and Finish | Part Number |
|-------------------|------------------------|------------------------|-------------|
| 20-15 | .087-.130 2.21-3.30 | Brass/Pre-Tin | 926820-4 |
| 17-13 | .130-.170 3.00-4.30 | Brass/Pre-Tin | 926790-4 |

Mark I

**250 Series
Receptacle Housings**

Material — 94 V-2, 6/6 Nylon

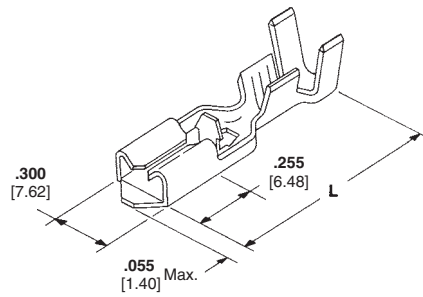


| Color | Part Number |
|-------|-------------|
| Black | 926291-1 |

Note: All part numbers are RoHS compliant.

Positive Lock Receptacles (Continued)

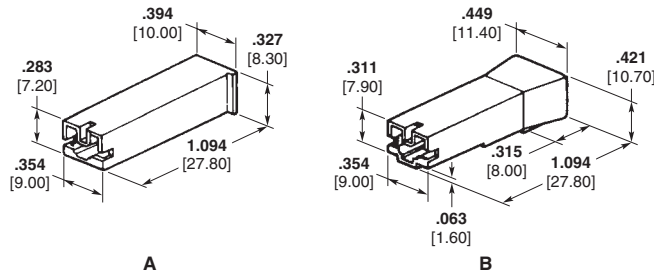
**Mark II
250 Series
Straight Receptacles**



| Wire Range AWG | Tab Thickness | Insulation Diameter | Material and Finish | Stock Thickness | L (Overall Length) | UL | SP | Terminal Part No. |
|-------------------------|------------------|--|------------------------|--------------------|-----------------------|----|----|----------------------|
| 22-18 | .032 0.81 | .059-.122 1.50-3.10 | Pre-Tin Brass | .016 0.41 | .976 24.80 | X | X | 170327-1 |
| 18-16 (2) 18, (2) 20 | .032 0.81 | .105-.210 2.67-5.33 or (2) .105 2.67 Max. | Brass | .016 0.41 | .886 22.50 | — | — | 1742354-1 |
| 18-14 | .032 0.81 | .090-.155 2.29-3.94 | Brass | .016 0.41 | .886 22.50 | X | X | 63097-2 |
| | .025 0.64 | .090-.155 2.29-3.94 | Brass, Tin Plated | .016 0.41 | .886 22.50 | X | X | 63809-1 |
| | .020 0.51 | .090-.155 2.29-3.94 | Brass, Tin Plated | .016 0.41 | .886 22.50 | X | X | 63442-1 |
| 15-10 | .032 0.81 | .090-.135 2.29-3.43 | Pre-Tin Brass | .016 0.41 | 1.015 25.80 | X | X | 170328-1 |
| | .032 0.81 | .110-.200 2.79-5.08 | Pre-Tin Brass | .016 0.41 | 1.015 25.80 | X | X | 170329-1 |
| 12-10 | .032 0.81 | .150-.200 3.81-5.08 | Brass, Tin Plated | .018 0.46 | .913 23.20 | X | X | 63239-1 |

Positive Lock Receptacles

**Mark II
250 Series
Receptacle Housings
1 Circuit**

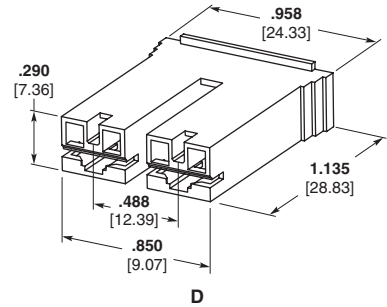
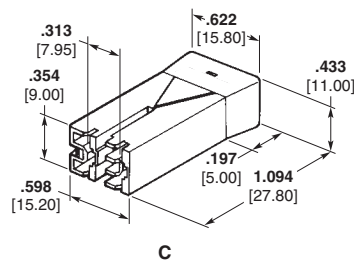
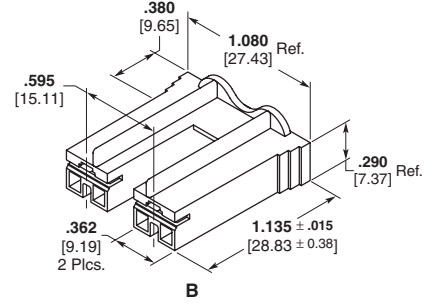
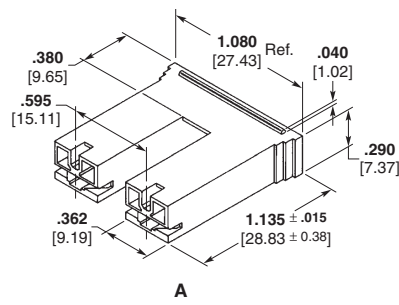


| Style | Material | UL 94 | Color | UL | SP | Part Number |
|-------|-----------|-------|---------|------------|----------|----------------|
| A | 6/6 Nylon | V2 | Natural | — | — | 172076-1 |
| | | | Black | — | — | 172076-2 |
| | | | Yellow | — | — | 172076-4 |
| | | | Green | — | — | 172076-5 |
| | | | Blue | — | — | 172076-6 |
| | | Red | — | — | 172076-7 | |
| | | V0 | Natural | — | — | 2-172076-1 |
| | | | Black | — | — | 2-172076-2 |
| | | | Yellow | — | — | 2-172076-4 |
| | | | Green | — | — | 2-172076-5 |
| Blue | — | | — | 2-172076-6 | | |
| B | 6/6 Nylon | V0 | Red | — | — | 2-172076-7 |
| | | | Natural | X | X | 177627-1 |
| | | | Yellow | X | X | 177627-4 |
| | | | Green | — | — | 177627-5 |
| | | | Blue | — | — | 177627-6 |
| | | | Red | — | — | 177627-7 |
| | | | Black | — | — | 177627-9 |

Note: All part numbers are RoHS compliant.

Positive Lock Receptacles (Continued)

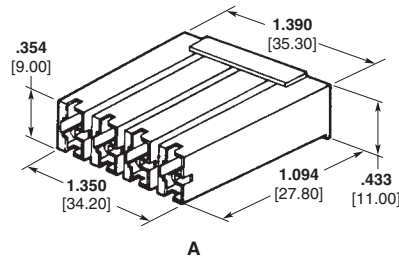
**Mark II
250 Series
Receptacle Housings
2 Circuit**



| Style | Material | UL 94 | Color | | | Part Number |
|-------|-----------|-------|---------|---|---|-------------------------|
| A | 6/6 Nylon | V2 | Natural | X | X | 520935-1 |
| | | | Red | X | X | 520935-2 |
| | | | Black | — | — | 520935-3 |
| | | | Green | — | — | 520935-4 |
| | | | Blue | — | — | 520935-5 |
| | | | Yellow | — | — | 520935-6 |
| | | | Brown | — | — | 520935-7 |
| B | 6 Nylon | V0 | Natural | — | — | 1-520935-1 |
| | | | Red | — | — | 1-520935-2 |
| | | | Blue | — | — | 1-520935-5 |
| C | 6 Nylon | V2 | Natural | — | — | 1-521229-1 ¹ |
| | | | Red | X | X | 521229-1 |
| D | 6/6 Nylon | V0 | Natural | — | — | 521229-2 |
| | | | Red | — | — | 178833-1 |
| D | 6/6 Nylon | V0 | Natural | X | X | 1969332-2 |

¹ Housing material to IEC 60695-2-11 Glow Wire temps. 650°C, 750°C, & 850°C.

**Mark II
250 Series
Receptacle Housings
4 Circuit**

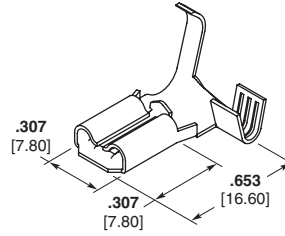


| Style | Material | UL 94 | Color | | | Part Number |
|-------|-----------|-------|---------|---|---|-------------|
| A | 6/6 Nylon | V2 | Natural | X | X | 174429-1 |

Note: All part numbers are RoHS compliant.

Positive Lock Receptacles (Continued)

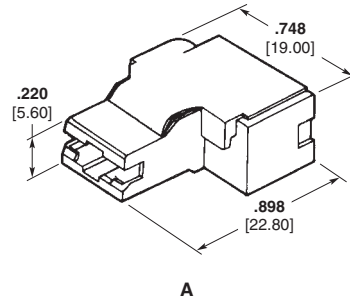
Mark II
250 Series
Flag Receptacles
Stock Thickness — .016 [0.41]
Fits Tab — .032 [0.81]



| Wire Range AWG | Insulation Diameter | Material and Finish | UL | RU | SP | Terminal Part No. |
|-------------------|------------------------|------------------------|----|----|----|----------------------|
| 22-18 | 0.59-.110 1.50-2.80 | Pre-Tin Brass | X | — | X | 172761-1 |
| 18-14 | .110-.205 2.80-5.20 | Pre-Tin Brass | X | — | X | 172763-1 |
| 12-10 | .110-.205 2.80-5.20 | Pre-Tin Brass | X | — | X | 172765-1 |

Positive Lock Receptacles

Mark II
250 Series
Flag Style Receptacle Housing
1 Circuit

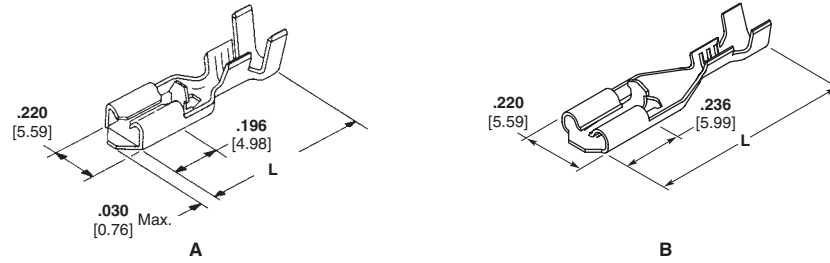


| Style | Material | UL 94 | Color | RU | SP | Part Number |
|-------|-----------|-------|---------|----|----|----------------|
| | | V2 | Natural | X | X | 172469-1 |
| A | 6/6 Nylon | V0 | Natural | — | — | 1-172469-1 |
| | | | Blue | — | — | 1-172469-2 |

Note: All part numbers are RoHS compliant.

Positive Lock Receptacles (Continued)

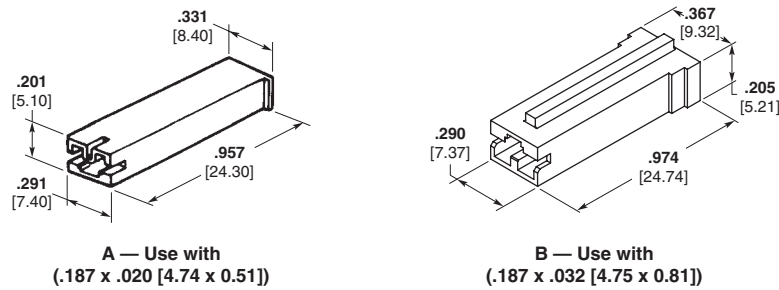
**Mark II
187 Series
Straight Receptacles**



| Wire Range AWG | Style | Tab Fit | Insulation Diameter | Material and Finish | Stock Thickness | L (Overall Length) | UL | SP | Terminal Part No. |
|-------------------|-------|--------------|--|--------------------------------|--------------------|-----------------------|----|----|----------------------|
| 24-20 | B | .020 0.51 | .060-.105 1.52-2.67 | Pre-Tin Brass | .012 0.30 | .850 21.60 | X | X | 170324-1 |
| | | .020 0.51 | .060-.105 1.52-2.67 | Phos. Bronze, Nickel Plated | .012 0.30 | .850 21.60 | X | X | 170324-2 |
| | | .020 0.51 | .060-.105 1.52-2.67 | Pre-Tin Phos. Bronze | .012 0.30 | .850 21.60 | — | — | 170324-5 |
| 20-16 | A | .020 0.51 | .060-.110 1.52-2.79 | Pre-Tin Brass | .012 0.30 | .755 19.17 | X | X | 63407-2 ¹ |
| | | .020 0.51 | .074-.134 1.87-3.40 | Pre-Tin Brass | .012 0.30 | .850 21.60 | X | X | 170325-1 |
| | B | .020 0.51 | .074-.134 1.87-3.40 | Pre-Tin Phos. Bronze | .012 0.30 | .850 21.60 | — | — | 170325-3 |
| | | .020 0.51 | .090-.130 2.29-3.30 | Brass, Pre-Tin | .012 0.30 | .755 19.17 | X | X | 63232-1 ¹ |
| | | .032 0.81 | .060-.110 1.52-2.79 | Brass, Tin Plated | .012 0.30 | .740 18.80 | X | X | 63498-1 ² |
| | | .032 0.81 | .090-.130 2.29-3.30 | Brass, Tin Plated | .012 0.30 | .755 19.17 | X | X | 63313-1 ¹ |
| 18-14 (2) 18 | B | .020 0.51 | .083-.142 2.11-3.61 (2) .216 5.49 | Brass, Pre-Tin | .012 0.30 | .850 21.60 | — | — | 170326-1 |

¹ Low profile — not for use in housing.
² For use with housing 521125.

**Mark II
187 Series
Receptacle Housings
1 Circuit**

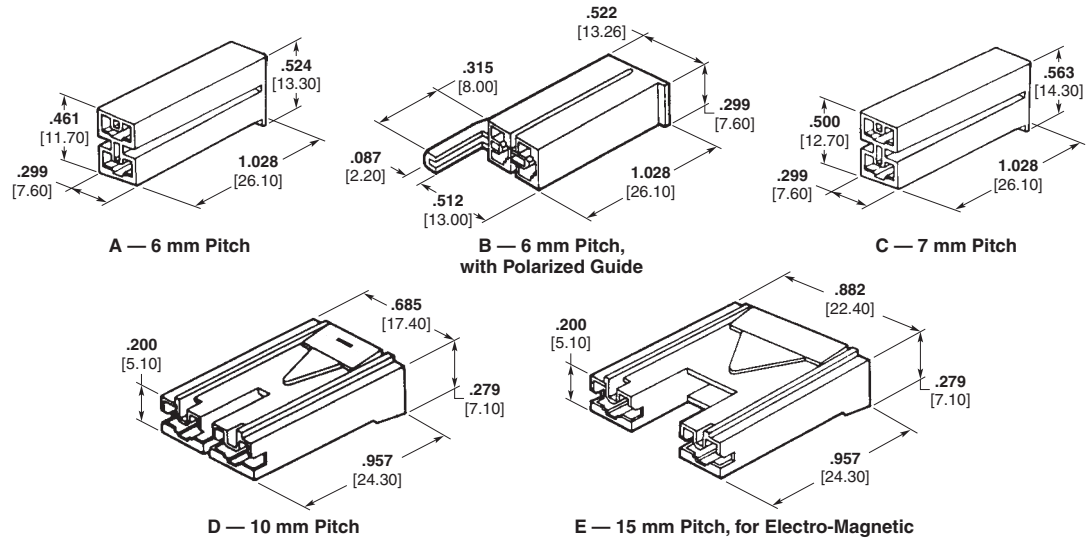


| Style | Material | UL 94 | Color | UL | SP | Part Number | | |
|-------|-----------|--------|---------|-----------|----|----------------|----------|---|
| A | 6/6 Nylon | V2 | Natural | X | X | 172074-1 | | |
| | | | Black | — | — | 172074-2 | | |
| | | | Yellow | — | — | 172074-4 | | |
| | | | Green | — | — | 172074-5 | | |
| | | | Blue | — | — | 172074-6 | | |
| | | | Red | — | — | 172074-7 | | |
| | | | V0 | Natural | X | X | 173974-1 | |
| | | Black | | — | — | 173974-2 | | |
| | | Yellow | | — | — | 173974-4 | | |
| | | Green | | — | — | 173974-5 | | |
| | | Blue | | — | — | 173974-6 | | |
| | | Red | | — | — | 173974-7 | | |
| | | B | | 6/6 Nylon | V2 | Natural | — | — |

Note: All part numbers are RoHS compliant.

Positive Lock Receptacles (Continued)

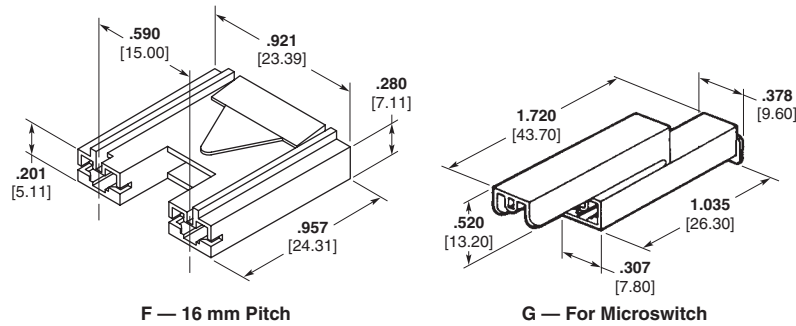
**Mark II
187 Series
Receptacle Housings
2 Circuit**



| Style | Material | UL 94 | Color | UL | CS | Part Number |
|-------|-----------|-------|---------|----|----|-------------|
| A | 6/6 Nylon | V2 | Natural | — | — | 172210-1 |
| | | | Black | — | — | 172210-2 |
| | | | Yellow | — | — | 172210-4 |
| | | | Blue | — | — | 172210-6 |
| | | V0 | Natural | X | X | 1-172210-1 |
| | | | Black | X | X | 1-172210-2 |
| | | | Yellow | — | — | 1-172210-4 |
| | | | Green | — | — | 1-172210-5 |
| | | | Blue | — | — | 1-172210-6 |
| | | | Red | — | — | 1-172210-7 |
| B | 6/6 Nylon | V2 | Natural | X | X | 174587-1 |
| | | | Natural | — | — | 1-174587-1 |
| | | V0 | Yellow | — | — | 1-174587-4 |
| | | | Green | — | — | 1-174587-5 |
| | | | Blue | — | — | 1-174587-6 |
| | | | Red | — | — | 1-174587-7 |

| Style | Material | UL 94 | Color | UL | CS | Part Number | | |
|-------|-----------|-------|---------|----|--------|-------------|---|-------------------------|
| C | 6/6 Nylon | V2 | Natural | X | X | 175578-1 | | |
| | | | Black | — | — | 175578-2 | | |
| | | V0 | Natural | — | — | 1-175578-1 | | |
| | | | Black | — | — | 1-175578-2 | | |
| D | 6/6 Nylon | V0 | Yellow | — | — | 1-175578-4 | | |
| | | | Blue | — | — | 1-175578-6 | | |
| | | | Red | — | — | 1-175578-7 | | |
| | | | Natural | — | — | 17920-1 | | |
| | | | Black | — | — | 17920-2 | | |
| | | | Yellow | — | — | 17920-4 | | |
| | | | Blue | — | — | 17920-6 | | |
| E | 6/6 Nylon | V0 | Natural | X | X | 176498-1 | | |
| | | | Black | — | — | 176498-2 | | |
| | | | Yellow | — | — | 176498-4 | | |
| | | | Blue | — | — | 176498-6 | | |
| | | | 6 Nylon | V2 | Yellow | — | — | 3-176498-4 ¹ |

¹ Housing material to IEC 60695-2-11 Glow Wire temps. 650°C, 750°C, & 850°C.



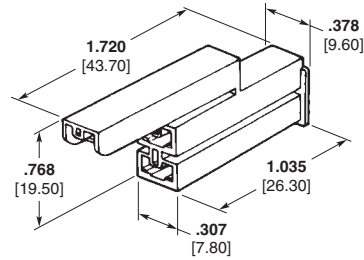
| Style | Material | UL 94 | Color | UL | CS | Part Number |
|-------|-----------|-------|---------|----|----|-------------|
| F | 6/6 Nylon | V0 | Yellow | — | — | 353148-4 |
| | | | Green | — | — | 353148-5 |
| | | | Blue | — | — | 353148-6 |
| G | 6/6 Nylon | V0 | Natural | X | X | 174712-1 |
| | | | Natural | — | — | 1-174712-1 |
| | | | Blue | — | — | 1-174712-6 |
| | | | Red | — | — | 1-174712-7 |

Note: All part numbers are RoHS compliant.

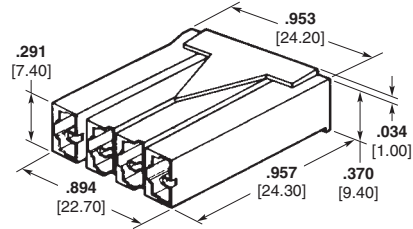
Positive Lock Receptacles

Positive Lock Receptacles (Continued)

Mark II
187 Series
Receptacle Housings
3 Circuit and
4 Circuit



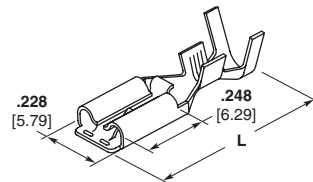
A — 3 Circuit
For Micro-Switch



B — 4 Circuit
For Timer

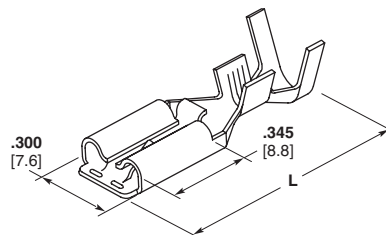
| Style | Material | UL 94 | Color | UL | SP | Part Number |
|-------|-----------|-------|---------|----|----|-------------|
| A | 6/6 Nylon | V2 | Natural | X | X | 172075-1 |
| | | | Yellow | X | X | 172075-4 |
| | | | Blue | — | — | 172075-6 |
| | | V0 | Natural | — | — | 1-172075-1 |
| | | | Yellow | — | — | 1-172075-4 |
| B | 6/6 Nylon | V0 | Natural | X | X | 174513-1 |

Positive Lock EX
187 Series
Straight Receptacles



| Wire Range AWG | Tab Thickness | Insulation Diameter | Material | Stock Thickness | L (Overall Length) | UL | SP | Terminal Part No. |
|--------------------|---------------|----------------------|-----------------|-----------------|--------------------|----|----|-------------------|
| 26-20 0.14-0.53 | .020 0.50 | .050-.140 1.3-3.6 | Stainless Steel | .012 0.30 | .675 17.2 | — | — | 175032-1 |
| 26-16 0.50-1.30 | .020 0.50 | .090-.140 2.3-3.6 | Stainless Steel | .012 0.30 | .675 17.2 | X | — | 1742669-1 |
| 20-14 0.50-2.20 | .020 0.50 | .075-.173 1.9-4.4 | Stainless Steel | .012 0.30 | .675 17.2 | — | X | 175034-1 |

Positive Lock EX
250 Series
Straight Receptacles



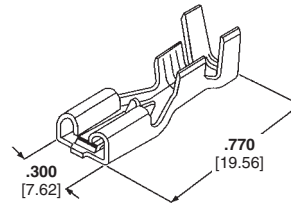
| Wire Range AWG | Tab Thickness | Insulation Diameter | Material | Stock Thickness | L (Overall Length) | UL | SP | Terminal Part No. |
|--------------------|---------------|----------------------|-----------------|-----------------|--------------------|----|----|-------------------|
| 18-14 0.76-2.09 | .032 0.80 | .085-.135 2.2-3.4 | Stainless Steel | .016 0.41 | .835 21.2 | — | — | 175164-1 |

Note: All part numbers are RoHS compliant.

Positive Lock Receptacles (Continued)

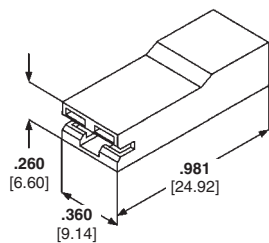
**Mark III
250 Series
Receptacles**

Stock Thickness — .016
Accepts .032 Tab

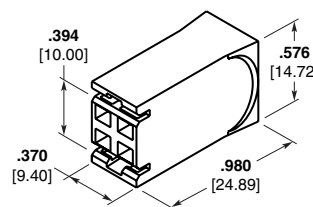


| Wire Range AWG | Insulation Diameter | Material and Finish | UL | SP | Part Number |
|--|------------------------|------------------------|----|----|-------------|
| 22-18 | .060-.110 1.52-2.79 | Brass | X | X | 63933-1 |
| | | Brass/Tin | X | X | 63933-2 |
| 18-14 | .090-.155 2.28-3.93 | Brass | X | X | 63854-1 |
| | | Brass/Tin | X | X | 63854-2 |
| 16-12 or (2) 18 or (2) 16 or (1) 18 and (1) 16 | .120-.170 3.04-4.31 | Brass | X | X | 1217092-1 |
| | | Brass/Tin | X | X | 1217092-2 |

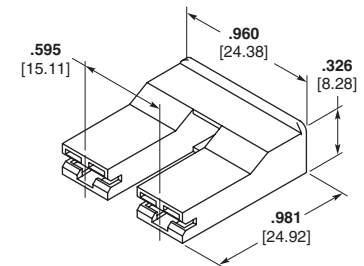
**Mark III
Receptacle Housings**



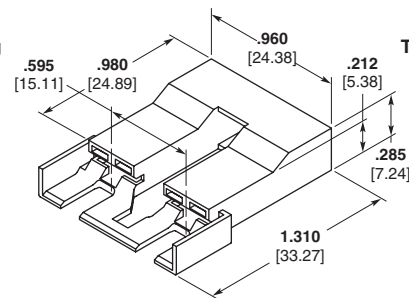
One Circuit Housing
A



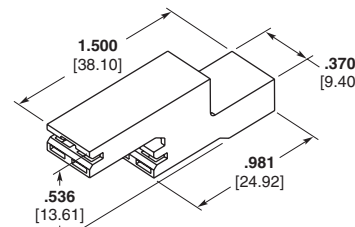
Two Circuit Wax Motor Housing
B



Two Circuit Water Valve Housing
C



Two Circuit Water Valve Housing
with Latch
D



Two Circuit Housing
E

| Style | Material | UL 94 ¹ | Color ² | Part Number | Accepts | UL | SP |
|-------|----------|--------------------|--------------------|-------------------------|--|----|----|
| A | Nylon | V2 | Natural | 521120-1 | 250 Series Positive Lock Mark III Terminals. | X | X |
| B | Nylon | V0 | Natural | 521766-1 | 250 Series FASTON and Positive Lock Mark III Terminals. Examples include 63306 and 63854. | X | X |
| | | | Natural | 2-521253-1 ¹ | | — | — |
| | | | Natural | 521253-1 | | X | X |
| | | | Red | 521253-2 | | X | X |
| D | Nylon | V2 | Red | 1-521253-2 | 250 Series FASTON and Positive Lock Mark III Terminals. Examples Include 63306 and 63854 | X | X |
| | | | Red | 1-521253-2 | | X | X |
| | | | Green | 1-521253-3 | | X | X |
| | | | Blue | 1-521253-7 | | X | X |
| C | Nylon | V2 | Natural | 521119-1 | | X | X |
| E | Nylon | V0 | Natural | 521955-1 | 250 Series MK III Positive Lock Receptacles 63993, 63854, 1217092 | X | X |

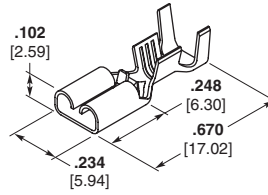
Note: All part numbers are RoHS compliant.

¹ Housing material to IEC 60695-2-11 Glow Wire temps. 650°C, 750°C, & 850°C.

Positive Lock Receptacles

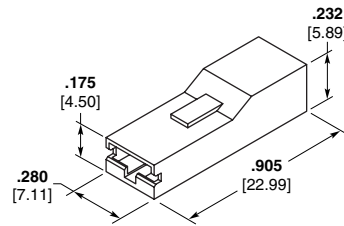
Positive Lock Receptacles (Continued)

**Mark III
187 Series Receptacles**

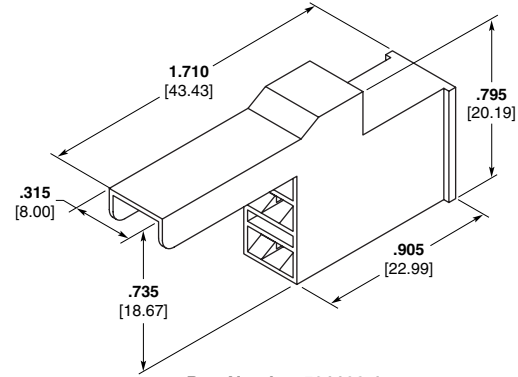


| Wire Range AWG | Insulation Dia. | Mating Tab Thickness | Material and Finish | Terminal Part No. | UL | CS | Applicator |
|-------------------|------------------------|-------------------------|------------------------|----------------------|----|----|------------|
| 22-18 | .090-.130 2.29-3.30 | .020 0.51 | Tin Plated Brass | 1217113-2 | — | — | 680645-2 |
| | | .032 0.81 | Tin Plated Brass | 1217097-2 | — | — | 680645-2 |
| 18-14 | .150-.200 3.81-5.08 | .020 0.51 | Brass | 1217114-1 | — | — | 680652-2 |
| | | .020 0.51 | Tin Plated Brass | 1217114-2 | — | — | 680652-2 |
| 18-14 (2) 18 | .150-.200 3.81-5.08 | .032 0.81 | Brass | 1217096-1 | X | X | 680652-2 |

**Mark III
187 Series
Receptacle Housings**



Part Number 521187-1

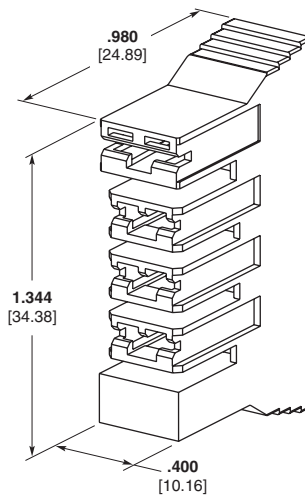


Part Number 521198-1

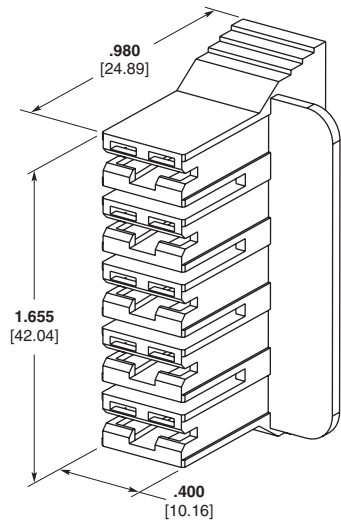
| Material | UL 94 | Color | UL | CS | Part Number |
|----------|-------|---------|----|----|----------------|
| Nylon | V2 | Natural | X | X | 521187-1 |
| Nylon | V2 | Natural | X | — | 521198-1 |

**Mark III
HVAC Motor
Receptacle Housings**

| Material | Color | UL | CS | Part Number |
|----------|---------|----|----|----------------|
| Nylon | Natural | X | X | 521780-1 |
| Nylon | Natural | X | X | 521781-1 |



Part Number 521781-1
4-Position

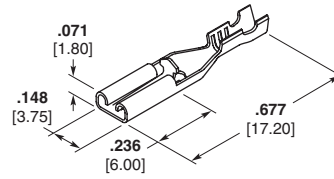


Part Number 521780-1
5-Position

Note: All part numbers are RoHS compliant.

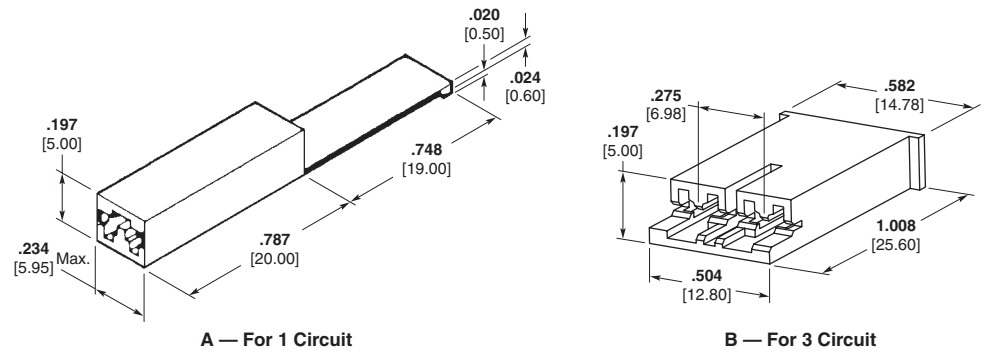
Positive Lock Receptacles (Continued)

**110 Series
Straight Receptacles**



| Wire Range AWG | Tab Fit | Insulation Diameter | Material and Finish | Stock Thickness | UL | CS | Terminal Part No. |
|-------------------|--------------|------------------------|------------------------|--------------------|----|----|----------------------|
| 24-20 | .020 0.51 | .040-.070 1.02-1.78 | Pre-Tin Brass | .010 0.25 | — | — | 175411-1 |
| 20-16 | .020 0.51 | .080-.122 2.03-3.10 | Pre-Tin Brass | .010 0.25 | — | — | 174777-1 |

**Receptacle Housing
Applicable Contact
Part Number 175411, 174777**

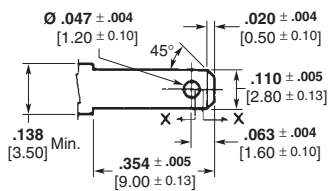


| Style | Material | UL 94 | Color | UL | CS | Part Number |
|-------|-----------|-------|---------|----|----|----------------|
| A | 6/6 Nylon | V2 | Natural | X | X | 174779-1 |
| B | 4/6 Nylon | V2 | Black | — | — | 1969227-1 |

**Tab Dimension
For Signal Circuit**

For 1 Circuit

Top View



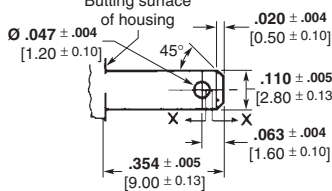
Side View



Type A

(When using tab shoulder for butting)

Top View



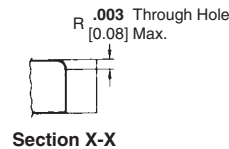
Side View



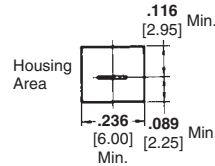
Type B

(When using resin, etc., for butting)

Sagging of the tab's hole must not exceed 0.08 mm.

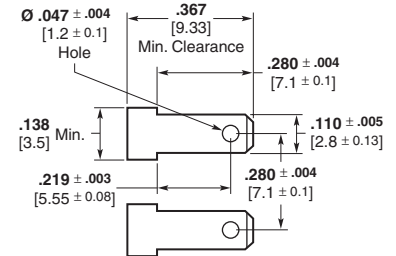


Section X-X



Housing Outline



For 2 Circuit

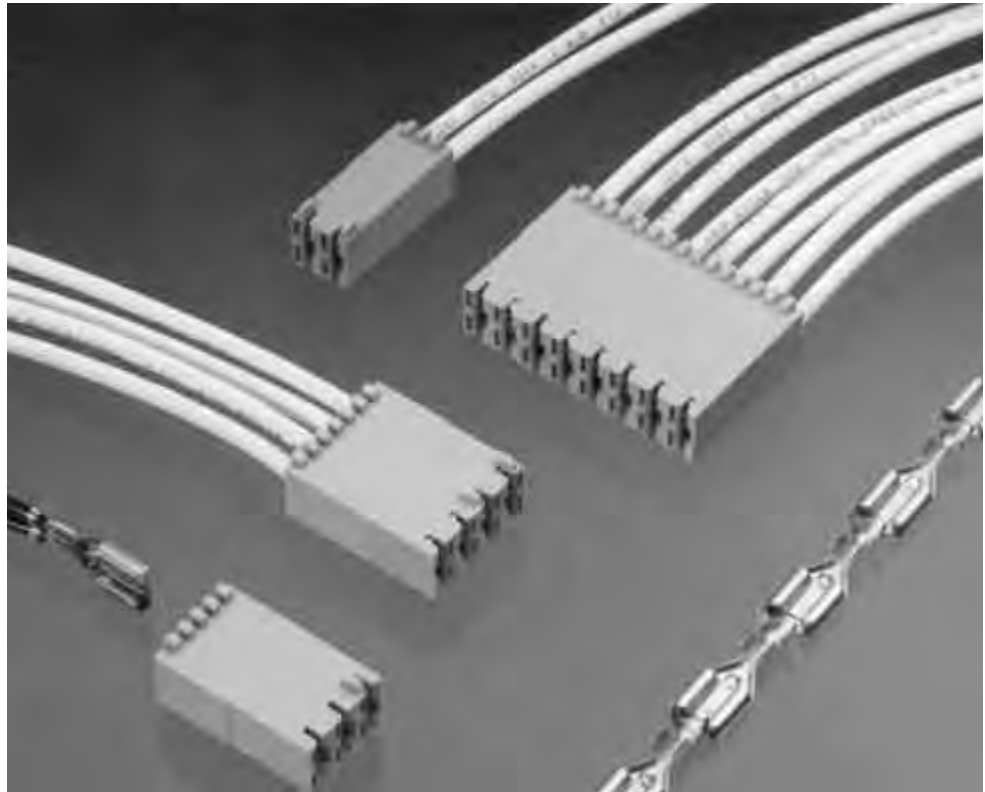


Note: All part numbers are RoHS compliant.

Positive Lock RAST 5 Connector System

Product Facts

- Mates with .250 x .032 [6.35 x 0.81] tabs built on 5 mm centerlines
- Keying and polarization features
- Utilizes Positive Lock Mark III Receptacles
- Terminals available for 22-18 AWG, 18-14 AWG single wire or 18-16 AWG double wire applications
- Plain brass and tin plated terminals available
- Recognized under the Component Program of Underwriters Laboratories Inc., File No. E28476 
- Certified by Canadian Standards Association File No. LR7189 



The Positive Lock RAST 5 connector system has been designed to mate with a control, switch or printed circuit board that has .250 x .032 [6.35 x 0.81] thick tabs built on 5 mm centerlines. This system utilizes our popular Positive Lock Mark III Receptacles and a series of housings to provide customers with a reliable solution to their wire management needs. This line of connectors offers keying and polarization features built into the housings that eliminate mismatching and crossed wires. Two through eight circuit housings facilitate improved assembly

operations and the Positive Lock Terminal provides excellent retention of the connector.

The acronym RAST 5 in the title is a reference to the European design standard for appliance wiring and component design, "Raster Anschluss Steck Technik 5 mm". This standard outlines a system of keying, polarization and latching that is popular in Europe and other parts of the world. The Positive Lock RAST 5 system has been designed to mate with many of the components built with a RAST 5 standard interface. This system is an excellent way for OEMs or their

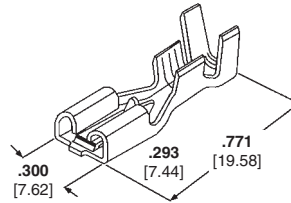
subcontractors to use existing lead makers and termination equipment to produce connectors that mate to controls with RAST interfaces.

While the origins of this product are in the appliance industry, many other industries are embracing this style of connector. Marine, exercise equipment and hand tool manufacturers are recent examples of customers beginning to use this system. Any application where .250 x .032 [6.35 x 0.81] tabs are built on 5 mm centerlines is a potential candidate for this popular connector system.

See TE catalog 296599 for additional RAST products.

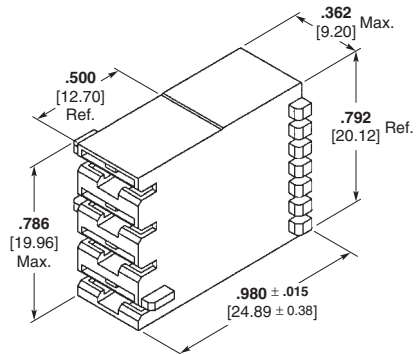
Positive Lock RAST 5 Connector System (Continued)

Mark III
250 Series Receptacles
Stock Thickness — .013 [0.33]
Tab size — .032 [0.81]

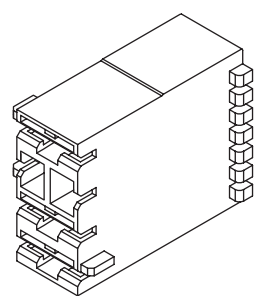


| Wire Range AWG | ID | Material and Finish | Part Number | | | Applicator No. |
|-------------------|------------------------|------------------------|-------------|---|---|-------------------|
| 22-18 | .060-.110 1.52-2.79 | Brass | 1217378-1 | X | X | 1852165-2 |
| | | Tin Plated Brass | 1217378-2 | X | X | 1852165-2 |
| 18-14 | .090-.155 2.29-3.94 | Brass | 1217094-1 | X | X | 680653-2 |
| | | Tin Plated Brass | 1217094-2 | X | X | 680653-2 |
| (2) 18 | .190 4.83 Max. | Tin Plated Brass | 1217094-2 | X | X | 680653-2 |
| 16-12 | .120-.170 3.04-4.32 | Brass | 1217095-1 | X | X | 680654-2 |
| (2) 18 | (2) .120 3.05 Max. | Brass | 1217095-1 | X | X | 680654-2 |
| (2) 16 | (2) .120 3.05 Max. | Tin Plated Brass | 1217095-2 | X | X | 680654-2 |

Receptacle Housings
Material — 94 V-0, 6/6 Nylon



Standard Version



Blocked Circuit Version

| Description | | | Part Number | |
|-------------|---|---|-------------------------------|--------------------------------------|
| | | | Standard Version ⁴ | Blocked Circuit Version ⁵ |
| 2 Position | X | X | 521204 | — |
| 3 Position | X | X | 521205 | 521782 |
| 4 Position | X | X | 521206 | 521295 |
| 5 Position | X | X | 521207 | 521267 |
| 6 Position | X | X | 521208 | 521435 |
| 7 Position | X | X | 521209 | 521935 |
| 8 Position | X | X | 521210 | — |
| 9 Position | X | X | 521746 | 521936 |
| 10 Position | X | X | 521792 | 521836 |
| 11 Position | X | X | 521699 | 1969335 |

- Notes:**
- All part numbers are RoHS compliant.
 - Housing base part number provided.
 - Standard colors are natural and blue.
 - Keying patterns determined by part dash number. Refer to the customer drawing for pattern options.
 - Blocking patterns determined by part dash number. Refer to the customer drawing for pattern options.

Note: All part numbers are RoHS compliant.



Positive Lock RAST 5
Connector System

Ultra-Fast Fully Insulated FASTON Receptacles and Tabs

Product Facts

- One-piece Fully Insulated Premier Line FASTON Receptacle crimp helps prevent shock and short hazards
- Designed for correct lead-in of tab
- Designed for full mating with a variety of tab styles including those with shoulders
- Funnel wire entry
- Wire Stop
- Visual inspection of crimp and wire brush
- Assemblies are color-coded by wire size
- Assemblies contain wire size and tab size designation
- Mating tab thickness marked on terminal and visible through housing (.110, .187 and .205 Series)
- Application tooling available to meet production requirements
- Tin plated copper alloy terminals
- UL rated at + 105°C
- Terminates 26-10 AWG solid, fused and stranded wire (Flags terminate stranded wire only)

Performance Capabilities

- Meets UL-310 specification for quick connect terminals; UL listed under File No. E-66717 
- Meets CSA C22.2, No. 153 specification for quick connect terminals; CSA Certified under File No. LR 7189 
- 600-volt application capability (1,000 volts for signs and fixtures)



The Ultra-Fast Fully Insulated FASTON Receptacle and Tab offers the advantage of a completely protected terminal and a wire crimp with comparable electromechanical performance to open barrel "F" crimp FASTON Terminals. The "User-Friendly" design combines easy mating with rounded corners. The .187 and .250 series receptacles incorporate a two-stage roll configuration and a cantilever mounted dimple which provides easy insertion and multiple independent points of contact for reduced tab interface resistance.

Ultra-Fast Fully Insulated FASTON Receptacles, Flag Receptacles and Tabs preclude the need for costly electrical safety interlocks or special protective shields to help prevent shock hazards. In addition, electrical short circuits from exposed leads are eliminated, even in equipment requiring close contact spacing.

The Ultra-Fast FASTON Receptacle, Flag Receptacle

and Tab are preinsulated assemblies featuring a housing molded from type 6/6 nylon material with a +130°C UL temperature rating.

The Ultra-Fast FASTON Receptacle housing completely encloses a tin plated copper alloy Premier FASTON receptacle which has been stress-relieved for increased durability and resistance to abuse. The FASTON receptacle is recessed sufficiently within the housing to allow its use in 600-volt applications. The receptacle portion of the terminal is designed for positive mating with a variety of tabs, including those with shoulders. The housing has a slotted membrane which is displaced by two tab shoulders allowing proper engagement of tab and receptacle while maintaining the fully insulated characteristic.

Positive entry and lead-in of the tab is provided by the inner housing wall and the lead-in on the terminal rolls.

This permits positive engagement, even in blind mating locations.

The Ultra-Fast FASTON Tab housing completely encloses a tin plated copper alloy FASTON tab. The FASTON tab is recessed sufficiently within the housing to allow its use in 600-volt applications. The housing is designed to completely encapsulate the tab and receptacle when the two are mated.

Quality control is easily maintained. The nylon housing is translucent, allowing visual inspection of the termination. In addition, a crimp code on the platform hand tool is indented into the housing during the crimping operation which identifies that the proper crimp dies were used.

Depending on production requirements, TE provides a complete selection of terminating equipment from hand tools to automatic lead makers.

Ultra-Fast Fully Insulated FASTON Receptacles and Tabs (Continued)

Test Specifications

The following information and accompanying graphs are taken from TE Product Qualification Testing of Ultra-Fast FASTON product. Tests were conducted on representative production samples, and all values shown are averages of group results. The values shown are typical results and may vary due to differences in processing, application and methods of testing.

Current vs. Temperature Rise (16 AWG)



The heat generated by the current passing through a termination is a primary limit to the load-carrying capabilities of the application. A low termination resistance will produce a lower temperature rise as current is applied. In order to evaluate this characteristic, UL has established current ratings for each wire size and set a maximum temperature rise to assure safe operation. For example, 16 AWG stranded wire has a UL 310 maximum temperature rise of 30°C above ambient temperature at the rated current of 10 amps. In the testing of the Ultra-Fast FASTON product applied to 16 AWG wire, the temperature rise was found to be below 10°C at the rated current. In fact, the temperature rise did not exceed 30°C until the current was above 20 amps, more than twice the rated current.

Current Cycling vs. Temperature Rise (16 AWG)



Maintaining a safe temperature rise during cyclic applications of excessive current is the toughest challenge for the crimp-thru-plastic concept. The ability of the Ultra-Fast FASTON product line to meet this goal sets it apart from other preinsulated terminations. TE's experience in crimp development results in a termination that exhibits stable heating characteristics which are well within the safety requirements of the industry.

To test a product, it must be subjected to 500 on and off cycles at twice the rated current for the particular wire size. The temperature rise is measured on the 24th cycle and the 500th cycle. The maximum temperature rise is limited to 85°C above ambient temperature with a maximum of 15°C increase on any sample between the 24th and 500th cycles. Our testing of 16 AWG wire application indicated a 25.5°C maximum temperature rise up to 500 cycles, with a maximum increase of 0.8°C from the 24th to the 500th cycle for one sample in the test group.

Engagement/Separation



The forces caused by the rolls of FASTON style terminals determine the contact interface integrity of a mated receptacle and tab. These forces must be high enough to prevent oxidation and corrosion from forming inside the contact area. As these forces are raised to increase the electrical performance, the engagement and separation forces for mating the contacts are significantly increased. For this reason, the Premier Low Insertion Force FASTON concept of receptacle design has been carried over to the Ultra-Fast FASTON products. This feature provides consistent engagement and separation forces while maintaining a high standard of electrical reliability.

Crimp Tensile



¹ UL does not have requirements for wire gauges below 22 AWG. **Note:** Minimum requirements are per TE specifications.

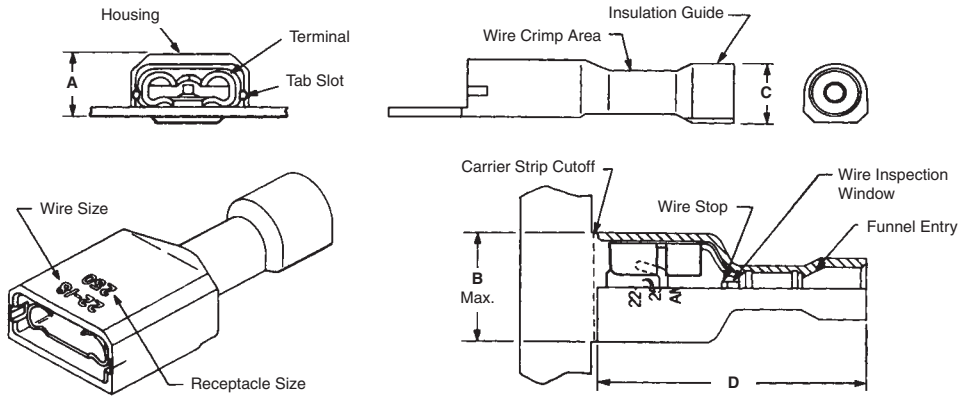
The crimp tensile strength of a wire-to-terminal connection is important in guarding against such hazards as wire flexing, vibration and wire strain. However, maximum tensile strength does not insure maximum electrical performance. An acceptable compromise between tensile strength and electrical performance must always be reached, using recommended crimp heights.

Ultra-Fast Fully Insulated FASTON Receptacles and Tabs (Continued)

Ultra-Fast Fully Insulated FASTON Receptacles

Material

- Housing** — Nylon Type 6/6
- Flammability** — UL 94 V-2
- Terminal** — Tin plated, copper alloy
- Color Code (Translucent)**
- Violet** — 26-22 AWG
- Red** — 22-18 AWG
- Blue** — 16-14 AWG
- Yellow** — 12-10 AWG



| Description | Wire Range AWG | Ins. Dia. Max. | Dimensions | | | | Mating Tab | Terminal Base Material | Part Numbers | | | |
|---------------------|-------------------|-------------------|---------------|---------------|---------------|----------------------------|--------------------------------------|----------------------------|--------------------------------------|-------------------------|-------------------------|------------|
| | | | A | B | C | D | | | Strip | Loose Piece | | |
| .110/.125 Series | 26-22 | .100 2.54 | .145 | .275 | .138 | .735 | .020 x .110/.125 0.51 x 2.79/3.18 | Brass | 7-520365-2 ¹ | 7-520366-2 ¹ | | |
| | | | 3.68 | 6.99 | 3.51 | 18.67 | .016 x .110/.125 0.41 x 2.79/3.18 | Brass | 2-520080-2 ¹ | 2-520081-2 ¹ | | |
| | 22-18 | .120 3.05 | .160 4.06 | .275 | .167 | .735 | .020 x .110/.125 0.51 x 2.79/3.18 | Brass | 2-520083-2 | 2-520084-2 | | |
| | | | | 6.99 | 4.24 | 18.67 | .032 x .110/.125 0.81 x 2.79/3.18 | Brass | 2-520272-2 ³ | 2-520273-2 | | |
| | | | | .230 | .155 | .275 | .295 | .865 | .020 x .110/.125 0.51 x 2.79/3.18 | Brass | 2-520306-2 | — |
| | | | | 5.84 | 3.94 | 6.99 | 7.49 | 21.97 | .032 x .110/.125 0.81 x 2.79/3.18 | Brass | 2-520310-2 | — |
| | 16-14 | .260 6.60 | .175 4.45 | .275 | .325 | .865 | .020 x .110/.125 0.51 x 2.79/3.18 | Brass | 3-520370-2 ² | — | | |
| | | | | 6.60 | 8.26 | 21.97 | .020 x .187 0.51 x 4.75 | Brass | 2-520181-2 ³ | 2-520182-2 | | |
| | .187 Series | 22-18 | .135 3.43 | .165 | .336 | .200 | .855 | .032 x .187 0.81 x 4.75 | Phos. Brz. | 2-520181-4 | — | |
| | | | | 4.19 | 8.53 | 5.08 | 21.72 | .020 x .187 0.51 x 4.75 | Brass | 2-520193-2 ³ | 2-520194-2 | |
| 22-18 | | .230 5.84 | .165 4.19 | .336 | .295 | .935 | .020 x .187 0.51 x 4.75 | Brass | 2-520261-2 ³ | 2-520262-2 | | |
| | | | | 8.53 | 7.49 | 23.75 | .032 x .187 0.81 x 4.75 | Brass | 2-520274-2 | 2-520275-2 | | |
| 16-14 | | .160 4.06 | .185 4.70 | .336 | .225 | .855 | .020 x .187 0.51 x 4.75 | Brass | 3-350815-2 | 3-350816-2 | | |
| | | | | 8.53 | 5.72 | 21.72 | .032 x .187 0.81 x 4.75 | Brass | 3-520124-2 ³ | 3-520125-2 | | |
| | | | | .260 | .185 | .336 | .325 | .935 | .020 x .187 0.51 x 4.75 | Brass | 3-520150-2 | 3-520151-2 |
| | | | | 6.60 | 4.70 | 8.53 | 8.26 | 23.75 | .032 x .187 0.81 x 4.75 | Brass | 3-520276-2 ³ | — |
| .205 Series | | 22-18 | .135 3.43 | .195 | .409 | .200 | .855 | .020 x .205 0.81 x 5.21 | Brass | 2-521406-2 | — | |
| | | | | 4.95 | 10.39 | 5.08 | 21.72 | .032 x .205 0.81 x 5.21 | Brass | 2-521308-2 | — | |
| | 22-18 | .135 3.43 | .195 4.95 | .409 | .200 | .855 | .032 x .250 0.81 x 6.35 | Brass | 2-520183-2 ³ | 2-520184-2 | | |
| | | | | 10.39 | 5.08 | 21.72 | Phos. Brz. | 2-520183-4 | 2-520184-4 | | | |
| .250 Series | 22-18 | .230 5.84 | .195 4.95 | .409 10.39 | .295 7.49 | .935 23.75 | .032 x .250 0.81 x 6.35 | Brass | 2-520263-2 | 2-520264-2 | | |
| | | | | | | | Phos. Brz. | 2-520263-4 | — | | | |
| | 16-14 | .160 4.06 | .195 4.95 | .409 10.39 | .225 5.72 | .855 21.72 | .032 x .250 0.81 x 6.35 | Brass | 3-350819-2 | 3-350820-2 | | |
| | | | | | | | Phos. Brz. | 3-520116-2 | 3-520117-2 | | | |
| 12-10 | .260 6.60 | .195 4.95 | .409 10.39 | .325 8.26 | .935 23.75 | .032 x .250 0.81 x 6.35 | Brass | 3-520140-2 | 3-520141-2 | | | |
| | | | | | | Phos. Brz. | 3-520140-4 | — | | | | |
| 12-10 | .320 8.13 | .250 6.35 | .409 10.39 | .388 9.86 | .935 23.75 | .032 x .250 0.81 x 6.35 | Brass | 4-520447-2 ³ | 4-520448-2 | | | |

¹ UL Recognized, CSA Certified.
² UL Recognized 8 AMPS Max. CSA Certified.
³ Available with black insulator — Part Number 9-XXXXXX-2.

Note: All part numbers are RoHS compliant.

Ultra-Fast Fully Insulated FASTON Receptacles and Tabs

Ultra-Fast Fully Insulated FASTON Receptacles and Tabs (Continued)

Ultra-Fast Fully Insulated FASTON Tabs

Material

- Housing** — Nylon Type 6/6
- Flammability** — UL 94 V-2
- Terminal** — Tin plated, copper alloy
- Color Code (Translucent)**
- Red** — 22-18 AWG
- Blue** — 16-14 AWG
- Yellow** — 12-10 AWG



| Description | Wire Range AWG | Ins. Dia. Max. | Dimensions | | | | Tab Size | Terminal Base Material | Part Numbers | |
|-------------|----------------|----------------|------------|-------|-------|-------------|-------------|------------------------|--------------|-------------|
| | | | A | B | C | D | | | Strip | Loose Piece |
| .250 Series | 22-18 | .135 | .290 | .522 | .205 | .855 | .032 x .250 | Brass | 2-520102-2 | 2-520103-2 |
| | | 3.43 | 7.37 | 13.26 | 5.21 | 21.72 | 0.81 x 6.35 | | | |
| | | .230 | .290 | .522 | .295 | .935 | .032 x .250 | | | |
| | 16-14 | 5.84 | 7.37 | 13.26 | 7.49 | 23.75 | 0.81 x 6.35 | Brass | 2-521144-2 | 2-521192-2 |
| | | .160 | .290 | .522 | .230 | .855 | .032 x .250 | | | |
| | | 4.06 | 7.37 | 13.26 | 8.26 | 23.75 | 0.81 x 6.35 | | | |
| 12-10 | .260 | .290 | .522 | .325 | .935 | .032 x .250 | Brass | 3-521142-2 | 3-521191-2 | |
| | 6.60 | 7.37 | 13.26 | 8.26 | 23.75 | 0.81 x 6.35 | | | | |
| .187 Series | 22-18 | .320 | .352 | .522 | .388 | .935 | .032 x .250 | Brass | 4-521097-2 | 4-521098-2 |
| | | 8.13 | 8.94 | 13.26 | 9.86 | 23.75 | 0.81 x 6.35 | | | |
| | 22-18 | .135 | .250 | .448 | .205 | .793 | .020 x .187 | Brass | 2-521102-2 | 2-521103-2 |
| | | | | | | | 0.51 x 4.75 | | | |
| | | | | | | | .032 x .187 | | | |
| | | | | | | | 0.81 x 4.75 | | | |

Ultra-Fast Fully Insulated FASTON Flag Receptacles

Material

- Housing** — Nylon Type 6/6
- Flammability** — UL 94 V-2
- Terminal** — Tin plated, copper alloy
- Color Code (Translucent)**
- Red** — 22-18 AWG
- Blue** — 16-14 AWG
- Yellow** — 12-10 AWG



| Description | Wire Range ¹ AWG | Ins. Dia. Max. | Dimensions | | | | | Mating Tab | Terminal Base Material | Part Numbers | |
|-------------|-----------------------------|----------------|------------|------|------|------|-------------|-------------|-------------------------|-------------------------|-------------|
| | | | A | B | C | D | E | | | Strip | Loose Piece |
| .187 Series | 22-18 | .165 | .187 | .320 | .235 | .636 | .515 | .020 x .187 | Brass | 2-520334-2 ² | 2-520335-2 |
| | | | | | | | | 0.51 x 4.75 | | | |
| | 16-14 | .185 | .187 | .320 | .255 | .632 | .515 | .032 x .187 | Brass | 2-520336-2 ² | 2-520337-2 |
| | | | | | | | | 0.81 x 4.75 | | | |
| .250 Series | 22-18 | .165 | .187 | .385 | .235 | .636 | .580 | .020 x .187 | Brass | 3-520338-2 | 3-520339-2 |
| | | | | | | | | 0.51 x 4.75 | | | |
| | 16-14 | .165 | .187 | .385 | .235 | .636 | .580 | .032 x .187 | Brass | 3-520340-2 ² | — |
| | | | | | | | | 0.81 x 4.75 | | | |
| 22-18 | .260 | .187 | .320 | .325 | .668 | .565 | .020 x .187 | Brass | 3-520997-2 | — | |
| | | | | | | | 0.51 x 4.75 | | | | |
| .205 Series | 22-18 | .165 | .187 | .385 | .235 | .636 | .580 | .032 x .187 | Brass | 3-521247-2 | — |
| | | | | | | | | 0.81 x 4.75 | | | |
| .250 Series | 22-18 | .165 | .187 | .385 | .235 | .636 | .580 | .032 x .205 | Brass | 2-521164-2 | — |
| | | | | | | | | 0.81 x 5.21 | | | |
| | 22-18 | .165 | .187 | .385 | .235 | .636 | .580 | .032 x .250 | Brass | 2-520128-2 | 2-520129-2 |
| | | | | | | | | 0.81 x 6.35 | | | |
| | 16-14 | .230 | .187 | .385 | .295 | .665 | .630 | .032 x .250 | Brass | 2-520856-2 | — |
| | | | | | | | | 0.81 x 6.35 | | | |
| 22-18 | .185 | .187 | .385 | .255 | .632 | .580 | .032 x .250 | Brass | 3-520132-2 ² | 3-520133-2 | |
| | | | | | | | 0.81 x 6.35 | | | | |
| 16-14 | .260 | .187 | .385 | .325 | .668 | .630 | .032 x .250 | Brass | 3-521013-2 | — | |
| | | | | | | | 0.81 x 6.35 | | | | |

¹ Stranded wire only.
² Available with black insulator — Part Number 9-XXXXXX-2.

Note: All part numbers are RoHS compliant.

Ultra-Fast Fully Insulated FASTON Receptacles and Tabs

Ultra-Fast Plus Fully Insulated FASTON Receptacles and Tabs

Product Facts

- One-piece fully insulated premier line FASTON receptacle with insulation crimp helps prevent shock and short hazards
- Designed for correct lead-in of tab
- Designed for full mating with a variety of tab styles including those with shoulders
- Funnel wire entry
- Wire stop
- Visual inspection of crimp and wire brush
- Assemblies are color-coded by wire size
- Assemblies contain wire size and tab size designation
- Mating tab thickness marked on terminal and visible through housing (110 and 187 series)
- Application tooling available to meet production requirements
- Tin plated copper alloy terminals
- UL rated at +105°C
- Terminates 22-14 AWG solid, fused and stranded wire
- Complies with the IEC 380, 601, 950, and UL 1950 requirements for a secondary means of insulation fixing

Performance Capabilities

- Meets UL-310 specification for quick connect terminals; UL listed under File No. E-66717 
- Meets CSA C22.2, No.153 specification for quick connect terminals; CSA certified under File No. LR 7189 
- 600-volt application capability (1,000 volts for signs and fixtures)

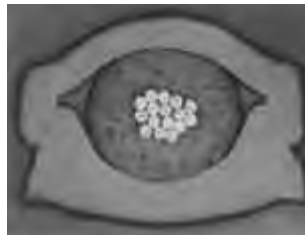
- Tested by TUV File No. E9071003 as suitable for end product certification to the following standards:

EN 60 950/09.87

DIN IEC 380

DIN IEC 601-1 Part 1

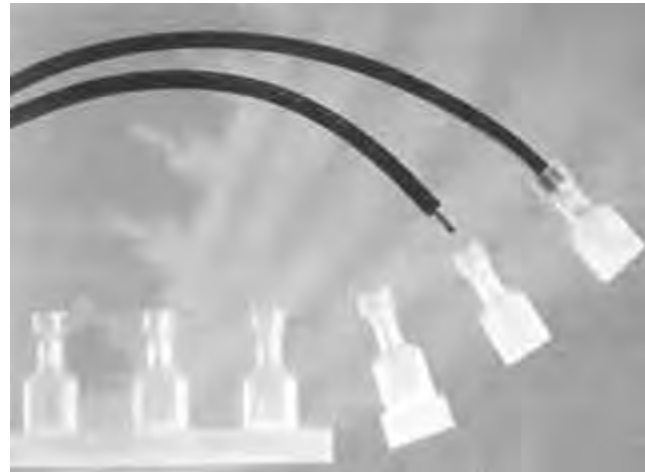
Ultra-Fast Plus fully insulated FASTON receptacles and tabs offer all the advantages of the standard Ultra-Fast product plus an insulation crimp.



Insulation Crimp Cross Section

Ultra-Fast Plus fully insulated FASTON receptacles and tabs preclude the need for costly electrical safety interlocks or special protective shields to help prevent shock hazards. In addition, electrical short circuits from exposed leads are eliminated, even in equipment requiring close contact spacing.

Ultra-Fast Plus FASTON receptacles and tabs are preinsulated assemblies featuring a co-molded housing produced from two different nylon materials. The receptacle/ tab and wire barrel portions of the



housing are molded from type 6/6 nylon material with a +130°C UL temperature rating. The insulation barrel is molded from a premium grade nylon selected to retain the insulation crimp shape. This premium nylon exhibits minimal springback, thus providing actual insulation crimp tensile strength as well as strain relief for applications where extreme wire dressing and/or vibration are present.

The Ultra-Fast Plus FASTON receptacle housing completely encloses a tin plated copper alloy premier FASTON receptacle which has been stress relieved for increased durability and resistance to operator abuse. The FASTON receptacle is recessed sufficiently within the housing to allow its use in 600-volt applications. The receptacle portion of the terminal is designed for positive mating with a variety of tabs, including those with shoulders. The housing has a slotted membrane which is displaced by two tab shoulders allowing proper

engagement of tab and receptacle while maintaining the fully insulated characteristics.

Positive entry and lead-in of the tab is provided by the inner housing wall and the lead-in on the terminal rolls. This permits positive engagement, even in blind mating locations.

The Ultra-Fast Plus FASTON tab housing completely encloses a tin plated copper alloy FASTON tab. The FASTON tab is recessed sufficiently within the housing to allow its use in 600-volt applications. The housing is designed to completely encapsulate the tab and receptacle when the two are mated.

Quality control is easily maintained. The nylon housing is translucent, allowing visual inspection of the termination.

Depending on production requirements, TE provides a complete selection of terminating equipment from hand tools to automatic lead makers.

Ultra-Fast Plus Fully Insulated FASTON Receptacles and Tabs (Continued)

Ultra-Fast Plus Fully Insulated FASTON Receptacles

Material

Housing — Nylon

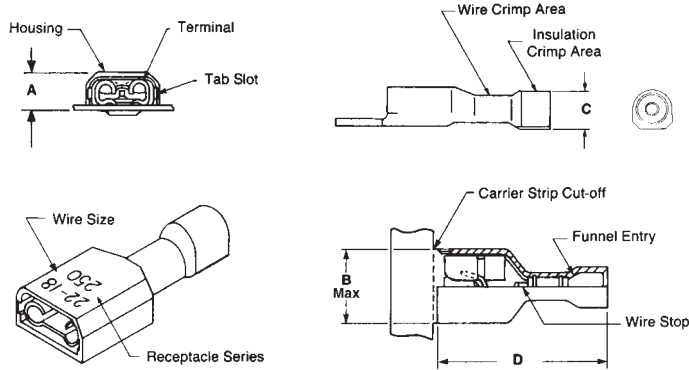
Flammability — UL 94 V-2

Terminal — Tin plated, copper alloy

Color Code (Translucent)

Red — 22-18 AWG

Blue — 16-14 AWG



| Description | Wire Range AWG | Ins. Dia. Range | Dimensions | | | | Mating Tab | Terminal Base Material | Part Numbers | |
|------------------|----------------|------------------------|------------|-------|------|-------|--------------------------------------|------------------------|--------------|-------------|
| | | | A | B | C | D | | | Strip | Loose Piece |
| .110/.125 Series | 22-18 | .060-.120 1.52-3.05 | .160 | .275 | .167 | .735 | .020 x .110/.125 0.51 x 2.79/3.18 | Brass | 2-520932-2 | — |
| | | | 4.06 | 6.99 | 4.24 | 18.67 | .032 x .110/.125 0.81 x 2.79/3.18 | Brass | 2-520979-2 | — |
| .187 Series | 22-18 | .060-.135 1.52-3.43 | .165 | .336 | .200 | .855 | .020 x .187 0.51 x 4.75 | Brass | 2-520401-2 | 2-520409-2 |
| | | | 4.24 | 8.53 | 5.08 | 21.72 | .032 x .187 0.81 x 4.75 | Brass | 2-520403-2 | 2-520411-2 |
| | 16-14 | .090-.160 2.29-4.06 | .185 | .336 | .225 | .855 | .020 x .187 0.51 x 4.75 | Brass | 3-520402-2 | 3-520410-2 |
| | | | 4.70 | 8.53 | 5.72 | 21.72 | .032 x .187 0.81 x 4.75 | Brass | 3-520404-2 | 3-520412-2 |
| .250 Series | 22-18 | .060-.135 1.52-3.43 | .195 | .409 | .200 | .855 | .032 x .250 0.81 x 6.35 | Brass | 2-520405-2 | 2-520407-2 |
| | | | 4.95 | 10.39 | 5.08 | 21.72 | .032 x .250 0.81 x 6.35 | Brass | 3-520406-2 | 3-520408-2 |
| | 16-14 | .090-.160 2.29-4.06 | .195 | .409 | .225 | .855 | .032 x .250 0.81 x 6.35 | Brass | 3-520406-2 | 3-520408-2 |

Ultra-Fast Plus Fully Insulated FASTON Tabs

Material

Housing — Nylon

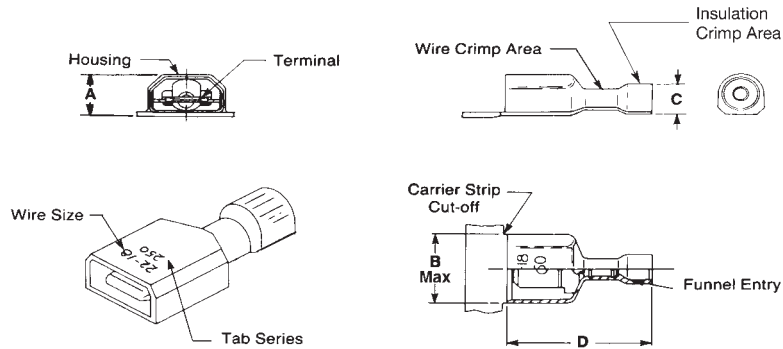
Flammability — UL 94 V-2

Terminal — Tin plated, copper alloy

Color Code (Translucent)

Red — 22-18 AWG

Blue — 16-14 AWG





| Description | Wire Range AWG | Ins. Dia. Range | Dimensions | | | | Mating Tab | Terminal Base Material | Part Numbers | |
|-------------|----------------|------------------------|------------|-------|------|-------|----------------------------|------------------------|--------------|-------------|
| | | | A | B | C | D | | | Strip | Loose Piece |
| .187 Series | 22-18 | .060-.135 1.52-3.43 | .250 | .488 | .205 | .793 | .020 x .187 0.51 x 4.75 | Brass | 2-521360-2 | — |
| | | | 6.35 | 11.38 | 5.21 | 20.14 | .032 x .187 0.81 x 4.75 | Brass | 2-521361-2 | — |
| .250 Series | 22-18 | .060-.135 1.52-3.43 | .290 | .522 | .205 | .855 | .032 x .250 0.81 x 6.35 | Brass | 2-521055-2 | — |
| | | | 7.37 | 13.26 | 5.21 | 21.72 | .032 x .250 0.81 x 6.35 | Brass | 3-521057-2 | — |
| | 16-14 | .090-.160 2.29-4.06 | .290 | .522 | .230 | .855 | .032 x .250 0.81 x 6.35 | Brass | 3-521057-2 | — |
| | | | 7.37 | 13.26 | 5.84 | 21.72 | | | | |

Note: All part numbers are RoHS compliant.

Ultra-Pod Fully Insulated FASTON Receptacles and Tabs

Product Facts

- Reduced insertion force
- Designed for correct lead-in of tab
- Mates with typical 110, 187 and 250 series tab styles including those with shoulders
- 110 series accepts 22-18 AWG [0.3–1 mm²], 187 series accepts 20-16 AWG [0.5–1.4mm²] wire and 250 series accepts 22-10 AWG [0.3–5 mm²] wire
- Visual inspection of crimp and wire brush
- Terminated by automatic or semi-automatic equipment to meet production requirements
- Complies with the IEC 380, 601 and 950 and UL 1950 requirements for a secondary means of insulation fixing
- Listed by Underwriters Laboratories Inc., File No. E66717 
- CSA certified, File No. LR 7189 

Technical Documents

Product Specification

108-1285
108-2215

Application Specification

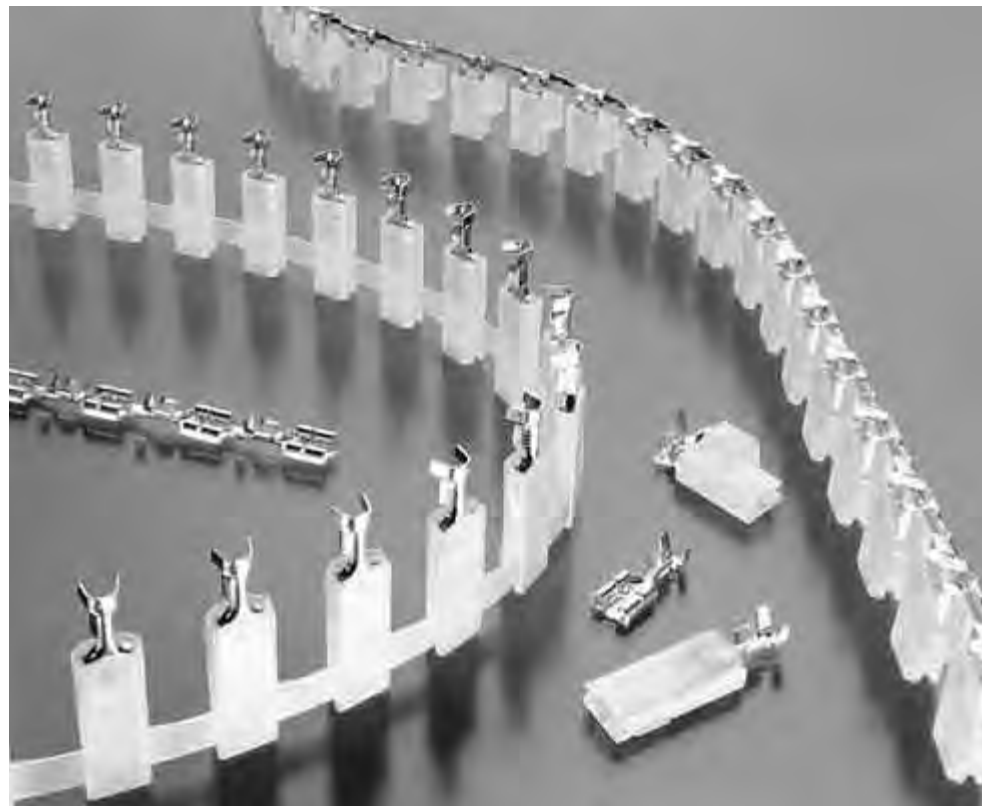
114-2124

Hand Tools — Insertion

250 Series—314916-1
250 Series Flag—314919-1

Hand Tools — Extraction

250 Series—314917-1



Ultra-Pod fully insulated FASTON receptacles offer the newest in one-step automatic application of insulated quick connects. The unique integral plastic carrier designed specifically for this product allows insulated F-Crimp terminations to be produced quickly and easily. Applied cost savings are attainable with either bench or high-speed automatic termination equipment and the elimination of any secondary insulation operations. Both the crimping of the terminal and the terminal insulating occur in a single stroke of the press and applicator — the crimping on the down-stroke and the insulating on the up-stroke.

The receptacles contained within the Ultra-Pod FASTON receptacle assemblies are tested and customer qualified and can be used in existing applications where insulation has been accomplished by other means. The low insertion force design provides easier tab insertion, reduces operator fatigue and improves the productivity and reliability of the end assembly operation.

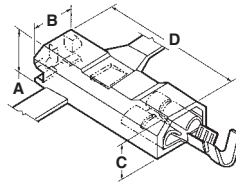
The insulating housing is produced by a unique molding process which provides an integral carrier and eliminates the crimp location problems related to secondary carriers. This housing, produced from 130°C rated 6/6 nylon,

covers the FASTON receptacle sufficiently to provide for use in 600-volt applications. Most importantly, this insulating system helps eliminate the workplace hazards and labor costs of chemically expanded or heat shrink tubing.

Depending on production requirements, TE provides a complete selection of terminating equipment from bench press to automatic lead maker.

Ultra-Pod Fully Insulated FASTON Receptacles and Tabs (Continued)

Insulation Support



| Description | Wire Range | Ins. Dia. Range | Dimensions | | | | Mating Tab | UL 94 ¹ | Color | Material and Finish | Part Numbers |
|------------------|-------------------------|----------------------------|--------------|--------------|---------------|---------------|--------------|--------------------|------------------|-------------------------|-------------------------|
| | | | A | B | C | D | | | | | |
| .110 Series | 22-18 | .080-.120 2.03-3.05 | .151 3.83 | .224 5.69 | .205 5.21 | .805 20.45 | .020 0.51 | V-2 | Natural | Brass | 521228-1 |
| | | | | | | | | | | Tin Plated Brass | 521228-2 |
| | | | | | | | | | | Tin Plated Brass | 521408-2 ⁴ |
| | | | | | | | | | | Brass | 521436-1 ⁴ |
| | | | | | | | | | | Tin Plated Brass | 521436-2 |
| | | | | | | | | | | Brass | 521437-1 ⁴ |
| Tin Plated Brass | 521437-2 ^{2,4} | | | | | | | | | | |
| .187 Series | 20-16 | .090-.130 2.29-3.30 | .170 4.32 | .295 7.49 | .200 5.08 | .775 19.68 | .020 0.51 | V-2 | Natural | Brass | 520973-1 |
| | | | | | | | | | | Tin Plated Brass | 520973-2 |
| | | | | | | | | | | Brass | 521225-1 |
| | | | | | | | | | | Tin Plated Brass | 521225-2 |
| | | | | | | | | | | Brass | 520982-1 |
| | | | | | | | | | | Tin Plated Brass | 520982-2 |
| | 18-16 or 2-18 | (2) .105 Max. 2.67 | .170 4.32 | .295 7.49 | .200 5.08 | .775 19.68 | .020 0.51 | V-2 | Natural | Tin Plated Brass | 521284-1 |
| | | | | | | | | | | Brass | 521284-2 |
| | | | | | | | | | | Brass | 521293-1 |
| | | | | | | | | | | Tin Plated Brass | 521293-2 |
| | | | | | | | | | | Brass | 521995-2 ^{4,5} |
| | | | | | | | | | | Brass | 521586-1 |
| .250 Series | 22-18 | .090-.130 2.29-3.30 | .195 4.95 | .370 9.40 | .225 5.72 | .945 24.00 | .032 0.81 | V-2 | Natural | Brass | 520988-1 |
| | | | | | | | | | | Tin Plated Brass | 520988-2 |
| | | | | | | | | | | Brass | 521368-1 |
| | | | | | | | | | | Tin Plated Brass | 521368-2 |
| | | | | | | | | | | Brass | 521997-1 ^{4,5} |
| | | | | | | | | | | Tin Plated Brass | 520963-1 |
| | 18-14 | (2) .105 Max. 3.05-4.32 | .195 4.95 | .370 9.40 | .225 5.72 | .945 24.00 | .032 0.81 | V-0 | Natural | Brass | 521367-1 |
| | | | | | | | | | | Tin Plated Brass | 521367-2 |
| | | | | | | | | | | Tin Plated Brass | 521011-2 ² |
| | | | | | | | | | | Nickel Plated Steel | 521011-1 ^{2,3} |
| | | | | | | | | | | Nickel Plated Steel | 521113-2 ³ |
| | | | | | | | | | | Brass | 521637-1 |
| 18-14 or 2-18 | (2) .105 Max. 4.95 | .195 4.95 | .370 9.40 | .225 5.72 | .945 24.00 | .032 0.81 | V-2 | Natural | Tin Plated Brass | 521637-2 | |
| | | | | | | | | | Brass | 521998-2 ^{4,5} | |
| | | | | | | | | | Brass | 521632-1 | |
| | | | | | | | | | Tin Plated Brass | 521632-2 | |
| | | | | | | | | | Brass | 520974-1 | |
| | | | | | | | | | Tin Plated Brass | 520974-2 | |
| 14-10 | .130-.180 3.30-4.57 | .195 4.95 | .370 9.40 | .225 5.72 | .945 24.00 | .032 0.81 | V-2 | Natural | Brass | 521366-1 | |
| | | | | | | | | | Tin Plated Brass | 521366-2 | |

¹ Flammability rating of plastic material.
² 150°C rated nylon.
³ UL recognized.
⁴ No UL or CSA approvals.
⁵ IEC 60695-2-11 Glow Wire temps. 650°C, 750°C, & 850°C.

Note: All part numbers are RoHS compliant.

Ultra-Pod Fully Insulated FASTON Receptacles

Ultra-Pod Fully Insulated FASTON Receptacles and Tabs (Continued)

Flag Insulation Support



| Description | Wire Range | Ins. Dia. Range | Dimensions | | | | Mating Tab | UL 94 ¹ | Color | Material and Finish | Part Numbers |
|---------------------------------|---------------------------------|----------------------------|--------------|---------------|---------------|---------------|--------------|--------------------|------------------|--------------------------|--------------------------|
| | | | A | B | C | D | | | | | |
| .187 Series | 22-18 | .060-.110 1.52-2.79 | .170 4.32 | .295 7.49 | .485 12.32 | .680 17.27 | .020 0.51 | V-2 | Natural | Brass | 521470-1 ⁴ |
| | | | | | | | | | | Tin Plated Brass | 521470-2 ⁴ |
| | | | | | | | | | | 1969106-2 ^{3,5} | |
| | | | | | | | | | | Brass | 521596-1 ⁴ |
| | | | | | | | | | | Tin Plated Brass | 521596-2 ⁴ |
| | | | | | | | | | | 521598-1 ³ | |
| | 18-14 or (2) 20 or (2) 18 | (2) .105 Max. 2.66 | .170 4.32 | .295 7.49 | .485 12.32 | .680 17.27 | .032 0.81 | V-2 | Natural | Tin Plated Brass | 521598-2 ³ |
| | | | | | | | | | | Brass | 521600-1 ⁴ |
| | | | | | | | | | | Tin Plated Brass | 521600-2 ⁴ |
| | | | | | | | | | | 521471-1 ⁴ | |
| | | | | | | | | | | Brass | 521471-2 ⁴ |
| | | | | | | | | | | Tin Plated Brass | 1969133-2 ^{3,5} |
| .250 Series | 22-18 | .050-.100 1.27-2.54 | .200 5.08 | .370 9.40 | .585 14.86 | .680 17.27 | .032 0.81 | V-2 | Natural | Brass | 521050-1 |
| | | | | | | | | | | Tin Plated Brass | 521050-2 |
| | | | | | | | | | | 521411-1 | |
| | | | | | | | | | | Brass | 521411-2 |
| | | | | | | | | | | 1969109-1 ^{3,5} | |
| | | | | | | | | | | Tin Plated Brass | 1969109-2 ^{3,5} |
| | 18-14 | (2) .105 Max. 2.79-4.06 | .200 5.08 | .370 9.40 | .585 14.86 | .680 17.27 | .032 0.81 | V-2 | Natural | Brass | 520971-1 |
| | | | | | | | | | | Tin Plated Brass | 520971-2 |
| | | | | | | | | | | Tin Plated Brass | 520971-4 |
| | | | | | | | | | | Nickel Plated Steel | 521087-1 ³ |
| | | | | | | | | | | 521282-1 | |
| | | | | | | | | | | Tin Plated Brass | 521282-2 |
| 18-14 or (2) 20 or (2) 18 | (2) .105 Max. 2.66 | .200 5.08 | .370 9.40 | .585 14.86 | .680 17.27 | .032 0.81 | V-2 | Natural | Brass | 521112-1 | |
| | | | | | | | | | Tin Plated Brass | 1969110-2 ^{3,5} | |
| | | | | | | | | | 521633-1 | | |
| | | | | | | | | | Tin Plated Brass | 521633-2 | |

¹Flammability rating of plastic material.
²UL pending for double wire terminations.
³No UL or CSA approvals.
⁴No CSA approvals.
⁵IEC 60695-2-11 Glow Wire temps. 650°C, 750°C, & 850°C.

Note: All part numbers are RoHS compliant.

Ultra-Pod Fully Insulated FASTON Receptacles and Tabs (Continued)

**Positive Lock
Insulation Support**



| Description | Wire Range | Ins. Dia. Range | Dimensions | | | | Mating Tab | UL 94 ¹ | Color | Material and Finish | Part Numbers |
|-------------|------------|------------------------|------------|------|------|---------|------------------|-----------------------|---------|---------------------|-----------------------|
| | | | A | B | C | D | | | | | |
| .187 Series | 18-14 | .110-.180 2.79-4.57 | .186 | .307 | .265 | .812 | .020 | V-2 | Natural | Brass | 521271-1 ² |
| | | | 4.72 | 7.80 | 6.73 | 20.62 | 0.51 | | | Tin Plated Brass | 521271-2 ² |
| .250 Series | 18-14 | .110-.180 2.79-4.57 | .205 | .370 | .245 | .950 | .032 | V-2 | Natural | Brass | 521213-1 ² |
| | | | 5.21 | 9.40 | 6.22 | 24.13 | 0.81 | | | Tin Plated Brass | 521213-2 ² |
| | | | .032 | 0.81 | V-0 | Natural | Brass | 521317-1 ² | | | |
| | | | | | | | Tin Plated Brass | 521317-2 ² | | | |

¹ Flammability rating of plastic material.
² UL Recognized, CSA Certified

**Tabs
Insulation Support**



| Description | Wire Range | Ins. Dia. Range | Dimensions | | | | Tab | UL 94 ¹ | Color | Material and Finish | Part Numbers |
|-------------|------------|------------------------|------------|------------------|-----------------------|-------|------|--------------------|---------|---------------------|--------------|
| | | | A | B | C | D | | | | | |
| .250 Series | 18-14 | .130-.180 3.30-4.57 | .275 | .450 | .310 | 1.120 | .032 | V-2 | Natural | Brass | 521217-1 |
| | | | 6.99 | 11.43 | 7.87 | 28.45 | 0.81 | | | Tin Plated Brass | 521217-2 |
| | 12-10 | .150-.200 3.81-5.08 | .275 | .450 | .310 | 1.120 | .032 | V-0 | Natural | Brass | 521451-1 |
| | | | | | | | | | | 6.99 | 11.43 |
| .032 | 0.81 | V-2 | Natural | Brass | 521227-1 ² | | | | | | |
| | | | | Tin Plated Brass | 521227-2 ² | | | | | | |

¹ Flammability rating of plastic material.
² No UL or CSA approvals

Ultra-Pod Fully Insulated FASTON Receptacles

Note: All part numbers are RoHS compliant.

PIDG FASTON Receptacles and Tabs

Product Facts

- Pre-insulated terminal designed for complete and uniform reliability in the most difficult circuit environment
- Consists of an unplated or tin plated brass body or a tin plated phosphor bronze body with a specially designed copper sleeve and insulation sleeve fitted over the terminal barrel
- Design of the tool dies and construction of the terminal insures uniform insulation thickness under crimping pressure, transmitting this pressure evenly to the center of the crimp area

The TE Mated Tool/Terminal Concept

- TE compression crimping produces crimps for a given size wire and terminal that are precisely alike in appearance and performance
- Terminal and the crimping tool are designed as precisely matched devices
- Dies are precision-engineered from the finest hard-metal alloys
- Crimping pressure is controlled by a ratchet device on the hand tool or a corresponding pre-calibration in the crimping jaws of TE automated crimping machines

The Crimp

- Crimping pressure does not overstress nor understress the terminal barrel — machined dies fully bottom to the precise crimp height
- Resulting termination is free of contamination
- Resistant to most shock and critical environments
- Tensile strength approaches that of the wire itself



Here is a pre-insulated terminal designed for complete and uniform reliability in most difficult circuit environments. Each PIDG Terminal consists of a tin plated brass body with a specially designed copper sleeve and insulation sleeve fitted over the terminal barrel. The design of the tool dies and the construction of the terminal promotes uniform insulation thickness under crimping pressure, transmitting this pressure evenly to the center of the crimp area.

TE compression crimping produces crimps for a given size wire and terminal that are precisely alike in appearance and performance. This is a calculated result made possible by designing the terminal and the crimping tool as precisely matched devices. The dies are precision-engineered from the finest hard-metal alloys. Crimping pressure is controlled by a ratchet device on the hand tool or a corresponding pre-calibration in the crimping

jaws of TE automated crimping machines.

Crimping pressure can neither over-stress nor understress the terminal barrel — machined dies fully bottom to the precise crimp height required.

The resulting termination is free of contamination, is resistant to shock and critical environments, and its tensile strength approaches that of the wire itself.

Temperature Rating: 105° C

| Wire Range | E66717 Recognized | LR7189 Certified |
|------------|-------------------|--|
| 22-16 | 22-16 Stranded | 300 V Max., 105°C Max. ¹ |
| 16-14 | 16-14 Stranded | |
| 12-10 | 12-10 Stranded | |

¹ UL and CSA — Nylon.

PIDG FASTON Receptacles and Tabs (Continued)

Receptacles

Receptacle Style

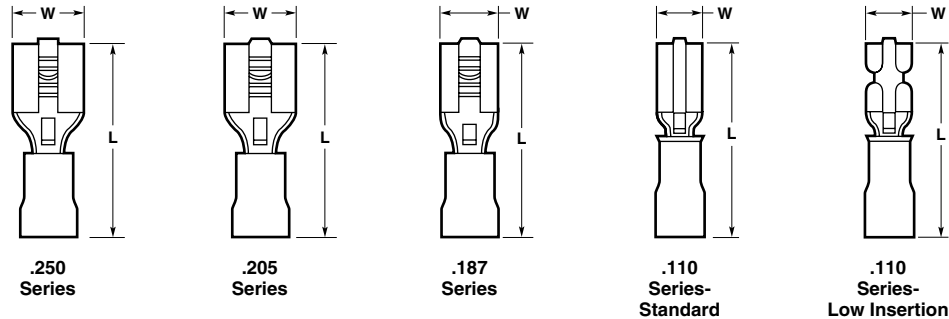
- A** — No dimple with wire stop
- B** — Dimple with wire stop
- C** — No dimple, no wire stop

Material

- Insulation** — Nylon
- Receptacle Body** — Brass per ASTM B-36 or phosphor bronze per ASTM B-139
- Plating** — Tin per MIL-T-10727 except where noted.
- Metallic Sleeve** — Copper per ASTM B-152
- Plating** — Tin per MIL-T-10727

Related Product Data

Application Tooling — reference Catalog 82042 for tooling



| Series | Wire Size Circular Mils [mm ²] | Style | Dimensions | | Terminal Insulation Color | Wire Insulation Diameter Max. | Recept. Matl. | Stock Thk. | Fits Tab Thk. | Part Numbers | | |
|--------------------------------------|--|--------------|----------------|----------------|---------------------------------|--|------------------|-----------------------|-----------------------|-----------------------|-----------------|---------------|
| | | | W Nom. | L Max. | | | | | | Loose Piece | Tape Mounted | Strip Form |
| .250 | 22-18 509-1,900 [0.26-0.96] | B | .300 7.62 | .900 22.86 | Red | .140 3.56 | Brass | .018 0.46 | .032 0.81 | 640903-1* | 640903-2 | 640902-1 |
| | Red | | | | .140 3.56 | Brass | .018 0.46 | .032 0.81 | 55675-1 ² | 55675-2 ² | — | |
| | 16-14 2,050-5,180 [1.04-2.62] | B | .300 7.62 | .900 22.86 | Blue | .170 4.32 | Brass | .018 0.46 | .032 0.81 | 640905-1* | 640905-2 | 640904-1 |
| | Green | | | | .250 6.35 | Brass | .018 0.46 | .032 0.81 | 42844-1** | 42844-3† | 60544-3† | |
| | 14-12 3,831-6,470 ¹ [1.94-3.28] | B | .300 7.62 | 1.012 25.70 | Green | .250 6.35 | Phos. Brz. | .018 0.46 | .032 0.81 | 42844-2** | — | — |
| | Yellow | | | | .250 6.35 | Brass | .018 0.46 | .032 0.81 | 640907-1* | 640907-2 | 640906-1 | |
| 12-10 5,180-13,100 [2.62-6.64] | B | .300 7.62 | 1.012 25.70 | Yellow | .250 6.35 | Phos. Brz. | .018 0.46 | .032 0.81 | 61198-2 ^{3†} | 61198-4 ^{4†} | 61197-2 | |
| Yellow | | | | .250 6.35 | Phos. Brz. | .018 0.46 | .032 0.81 | 61198-2 ^{3†} | 61198-4 ^{4†} | 61197-2 | | |
| .250 Low Insertion | 22-18 509-1,900 [0.26-0.96] | B | .300 7.62 | .900 22.86 | Red | .145 3.68 | Brass | .016 0.41 | .032 0.81 | 184262-1† | 184262-2† | 184261-1† |
| | Blue | | | | .173 4.39 | Brass | .016 0.41 | .032 0.81 | 184265-1† | 184265-2† | 184264-1† | |
| .205 Low Insertion | 22-18 509-1,900 [0.26-0.96] | B | .250 6.35 | .800 20.32 | Red | .135 3.43 | Brass | .016 0.41 | .020 0.51 | 696018-1† | 696018-2† | — |
| | Red | | | | .140 3.56 | Brass | .016 0.41 | .020 0.51 | 640909-1* | 640909-2 | 640908-1 | |
| .205 | 22-18 509-1,900 [0.26-0.96] | B | .250 6.35 | .800 20.32 | Red/Black | .140 3.56 | Brass | .016 0.41 | .020 0.51 | 640174-1 | — | — |
| | | | | | Red | .140 3.56 | Brass | .016 0.41 | .032 0.81 | 640911-1* | 640911-2 | — |
| | 16-14 2,050-5,180 [1.04-2.62] | B | .250 6.35 | .800 20.32 | Blue | .170 4.32 | Brass | .016 0.41 | .020 0.51 | 640913-1* | 640913-2 | — |
| | | | | | Blue | .170 4.32 | Brass | .016 0.41 | .032 0.81 | 640915-1* | 640915-2 | — |
| .187 | 26-24 238-475 [0.12-0.24] | B | .230 5.84 | .700 17.78 | Yellow | .082 2.08 | Brass | .016 0.41 | .020 0.51 | 641321-1** | 641321-2† | 641320-1† |
| | 22-18 509-1,900 [0.26-0.96] | | | | B | .230 5.84 | .800 20.32 | Red | .140 3.56 | Brass | .016 0.41 | .020 0.51 |

† Not UL or CSA approved or listed.

* Available in small packaging quantities.

¹ Wire range is limited as noted.

² Unplated receptacle body.

³ Requires tool 90276-2

⁴ Requires die 58541-1

Note: All part numbers are RoHS compliant.

PIDG FASTON Receptacles and Tabs (Continued)

Receptacles (Continued)

| Series | Wire Size Circular Mils [mm ²] | Style | Dimensions | | Terminal Insulation Color | Wire Insulation Diameter Max. | Recept. Matl. | Stock Thk. | Fits Tab Thk. | Part Numbers | | |
|--------------------------|--|-------|------------|-----------|---------------------------------|--|------------------|---------------|---------------------|----------------|-----------------|---------------|
| | | | W Nom. | L Max. | | | | | | Loose Piece | Tape Mounted | Strip Form |
| .187 | 16-14 2,050-5,180 [1.04-2.62] | B | .230 | .800 | Blue | .170 | Brass | .016 | .020 | 640919-1* | 640919-2 | 640918-1 |
| | | | 5.84 | 20.32 | Blue | 4.32 | 0.41 | 0.51 | 640910-1† | 640910-2† | — | |
| .187 Low Insertion | 16-14 509-1,900 [0.26-0.96] | B | .235 | .800 | Blue | .170 | Brass | .016 | .032 | 184235-1† | 184235-2† | — |
| | | | 5.84 | 20.32 | Blue | 4.32 | 0.41 | 0.81 | 696777-2 | — | 696776-1 | |
| .110 Standard | 22-18 509-1,900 [0.26-0.96] | B | .148 | .734 | Natural | .110 | Brass | .012 | .016 | 61048-1** | 61048-2† | — |
| | | | 3.76 | 18.64 | Natural | 2.79 | 0.30 | 0.41 | 61060-1** | 61060-2† | 61059-2† | |
| | | | .148 | .734 | Natural | .110 | Brass | .012 | .020 | 60894-1** | 60894-2† | 60893-2† |
| .110 Low Insertion | 26-24 238-475 [0.12-0.24] | A | .160 | .700 | Yellow | .082 | Brass | .016 | .020 | 641324-1† | 641324-2† | — |
| | | | 4.06 | 17.78 | Yellow | 2.08 | 0.41 | 0.51 | — | — | 350871-1† | |
| .110 Low Insertion | 22-18 509-1,900 [0.26-0.96] | A | .160 | .796 | Red | .140 | Brass | .016 | .012 | — | — | — |
| | | | 4.06 | 20.22 | Red | 3.56 | 0.41 | 0.30 | .016 | 640921-1 | 640921-2 | — |
| | | | .160 | .800 | Red | .140 | Brass | .016 | .020 | .020 | 640923-1* | 640923-2 |
| .110 Low Insertion | 22-18 509-1,900 [0.26-0.96] | A | .160 | .800 | Red | .140 | Brass | .016 | .032 | 640925-1* | 640925-2 | 640924-1 |
| | | | 4.06 | 20.32 | Red | 3.56 | 0.41 | 0.81 | .020 | 640929-1* | 640929-2 | — |
| | | | .160 | .800 | Blue | .170 | Brass | .016 | .032 | .032 | 640931-1* | 640931-2 |
| .110 Low Insertion | 16-14 2,050-5,180 [1.04-2.62] | A | .160 | .800 | Blue | .170 | Brass | .016 | .016 | 640927-1 | 640927-2 | — |
| | | | 4.06 | 20.32 | Blue | 4.32 | 0.41 | 0.41 | — | — | — | |

†Not UL or CSA approved or listed.

*Available in small packaging quantities.

Tooling for Insulated FASTON Receptacles and Tabs — 26 to 10 AWG Wire Range

| Wire Size | Hand Tool | Tools for Tape Mounted Terminations | | | Tools for Strip Form Terminations |
|--------------------|-----------|---|--|---|---|
| | | Tape Dies for 69875 AMP-TAPETRONIC No Applicator Required | Tape Dies for AMP-O-LECTRIC ¹ Model "G" Applicator 567200-3 | Tape Dies for AMPOMATOR CLS III G, CLS IV Applicator 687658-1 | AMPOMATOR CLS III G, CLS IV Applicators |
| 26-24 | 48518-2 | 69877-2 | 69877-2 | 69877-2 | — |
| 22-18 | 59824-1 | 59826-1 | 59826-1* | 59826-1 | 466788-3 ² |
| 22-18 (Natural) | 90185-1 | 90248-2 | 90248-2 | 90248-2 | 466554-3 |
| 16-14 | 59824-1 | 59827-1 | 59827-1* | 59827-1 | 466789-3 ² |
| 14-12 | 90246-1 | 90240-2 | 90240-2 | 90240-2 | — |
| 12-10 | 59824-1 | 59828-1 | 59828-1* | 59828-1 | 466790-4 ² |

¹Only UL and CSA approved.

¹AMP-O-LECTRIC model "K" 565435-5 uses applicator 567200-2.

²Die included with applicator.

Note: All part numbers are RoHS compliant.

PIDG FASTON Receptacles and Tabs (Continued)

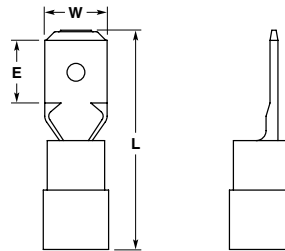
Positive Lock Receptacle
Low Insertion Force with
Locking Device



| Description | Wire Range | Ins. Dia. Max. | Dimensions | | | Material and Finish | Part Number |
|------------------------|------------|----------------|--------------|---------------|--------------|---------------------|-------------|
| | | | W | L | E | | |
| For Tab .250 x .032 | 16-14 | .190 4.83 | .362 9.19 | .850 21.59 | .315 8.00 | Tin Plated Brass | 165536-1† |

†Not UL or CSA approved or listed.

Tab



| Description | Wire Range | Ins. Dia. Max. | Dimensions | | | Material and Finish | Part Number |
|-------------------------------|------------|----------------|--------------|---------------|--------------|---------------------|-------------|
| | | | W | L | E | | |
| For Receptacle .250 x .032 | 22-18 | .157 3.99 | .250 6.35 | .866 22.00 | .300 7.62 | Tin Plated Brass | 696362-1 |
| | 16-14 | .197 5.00 | .250 6.35 | .866 22.00 | .300 7.62 | Tin Plated Brass | 696369-1 |
| | 12-10 | .256 6.50 | .250 6.35 | .950 24.13 | .300 7.62 | Tin Plated Brass | 696372-1 |

PIDG FASTON
Flag Receptacles



| Description | Wire Range | Ins. Dia. Max. | Dimensions | | | Material and Finish | Part Number |
|------------------------|------------|----------------|--------------|---------------|---------------|---------------------|-------------|
| | | | W | L | E | | |
| For Tab .250 x .032 | 22-18 | .134 3.40 | .300 7.62 | .720 18.29 | .610 15.49 | Tin Plated Brass | 156667-1 |
| | 16-14 | .157 3.99 | .300 7.62 | .720 18.29 | .610 15.49 | Tin Plated Brass | 156666-1 |

Note: All part numbers are RoHS compliant.

PIDG FASTON Receptacles and Tabs (Continued)

Fully Insulated Receptacles

Insulation Sleeve — Nylon



| Description | Wire Range | Ins. Dia. Range | Dimensions | | Material and Finish | Part Number |
|------------------------|------------|-----------------|--------------|---------------|---------------------|-------------|
| | | | W | L | | |
| For Tab .250 x .032 | 22-18 | .128 3.25 | .375 9.53 | .891 22.63 | Tin Plated Brass | 696357-1 |
| | 16-14 | .165 4.19 | .375 9.53 | .881 22.38 | Tin Plated Brass | 696366-1 |
| | 12-10 | .225 5.72 | .375 9.53 | .998 25.35 | Tin Plated Brass | 696371-1 |

Budget Line PIDG FASTON Receptacles

Material

Insulation — PVC, UL 94V-0

Receptacle Body — Brass

Plating — Tin

Metallic Sleeve — Copper

Plating — Tin



| Series | Wire Size Circular Mills [mm ²] | Dimensions | | Terminal Color | Wire Insulation Diameter Max. | Fits Tab Thk. | Part Numbers | |
|--------|---|--------------|---------------|-------------------|--|---------------------|----------------|-----------------|
| | | W Nom. | L Nom. | | | | Loose Piece | Tape Mounted |
| .250 | 22-18 | .300 7.62 | .819 20.80 | Red | .150 3.81 | .032 0.81 | 696301-1 | 696301-2 |
| | 16-14 | .300 7.62 | .819 20.80 | Blue | .185 4.70 | .032 0.81 | 696302-1 | 696302-2 |

Note: All part numbers are RoHS compliant.

Application Tooling

AMP-O-LECTRIC Model "G" Termination Machines



A totally new design of our most popular machine for bench-top operation. It features a quiet and highly-reliable direct motor drive, electronic controls for ease of setup and operation, and improved guarding and lighting for operator convenience and safety. All versions also include either manual or automatic precision adjustment for crimp height. For use with miniature style applicators only.

Specifications

Weight — Approximately 240 lb [110 kg]
Height — 20 [508] without reel
Width — 18.7-25.3 [475-643] depending on type of applicator used
Depth — 21.5-28.1 [546-713] depending on type of applicator used
Electrical — 120 or 220 VAC, 50 or 60 Hz
Air — 90-110 psi [6.21-7.59 bar] when required for use with air-feed applicators

For complete information, request Catalog 65828.

AMP-3K/40 and AMP-5K/40 Terminating Machines



The AMP-3K/40 and AMP-5K/40 terminators are designed for customers that require the increased output and quality of a semiautomatic machine at a competitive price. By incorporating the most commonly requested features as standard and offering a long list of optional equipment, these terminators offer flexibility to meet the specific needs of various applications at the lowest possible cost.

- 3,000 lb [1361 kg] max. crimp force (AMP-3K/40)
- 5,000 lb [2268 kg] max. crimp force (AMP-5K/40)

- Tool-less removal of applicators and guards
- Jog capability
- Quiet, fast operation — 80/76 dBA and cycle time less than 0.400 seconds
- Accepts heavy duty mini style applicators
- Wide range of optional equipment such as tool-less precision crimp height adjust, batch counter, CQM capability and work light
- Order Catalog 1654856 for specs and part numbers

Specifications

Height — 20 [510] (without reel support)
Weight — Approx. 150 lb [68 kg]
Capacity —
 AMP-3K/40 — 3,000 lb [1361 kg] max. crimp force; AMP-5K/40 — 5,000 lb [2268 kg] max. crimp force
Noise — 76 dBA maximum at 3,000 lb [1361 kg] full capacity; 80 dBA maximum at 5,000 lb [2268 kg] full capacity
Electrical — 100-240 VAC, 50/60 Hz (6A) • Average <1 A at 120 VAC when used as a bench-top unit at 2 000 cycles per hour operating rate
Air — 90-100 psi [6.21-6.90 bar], 6 scfm [0.00282 m³/s] (when required for use with air-feed applicators)
Note: Optional Air Feed Valve Assembly required.

Application Tooling (Continued)

Optional Stripping Module for the AMP-3K/40, AMP-5K/40 and AMP-O-LECTRIC Model G



The combination of the stripping module with the AMP-O-LECTRIC model G terminator or the AMP 3-K/40, AMP 5-K/40 provides an economical, proficient method of stripping wire and crimping terminals on the same machine. Wires are stripped moments before crimping,

meaning there is virtually no chance of damaging wire conductors during handling or storage. Once the wire is fed into the start sensor the stripping module does the rest, improving placement accuracy.

For more information, request Catalog 1309085.

Crimp Quality Monitor (CQM)



Product Features

- Real-time monitoring of every crimp
- Effective for monitoring the wire barrel crimp of open barrel, uninsulated contacts and terminals
- Calculation and display of actual crimp height, force and position graphs
- Touch screen graphical user interface
- Network access with web interface

- Automatic adjustment of crimp height on enabled terminators
- Multiple language support

Crimp height is the accepted method for the most accurate and precise, non-destructive testing of crimp quality. The Crimp Quality Monitor is a convenient, automatic, easy-to-use tool for measuring crimp height as part of a comprehensive quality management program.

On-screen programmability allows flexible determination of crimp parameters and quality ranges. These monitors are compatible with several machines, including the AMP-O-LECTRIC model G terminating machine and the 3K/40 and 5K/40 terminators.

The TE CQM units utilize a technology which is constantly measuring both ram position and force throughout the crimp cycle. As many as 3,000 data points are gathered at a 5kHz sampling rate and analyzed on every crimp in real time. The CQM then compares the measured force/displacement curve to the base line to ensure that the forces and distances are within specification, thereby indicating a good crimp. Other systems make a force vs. time measurement.

For more information, request Catalog 82275.

AMP-TAPETRONIC Machine, Part Number 69875



The AMP-TAPETRONIC machine is an AMP-O-LECTRIC model "K" terminating machine with a permanently-mounted applicator that accepts interchangeable die sets to apply a variety of tape-mounted terminals and splices. Many of the die sets can also be used in AMP-O-LECTRIC terminating machines with a tape applicator.

For more information, contact TE.

Note: All part numbers are RoHS compliant.

Application Tooling (Continued)

**Gamma 333 PC
Lead-Making Machine,
Three Stations**



With its capacity to accommodate an additional processing station on side 1, the Gamma 333 PC can perform a number of new processes. It can produce two-ended crimp leads, process double crimp connections with three different terminals or apply seals on one end of the wire. Tinning and ink jet marking are two further options. Process monitoring is integrated into the system, ensuring perfect trimming and stripping of the wires.

Specifications

- Length** — 125 [3137]
 - Width** — 54.2 [1377]
 - Height** — 70.5 [1790]
 - Length Range** — 2.36 in-32.8 ft [60-10,000] (optional 30mm)
 - Cross-Section Range** — AWG 26-AWG 10 [0.125mm²-5mm²]
 - Noise Level** — <76dB (without crimping modules)
 - Electrical** — 3x208 - 480V, 50-60Hz; 6kVA
 - Compressed Air** — 5-6 bar
 - Air Consumption** — 6.5m³/h
 - Weight** — 1850 lbs [840 kg] with two crimping modules
- For more information, request Catalog 1307901.

**AMPOMATOR System III
Leadmaker**



Specifications

- Length Range** — 60mm - 650m [2.36-2133"] Optional from 35mm [1.38"]
 - Length Accuracy** — ± 1mm [0.04"] or < 0.2% depending on wire length
 - Stripping Lengths** — 0.1-15mm [0.004-0.591"]
 - Wire Sizes** — 24-10 AWG [0.20 -6mm²]
 - Wire Draw-In Speed** — 10 m/s max.
 - Electrical Power** — 3 phase, 208-480 V / 50-60 Hz
 - Weight** — 1080 kg [2,381 lb]
 - Dimensions** — 3988 x 1702 x 2006 mm [157 x 67 x 79"] L x W x H
 - Air Pressure** — 5-6 bar [73-87 PSI]
 - Air Volume** — 9 m³/hr [5.3ft³/min]
 - Noise** — < 75 db without crimping modules
- For more information, request Catalog 1654956-5.

- Flexible and efficient terminating system
- Single and double wire applications
- User friendly & proven subsystems and accessories
- Meets the demanding requirements of the automotive and appliance industries
- Available with the new AMP-O-LECTRIC ST III terminator
- Accepts various accessories
- SLE crimp quality monitoring
- Choose either Komax or PAWOMAT seal application module

Application Tooling (Continued)

P300 and P350 Automatic Insertion Machines



Automatic insertion machines for the application of reeled pins, tabs and receptacles. Available with up to 3 insertion heads to apply different products. The PCB is positioned by an XY table powered by stepper-motors (optional servo drives for higher insertion rates). Available in stand-alone or inline (SMEMA) configuration for fully automatic operation. Optional equipment includes insertion force monitoring, vision system, board thickness measurement and adjustable lower anvil.

Specifications

- Width** — 57.5 [1,460]
- Depth** — 64.5 [1,640]
- Height** — 60 [1,520]
- Weight** — Depending on configuration
- Electrical** — 110 V, 60 Hz
- Air** — 87 psi [6 bar]
- Insertable Area** — 24 x 16 [600 x 400]

For more information, contact TE.

AccuSserter 2 Pin Insertion Machine



Product Features

- Board capacity of 305 x 450 mm [12 x 18"]
- X/Y-Table with stepper motors
- Database driven software for simple programming and automatic setup
- "Quick change" tooling packs allow easy and fast setup
- Wide range of tooling packs for TE and non TE products available
- Easy-to-use operator interface

Designed and manufactured with a focus on mid-volume level production, the AccuSserter 2 machine provides a broad range of features at a very competitive price. It uses a pneumatic power unit together with product

specific "quick change" tooling packs. The insertion heads can be equipped with a rotary insertion finger that can apply products at different angles without decreasing the insertion rate. The tooling packs can be exchanged within 30 minutes to meet your full range of application requirements.

The lower support tool is equipped with an electrical continuity or pin penetration check to assure that each product was correctly inserted into the PCB and remained there in real time. There is no additional quality check required and all QC data can be stored via the system PC for 100% future traceability.

Note: The AccuSserter 2 machine is not CE approved.

Application Tooling (Continued)

BT3500 Battery Hydraulic Hand Tool, Part Number 2031400-x



Product Facts

- Highly Portable
- Lightweight
- Ergonomic
- Compatible with SDE dies and CERTI-CRIMP II heads
- New “quick take-up” feature
- Approximately 250 crimps per charge
- Generates up to 3500 lbs of crimp force.

The BT3500 battery-hydraulic hand tool kit is designed to provide the ultimate in flexibility, modularity, and powered efficiency in a lightweight, ergonomic, powerful crimp unit powered by a superior lithium ion battery.

The BT3500's flexibility begins with the many user options for the power unit. It can be used with two shoulder strap options (including a 4-point harness or a single shoulder strap) or a belt option, or by using the shoulder strap on the BT case, or used as a portable bench top termination device positioned in the tool case. These six combinations allow you to tailor portable, powered crimping to your manufacturing needs.

For more information, request Catalog 1773381-5.

Options



4-point Harness
(for use with padded belt)



Shoulder Strap



Belt



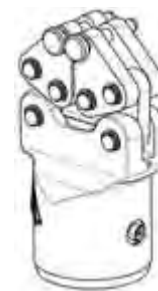
Shoulder Strap with Case

Double Action Hand Tool (DAHT)



- Dies travel in arc-like path
- Locator on tools for FASTON, MATE-N-LOK, PIDG and PLASTI-GRIP terminals
- Insulation adjustment on tools for FASTON, MATE-N-LOK, PIDG and PLASTI-GRIP terminals
- Approximate weight 1.2 lb [0.54 kg]

Double Action Hand Tool Adapter, Part Number 2119483-1 (For use with BT3500 Battery Tool)



626 Pneumatic



Small Tool Holders
Part No. 189766-1
Part No. 356303-1
(w/ ratchet)

2614 Series (CE)

Note: All part numbers are RoHS compliant.

Application Tooling (Continued)

SDE Hand Tool Frames



PRO-CRIMPER III,
Part Number 354940-1
(Frame Only)

C-Head Assembly for Closed Barrel Terminals (Shoulder Dies),
Part Number 2031450-1 (for use with BT3500 Battery Tool)



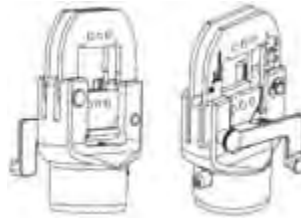
SDE C-Head,
Part Number 2031450-1

626 Pneumatic



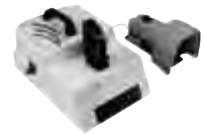
6-26 SDE Kit
Part Number 1213855-1

Closed Head Assembly for Open Barrel Terminals (Pin & Shoulder Dies),
Part Number 2031460-1 (for use with BT3500 Battery Tool)



SDE Closed Head,
Part Number 2031460-1

SDE Electric Terminator



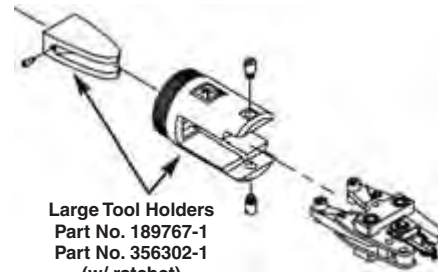
Part Number
1490076-2

Platform Die Hand Tool,
Part Number 58078-3
Frame Only



- Same frame configuration as TETRA-CRIMP hand tool
- Dies are interchangeable
- Adjustable terminal locator
- Approximate weight 1.4 lb [0.64 kg]
- For use with Ultra-Fast and Ultra-Fast Plus product (Die set required to terminate contacts)

626 Pneumatic



Large Tool Holders
Part No. 189767-1
Part No. 356302-1
(w/ ratchet)

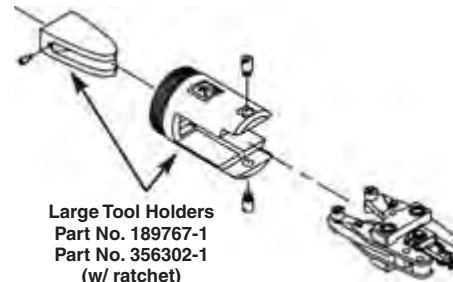
Platform Die Set Adapter
Part No. 679992-1

TETRA-CRIMP Hand Tool,
Part Number 59824-1



- Dies travel in arc-like path
- Multiple color-coded crimping cavities
- Terminal locator and wire stop
- Ratchet control release
- Approximate weight 1.4 lb [0.64 kg]
- For use with closed barrel FASTON product

626 Pneumatic



Large Tool Holders
Part No. 189767-1
Part No. 356302-1
(w/ ratchet)

TETRA-CRIMP Die Set Adapter
Part No. 679305-1

Note: All part numbers are RoHS compliant.

Application Tooling (Continued)

**Universal Handle,
Part Numbers
465629-1 (Short) and
465629-2 (Long)**



This tool with interchangeable tips is used to mate standard and tab-lok flag FASTON receptacles to tabs. It features an adjustable strap. The short tip holder is 1.87 [47.5], the long is 5.87 [149]. For further information, request Instruction Sheet 408-7141.

Model 626 Pneumatic Tool



This modular system consists of a hand- or foot-actuated power unit plus interchangeable tool holders, crimp head assemblies, and die sets, when applicable. It is light weight, and features an optional positive-cycle control that helps eliminate partial crimps. The tool can be easily held or bench mounted.

Specifications

- Weight** — 2.3-3.3 lb [1.0-1.5 kg]
- Length** — 11.6-12.9 [295-327]
- Outside Diameter** — 1.83 [46.5]
- Grip Span** — 2.19 [55.6] over button or handle
- Air** — 90-100 psi [6.21-6.89 bar], 11.4 in³ [0.00018 m³] displacement
- Cycle Time** — 0.7-0.8 sec (16-14 AWG [1.3-2 mm²] PIDG Terminals)

For further information, request Catalog 124208.

Note: All part numbers are RoHS compliant.

Technical Documents

Various technical documents are available for your use:

Production Specifications describe technical performance, characteristics and verification tests. They are intended for the Design, Component and Quality Engineer.

| | |
|----------|--|
| 108-1285 | Ultra-Pod Fully Insulated FASTON Receptacles |
| 108-1706 | 250/205 Srs FASTON PCB Receptacles |
| 108-2000 | .250 Hermetic |
| 108-2002 | .187 Modular FASTIN-FASTON |
| 108-2017 | Ultra-Fast FASTON Tabs |
| 108-2043 | Ultra-Fast FASTON Receptacles |
| 108-2044 | Ultra-Fast Plus FASTON Receptacles |
| 108-2086 | 187 Srs AMPLIVAR FASTON Flag Receptacles |
| 108-2183 | RAST 5 Headers |
| 108-2215 | Ultra-Pod Fully Insulated .187 Flag FASTON Receptacles |
| 108-3017 | Positive Lock Mark I |
| 108-5126 | .187 Positive Lock Mark II |
| 108-5127 | .250 Positive Lock Mark II |

Application Specifications describe requirements for using the product in its intended application and/or crimping information. They are intended for the Packaging Design Engineer and the Machine Setup Person

| | |
|-----------|--|
| 114-1002 | Pre-Insulated Diamond Grip (PIDG) FASTON Receptacle Contacts |
| 114-2025 | FASTIN-FASTON Receptacle and Tab Contacts, 250 Series |
| 114-2028 | Flag Receptacle Contacts, .110 Series |
| 114-2032 | Reversible Flag, 250 Series |
| 114-2036 | FASTON Receptacle Contacts, All Series (110, 187, 205, 250 and 312) |
| 114-2065 | FASTIN-FASTON Receptacle Contacts, All Series (110, 187, 205, 250 and 312) |
| 114-2070 | AMPLIVAR FASTON Tab Contact |
| 114-2074 | Positive Lock Receptacle Connectors — Series 187 MK II and MK III Series 250 MK II, MK III, and RAST 5 |
| 114-2078 | FASTON Tab-Lok Contacts, 187, 205 and 250 Series |
| 114-2079 | F-Crimp Flag Receptacle |
| 114-2082 | Piggyback Flag Tab, All Series |
| 114-2097 | High-temperature FASTON Tab |
| 114-2115 | FASTON 110, 187, 205, 250, and 312 Series Tab Contacts for Printed Circuit (PC) Board Applications |
| 114-2123 | Ultra-Fast, Ultra Fast Flag and Ultra-Fast Plus FASTON Terminals |
| 114-2124 | Ultra-Pod FASTON Fully Insulated Receptacles and Tabs |
| 114-2126 | Center Strip Flag FASTON |
| 114-2144 | AMPLIVAR Receptacles, All Series |
| 114-2146 | AMPLIVAR F-F Tabs |
| 114-2152 | 187 Srs AMPLIVAR FASTON Flag Receptacles |
| 114-2153 | Positive Lock Mark I Receptacle Connectors, .250 Series |
| 114-2155 | 187 Srs FASTON C-Crimp Receptacles |
| 114-2156 | 250/205 Srs FASTON PCB Receptacles |
| 114-35000 | Wire Preparation and Crimp Inspection Guide |

Instruction Sheets provide instruction for assembling or applying the product. They are intended for the Manufacturing Assembler or Operator.

Instruction Material covering operation, setup, maintenance, repair, etc. is included with each machine, tool or die set. If this material is required prior to receiving your tooling, call the TE Customer Service Hotline 800-722-1111 for the applicable document.

Part Number Index

Note: This index lists all cataloged parts by base no. only. Complete part nos. (with prefixes and/or suffixes) are shown on the page(s) indicated.

| Part No. | Page | Part No. | Page | Part No. | Page |
|----------|--------|----------|--------|----------|--------|
| 41143 | 15 | 42415 | 26 | 60415 | 26 |
| 41194 | 15 | 42437 | 13 | 60419 | 74 |
| 41202 | 12 | 42452 | 21, 74 | 60432 | 31 |
| 41274 | 12, 74 | 42452 | 21 | 60434 | 66 |
| 41290 | 38 | 42453 | 21 | 60435 | 66, 74 |
| 41291 | 38 | 42460 | 62, 74 | 60443 | 41 |
| 41292 | 38 | 42470 | 74 | 60447 | 40 |
| 41339 | 37 | 42474 | 33 | 60465 | 36 |
| 41370 | 38 | 42475 | 33 | 60487 | 23 |
| 41398 | 37 | 42486 | 24 | 60520 | 74 |
| 41411 | 33 | 42490 | 34 | 60529 | 24 |
| 41412 | 33, 74 | 42506 | 37 | 60544 | 100 |
| 41449 | 13 | 42510 | 11 | 60573 | 21 |
| 41450 | 13, 74 | 42511 | 15 | 60577 | 26 |
| 41478 | 37 | 42559 | 36 | 60601 | 27 |
| 41480 | 38 | 42563 | 16 | 60605 | 28 |
| 41481 | 38 | 42565 | 74 | 60613 | 40 |
| 41482 | 38 | 42566 | 74 | 60621 | 21 |
| 41484 | 37 | 42579 | 13 | 60634 | 62 |
| 41531 | 15 | 42580 | 62 | 60635 | 13 |
| 41532 | 15, 74 | 42617 | 22 | 60641 | 16 |
| 41617 | 37 | 42618 | 24 | 60645 | 16 |
| 41619 | 38 | 42638 | 74 | 60650 | 12 |
| 41727 | 13 | 42640 | 11 | 60674 | 20 |
| 41728 | 13, 74 | 42660 | 12 | 60701 | 62 |
| 41729 | 74 | 42692 | 12 | 60705 | 74 |
| 41771 | 11 | 42710 | 20 | 60729 | 26 |
| 41772 | 11, 74 | 42712 | 20 | 60742 | 23 |
| 41774 | 13, 74 | 42713 | 20 | 60764 | 19 |
| 41778 | 74 | 42742 | 15, 74 | 60794 | 65 |
| 41800 | 16 | 42743 | 11 | 60850 | 34 |
| 41801 | 16 | 42770 | 33 | 60851 | 16, 74 |
| 41802 | 16 | 42781 | 20 | 60878 | 74 |
| 41898 | 74 | 42799 | 22 | 60893 | 101 |
| 42021 | 74 | 42800 | 24 | 60894 | 101 |
| 42025 | 74 | 42801 | 22 | 60900 | 31, 74 |
| 42041 | 16 | 42802 | 38 | 60904 | 20 |
| 42067 | 26 | 42822 | 36 | 60920 | 41 |
| 42068 | 26, 74 | 42844 | 100 | 60921 | 40 |
| 42095 | 37 | 42845 | 15 | 60922 | 40 |
| 42100 | 62, 74 | 42845 | 15 | 60938 | 15 |
| 42115 | 38 | 55675 | 100 | 60991 | 28 |
| 42117 | 37 | 60080 | 38 | 61029 | 24 |
| 42197 | 20 | 60089 | 26 | 61045 | 42 |
| 42198 | 20 | 60102 | 74 | 61048 | 101 |
| 42199 | 20 | 60118 | 26 | 61059 | 101 |
| 42214 | 37 | 60195 | 20 | 61060 | 101 |
| 42219 | 12, 74 | 60196 | 22 | 61070 | 28 |
| 42233 | 20 | 60197 | 26 | 61095 | 13 |
| 42234 | 20 | 60214 | 22 | 61107 | 12 |
| 42236 | 26 | 60249 | 62 | 61134 | 49 |
| 42238 | 74 | 60252 | 31 | 61156 | 15 |
| 42239 | 20 | 60253 | 62 | 61158 | 26 |
| 42281 | 62, 74 | 60274 | 16 | 61177 | 17 |
| 42282 | 74 | 60279 | 74 | 61187 | 19 |
| 42299 | 20 | 60284 | 46 | 61188 | 19 |
| 42373 | 21, 74 | 60290 | 74 | 61197 | 100 |
| 42374 | 21 | 60294 | 74 | 61198 | 100 |
| 42398 | 27 | 60295 | 62 | 61202 | 11 |
| 42399 | 27 | 60384 | 29 | 61227 | 74 |
| 42400 | 12 | 60385 | 29 | 61281 | 33 |
| 42404 | 15 | 60413 | 62 | 61316 | 74 |

Part Number Index (Continued)

| Part No. | Page | Part No. | Page | Part No. | Page | Part No. | Page |
|----------|--------|----------|------|----------|------|----------|------|
| 61362 | 33 | 62168 | 38 | 63138 | 34 | 63697 | 23 |
| 61365 | 36 | 62181 | 21 | 63223 | 33 | 63699 | 42 |
| 61368 | 11 | 62187 | 21 | 63232 | 81 | 63703 | 27 |
| 61372 | 28 | 62191 | 27 | 63239 | 78 | 63705 | 26 |
| 61375 | 12 | 62221 | 47 | 63241 | 68 | 63747 | 41 |
| 61399 | 11 | 62223 | 14 | 63242 | 27 | 63748 | 24 |
| 61400 | 27 | 62228 | 74 | 63248 | 41 | 63749 | 23 |
| 61407 | 39 | 62253 | 14 | 63274 | 40 | 63751 | 22 |
| 61408 | 27 | 62261 | 38 | 63300 | 32 | 63755 | 44 |
| 61454 | 31, 74 | 62274 | 74 | 63301 | 32 | 63756 | 49 |
| 61457 | 27 | 62276 | 14 | 63306 | 12 | 63757 | 13 |
| 61459 | 28 | 62298 | 41 | 63313 | 81 | 63761 | 33 |
| 61481 | 28 | 62314 | 37 | 63314 | 19 | 63769 | 23 |
| 61499 | 36 | 62321 | 28 | 63315 | 19 | 63771 | 36 |
| 61530 | 28 | 62336 | 28 | 63315 | 19 | 63785 | 22 |
| 61549 | 28 | 62352 | 31 | 63316 | 25 | 63809 | 78 |
| 61664 | 39 | 62354 | 20 | 63317 | 25 | 63812 | 76 |
| 61687 | 34 | 62384 | 34 | 63347 | 21 | 63820 | 11 |
| 61758 | 21 | 62395 | 49 | 63349 | 35 | 63823 | 47 |
| 61761 | 39 | 62409 | 44 | 63365 | 13 | 63824 | 45 |
| 61765 | 42 | 62411 | 46 | 63365 | 13 | 63832 | 23 |
| 61810 | 42 | 62428 | 14 | 63390 | 32 | 63837 | 26 |
| 61813 | 31 | 62437 | 49 | 63391 | 31 | 63838 | 47 |
| 61818 | 26 | 62445 | 35 | 63407 | 81 | 63839 | 44 |
| 61836 | 38 | 62447 | 35 | 63419 | 13 | 63849 | 45 |
| 61892 | 22 | 62474 | 27 | 63435 | 13 | 63850 | 21 |
| 61907 | 47 | 62500 | 13 | 63442 | 78 | 63854 | 84 |
| 61914 | 39 | 62523 | 26 | 63445 | 16 | 63860 | 47 |
| 61944 | 14, 74 | 62531 | 33 | 63445 | 16 | 63862 | 45 |
| 61945 | 23 | 62553 | 62 | 63470 | 23 | 63873 | 21 |
| 61951 | 39 | 62572 | 68 | 63477 | 22 | 63893 | 34 |
| 61960 | 36 | 62576 | 39 | 63497 | 34 | 63896 | 13 |
| 61968 | 49 | 62591 | 24 | 63498 | 81 | 63900 | 44 |
| 61969 | 22 | 62627 | 40 | 63508 | 18 | 63901 | 18 |
| 61971 | 28 | 62628 | 41 | 63512 | 25 | 63918 | 42 |
| 61988 | 14, 74 | 62650 | 44 | 63522 | 32 | 63931 | 21 |
| 62003 | 27, 74 | 62718 | 18 | 63525 | 47 | 63932 | 34 |
| 62011 | 17 | 62751 | 46 | 63537 | 12 | 63933 | 84 |
| 62016 | 23 | 62806 | 46 | 63538 | 18 | 63940 | 30 |
| 62021 | 17 | 62813 | 18 | 63539 | 13 | 63941 | 30 |
| 62022 | 17 | 62814 | 18 | 63555 | 16 | 63942 | 30 |
| 62026 | 22, 74 | 62817 | 24 | 63560 | 27 | 63944 | 30 |
| 62048 | 19 | 62850 | 27 | 63577 | 15 | 63946 | 39 |
| 62049 | 74 | 62852 | 27 | 63596 | 23 | 63949 | 45 |
| 62050 | 27 | 62887 | 34 | 63603 | 47 | 63950 | 45 |
| 62056 | 17 | 62922 | 35 | 63604 | 16 | 63951 | 46 |
| 62057 | 17 | 62968 | 27 | 63609 | 12 | 63952 | 46 |
| 62061 | 41 | 62998 | 14 | 63617 | 16 | 63954 | 26 |
| 62068 | 14 | 63009 | 18 | 63622 | 29 | 63959 | 22 |
| 62069 | 29 | 63010 | 18 | 63623 | 29 | 63961 | 27 |
| 62080 | 29 | 63011 | 18 | 63633 | 40 | 63963 | 18 |
| 62090 | 74 | 63012 | 18 | 63634 | 26 | 63968 | 46 |
| 62091 | 17 | 63038 | 36 | 63646 | 22 | 63969 | 46 |
| 62092 | 11 | 63066 | 44 | 63647 | 19 | 63971 | 37 |
| 62094 | 26 | 63067 | 44 | 63650 | 44 | 63981 | 15 |
| 62109 | 14 | 63093 | 27 | 63651 | 16 | 63982 | 47 |
| 62112 | 74 | 63096 | 18 | 63655 | 12 | 63986 | 44 |
| 62122 | 34 | 63097 | 78 | 63674 | 12 | 63990 | 28 |
| 62137 | 21 | 63104 | 32 | 63677 | 11 | 63993 | 12 |
| 62138 | 21 | 63127 | 11 | 63688 | 12 | 63994 | 46 |
| 62139 | 22 | 63136 | 35 | 63693 | 12 | 151302 | 42 |
| 62166 | 37 | 63137 | 19 | 63696 | 24 | 151321 | 19 |

Part Number Index (Continued)

| Part No. | Page | Part No. | Page | Part No. | Page | Part No. | Page |
|----------|--------|----------|--------|----------|--------|----------|--------|
| 152422 | 42 | 280232 | 53 | 520133 | 92 | 520982 | 96 |
| 154717 | 76 | 284861 | 73 | 520140 | 91 | 520987 | 55 |
| 154718 | 76 | 284985 | 72 | 520141 | 91 | 520988 | 96 |
| 154719 | 76 | 284986 | 72 | 520150 | 91 | 520997 | 92 |
| 156666 | 102 | 293008 | 71 | 520151 | 91 | 521011 | 96 |
| 156667 | 102 | 293009 | 71 | 520181 | 91 | 521013 | 92 |
| 160743 | 68 | 293010 | 71 | 520182 | 91 | 521050 | 97 |
| 160759 | 76 | 293011 | 71 | 520183 | 91 | 521053 | 53 |
| 160762 | 68 | 293014 | 73 | 520184 | 91 | 521055 | 94 |
| 160914 | 62 | 293015 | 73 | 520193 | 91 | 521057 | 94 |
| 163007 | 64 | 293033 | 72 | 520194 | 91 | 521065 | 55 |
| 163008 | 64 | 293034 | 72 | 520206 | 55 | 521066 | 55 |
| 165536 | 102 | 293035 | 71 | 520212 | 57 | 521069 | 56 |
| 170324 | 81 | 293043 | 72 | 520217 | 55 | 521070 | 56 |
| 170325 | 81 | 293044 | 72 | 520219 | 55 | 521087 | 97 |
| 170326 | 81 | 293161 | 71 | 520220 | 55 | 521097 | 92 |
| 170327 | 78 | 336369 | 53 | 520261 | 91 | 521098 | 92 |
| 170328 | 78 | 350815 | 91 | 520262 | 91 | 521102 | 92 |
| 170329 | 78 | 350816 | 91 | 520263 | 91 | 521103 | 92 |
| 170823 | 54 | 350819 | 91 | 520264 | 91 | 521104 | 92 |
| 170891 | 54 | 350820 | 91 | 520272 | 91 | 521105 | 92 |
| 171706 | 53 | 350871 | 101 | 520273 | 91 | 521112 | 97 |
| 172074 | 81 | 353148 | 59, 82 | 520274 | 91 | 521113 | 96 |
| 172075 | 57, 83 | 360010 | 57 | 520275 | 91 | 521119 | 58, 84 |
| 172076 | 78 | 360040 | 53 | 520276 | 91 | 521120 | 84 |
| 172210 | 82 | 360041 | 48 | 520306 | 91 | 521125 | 81 |
| 172469 | 80 | 360042 | 48 | 520310 | 91 | 521140 | 56 |
| 172761 | 80 | 480003 | 64 | 520334 | 92 | 521142 | 92 |
| 172763 | 80 | 480004 | 64 | 520335 | 92 | 521144 | 92 |
| 172765 | 80 | 480053 | 61 | 520336 | 92 | 521148 | 56 |
| 173974 | 81 | 480054 | 61 | 520337 | 92 | 521164 | 92 |
| 174429 | 79 | 480115 | 65 | 520338 | 92 | 521187 | 85 |
| 174513 | 83 | 480116 | 65 | 520339 | 92 | 521191 | 92 |
| 174587 | 82 | 480251 | 66 | 520340 | 92 | 521192 | 92 |
| 174712 | 57, 82 | 480252 | 66 | 520365 | 91 | 521198 | 85 |
| 174777 | 86 | 480281 | 64 | 520366 | 91 | 521204 | 88 |
| 174779 | 86 | 480282 | 64 | 520370 | 91 | 521205 | 88 |
| 175032 | 83 | 480296 | 53 | 520401 | 94 | 521206 | 88 |
| 175034 | 83 | 480298 | 53 | 520402 | 94 | 521207 | 88 |
| 175164 | 83 | 480306 | 53 | 520403 | 94 | 521208 | 88 |
| 175411 | 86 | 480307 | 53 | 520404 | 94 | 521209 | 88 |
| 175578 | 82 | 480416 | 53 | 520405 | 94 | 521210 | 88 |
| 176498 | 59, 82 | 480417 | 54 | 520406 | 94 | 521212 | 98 |
| 177627 | 78 | 480418 | 54 | 520407 | 94 | 521213 | 98 |
| 178833 | 79 | 480435 | 54 | 520408 | 94 | 521217 | 98 |
| 179720 | 59, 82 | 480458 | 54 | 520409 | 94 | 521225 | 96 |
| 180351 | 62 | 480487 | 53 | 520410 | 94 | 521227 | 98 |
| 180900 | 63 | 520080 | 91 | 520411 | 94 | 521228 | 96 |
| 180901 | 63 | 520081 | 91 | 520412 | 94 | 521229 | 58, 79 |
| 180907 | 61 | 520083 | 91 | 520447 | 91 | 521247 | 92 |
| 180908 | 61 | 520084 | 91 | 520448 | 91 | 521251 | 56 |
| 180923 | 61 | 520102 | 92 | 520856 | 92 | 521253 | 58, 84 |
| 180924 | 61 | 520103 | 92 | 520895 | 76 | 521267 | 88 |
| 180940 | 63 | 520106 | 92 | 520932 | 94 | 521271 | 98 |
| 180941 | 63 | 520107 | 92 | 520935 | 58, 79 | 521282 | 97 |
| 184235 | 101 | 520116 | 91 | 520961 | 76 | 521284 | 96 |
| 184261 | 100 | 520117 | 91 | 520963 | 96 | 521289 | 61 |
| 184262 | 100 | 520124 | 91 | 520971 | 97 | 521290 | 61 |
| 184264 | 100 | 520125 | 91 | 520973 | 96 | 521293 | 96 |
| 184265 | 100 | 520128 | 92 | 520974 | 96 | 521295 | 88 |
| 184267 | 101 | 520129 | 92 | 520978 | 56 | 521306 | 57 |
| 184268 | 101 | 520132 | 92 | 520979 | 94 | 521307 | 57 |

Part Number Index (Continued)

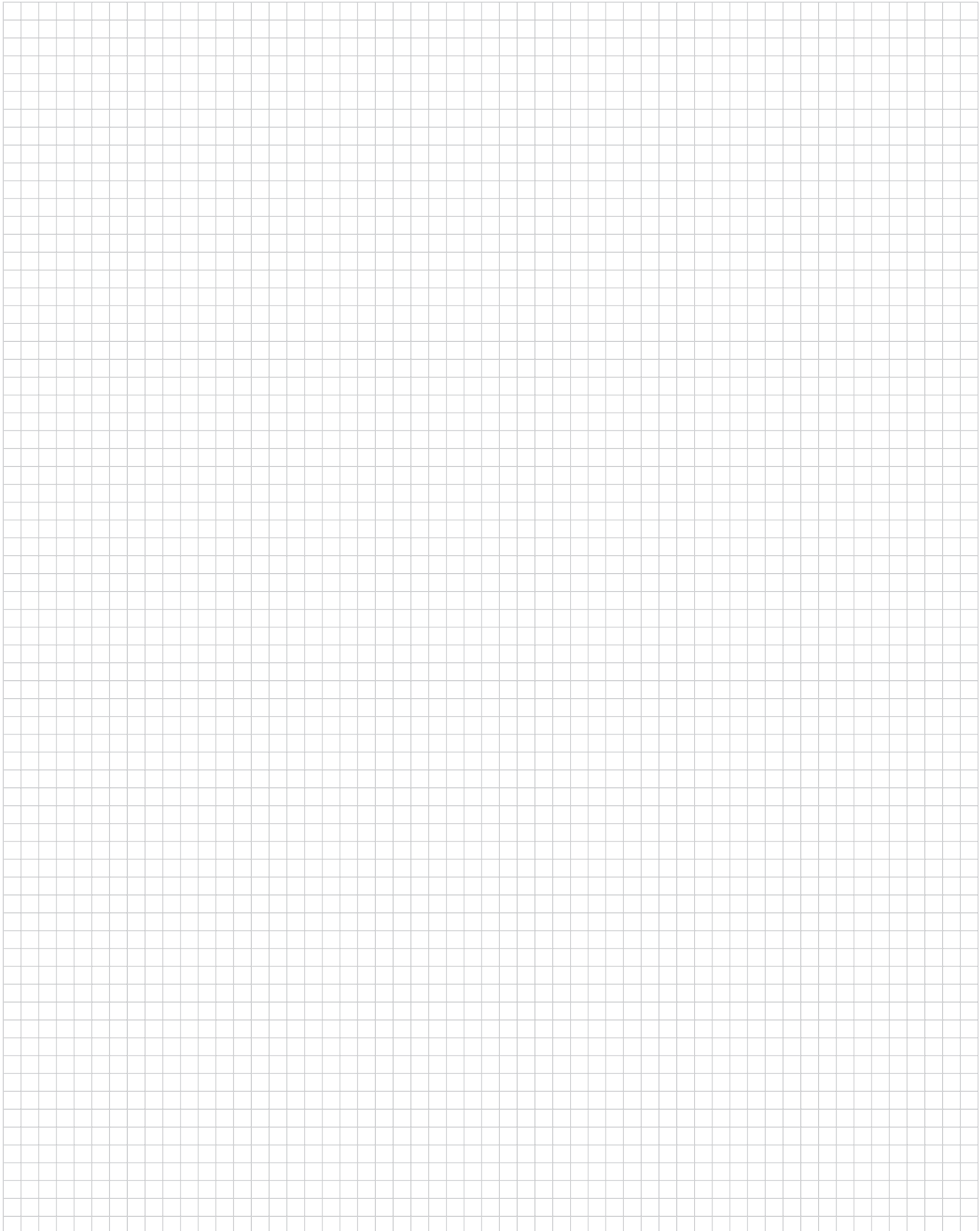
| Part No. | Page | Part No. | Page | Part No. | Page | Part No. | Page |
|----------|--------|----------|------|----------|--------|----------|------|
| 521308 | 91 | 626412 | 25 | 925014 | 67 | 1217169 | 45 |
| 521317 | 98 | 626541 | 63 | 925015 | 67 | 1217180 | 46 |
| 521360 | 94 | 640174 | 100 | 925016 | 67 | 1217244 | 25 |
| 521361 | 94 | 640416 | 65 | 925475 | 67 | 1217281 | 68 |
| 521366 | 96 | 640417 | 65 | 926291 | 77 | 1217321 | 68 |
| 521367 | 96 | 640418 | 65 | 926521 | 76 | 1217332 | 47 |
| 521368 | 96 | 640841 | 65 | 926522 | 76 | 1217378 | 88 |
| 521382 | 51 | 640902 | 100 | 926790 | 77 | 1217417 | 30 |
| 521384 | 51 | 640903 | 100 | 926820 | 77 | 1217421 | 45 |
| 521406 | 91 | 640904 | 100 | 927742 | 71, 72 | 1217539 | 44 |
| 521408 | 96 | 640905 | 100 | 928230 | 71 | 1217558 | 36 |
| 521411 | 97 | 640906 | 100 | 928309 | 72 | 1217566 | 44 |
| 521435 | 88 | 640907 | 100 | 928814 | 46 | 1217624 | 30 |
| 521436 | 96 | 640908 | 100 | 964492 | 71 | 1217754 | 46 |
| 521437 | 96 | 640909 | 100 | 1217002 | 36 | 1217756 | 48 |
| 521451 | 98 | 640911 | 100 | 1217006 | 32 | 1217835 | 29 |
| 521470 | 97 | 640913 | 100 | 1217009 | 25 | 1217899 | 30 |
| 521471 | 97 | 640915 | 100 | 1217010 | 25 | 1217933 | 42 |
| 521586 | 96 | 640916 | 100 | 1217027 | 24 | 1217955 | 30 |
| 521596 | 97 | 640917 | 100 | 1217043 | 14 | 1241857 | 71 |
| 521597 | 97 | 640918 | 101 | 1217056 | 44 | 1241967 | 72 |
| 521598 | 97 | 640919 | 101 | 1217057 | 47 | 1241968 | 72 |
| 521599 | 97 | 640921 | 101 | 1217061 | 48 | 1241969 | 72 |
| 521600 | 97 | 640922 | 101 | 1217062 | 48 | 1742041 | 39 |
| 521601 | 97 | 640923 | 101 | 1217080 | 46 | 1742049 | 25 |
| 521632 | 96 | 640924 | 101 | 1217084 | 21 | 1742086 | 25 |
| 521633 | 97 | 640925 | 101 | 1217092 | 84 | 1742087 | 25 |
| 521637 | 96 | 640927 | 101 | 1217094 | 88 | 1742088 | 25 |
| 521699 | 88 | 640929 | 101 | 1217095 | 88 | 1742089 | 25 |
| 521743 | 61 | 640931 | 101 | 1217096 | 85 | 1742188 | 45 |
| 521744 | 61 | 641320 | 100 | 1217097 | 85 | 1742198 | 12 |
| 521746 | 88 | 641321 | 100 | 1217102 | 27 | 1742219 | 28 |
| 521766 | 57, 84 | 641324 | 101 | 1217107 | 46 | 1742312 | 25 |
| 521771 | 56 | 696018 | 100 | 1217113 | 85 | 1742354 | 78 |
| 521780 | 85 | 696108 | 101 | 1217114 | 85 | 1742361 | 47 |
| 521781 | 85 | 696301 | 103 | 1217118 | 34 | 1742362 | 47 |
| 521782 | 88 | 696302 | 103 | 1217124 | 47 | 1742422 | 24 |
| 521785 | 56 | 696357 | 103 | 1217125 | 45 | 1742543 | 16 |
| 521792 | 88 | 696362 | 102 | 1217126 | 45 | 1742597 | 42 |
| 521836 | 88 | 696366 | 103 | 1217127 | 45 | 1742669 | 83 |
| 521935 | 88 | 696369 | 102 | 1217129 | 21 | 1742678 | 29 |
| 521936 | 88 | 696371 | 103 | 1217131 | 47 | 1742679 | 30 |
| 521955 | 57, 84 | 696372 | 102 | 1217133 | 47 | 1742718 | 18 |
| 521995 | 96 | 696776 | 101 | 1217136 | 45 | 1969106 | 97 |
| 521997 | 96 | 696777 | 101 | 1217137 | 46 | 1969107 | 97 |
| 521998 | 96 | 725963 | 49 | 1217138 | 28 | 1969109 | 97 |
| 626056 | 67 | 725996 | 49 | 1217145 | 27 | 1969110 | 97 |
| 626057 | 67 | 726308 | 42 | 1217148 | 65 | 1969133 | 97 |
| 626062 | 67 | 735075 | 53 | 1217149 | 23 | 1969186 | 53 |
| 626063 | 67 | 790319 | 76 | 1217151 | 23 | 1969227 | 86 |
| 626064 | 67 | 880110 | 63 | 1217156 | 48 | 1969332 | 79 |
| 626065 | 67 | 880310 | 61 | 1217167 | 45 | 1969335 | 88 |

Tooling Part Number Index

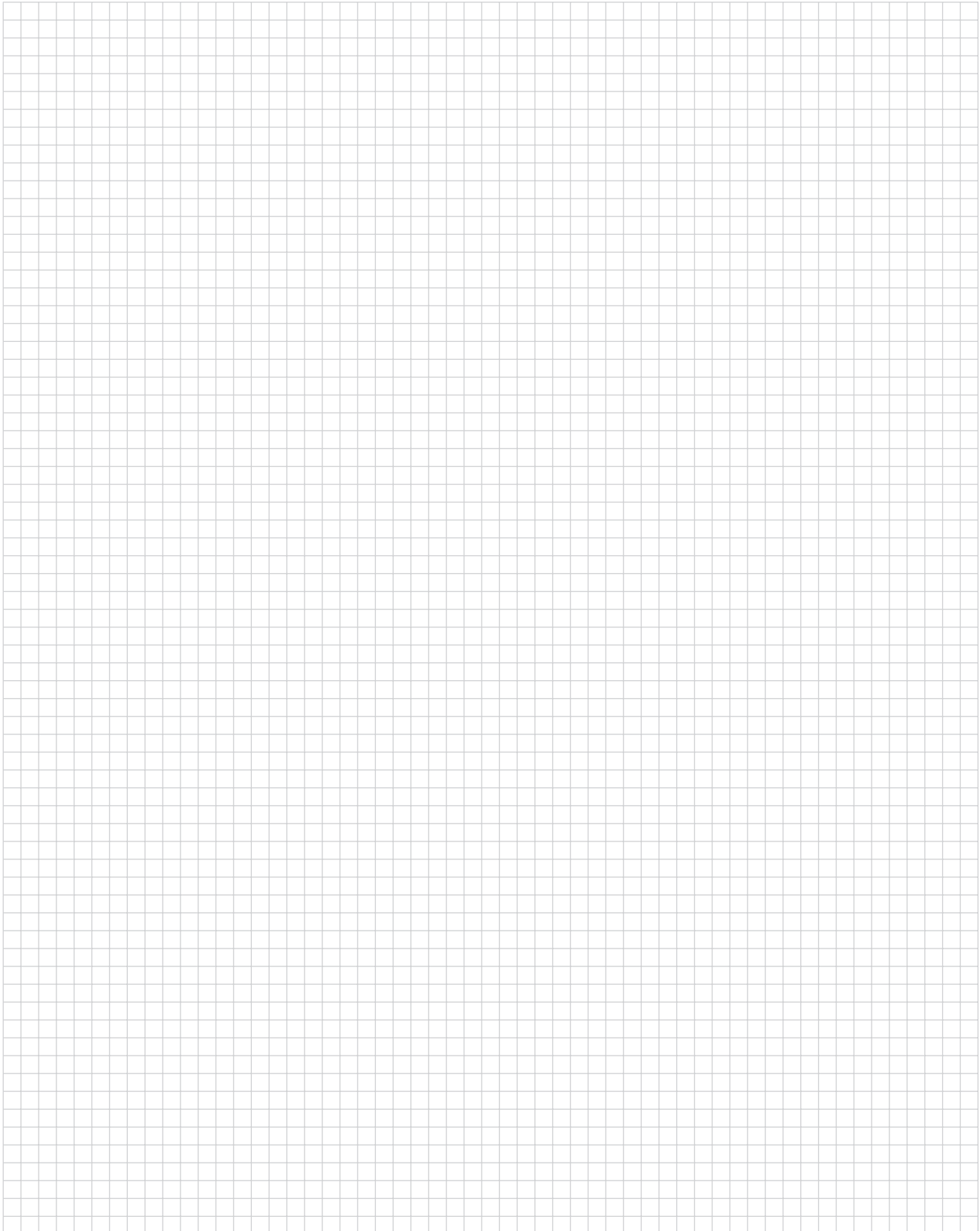
Note: This index lists all cataloged parts by base no. only. Complete part nos. (with prefixes and/or suffixes) are shown on the page(s) indicated.

| Part No. | Page | Part No. | Page | Part No. | Page |
|----------|----------|----------|-------------|----------|------|
| 47094 | 74 | 314917 | 95 | 680645 | 85 |
| 47417 | 74 | 314919 | 95 | 680652 | 85 |
| 48518 | 101 | 354940 | 109 | 680653 | 88 |
| 58078 | 109 | 356302 | 109 | 680654 | 88 |
| 59824 | 101, 109 | 356303 | 108 | 680808 | 65 |
| 59826 | 101 | 465629 | 110 | 687839 | 62 |
| 59827 | 101 | 466057 | 62 | 687888 | 65 |
| 59828 | 101 | 466058 | 62 | 687932 | 62 |
| 69875 | 105 | 466092 | 62 | 687940 | 62 |
| 69877 | 101 | 466542 | 76 | 687979 | 62 |
| 90045 | 74 | 466554 | 101 | 687981 | 62 |
| 90088 | 74 | 466704 | 65 | 687982 | 62 |
| 90120 | 74 | 466707 | 65 | 687993 | 66 |
| 90165 | 74 | 466788 | 101 | 687995 | 66 |
| 90185 | 101 | 466789 | 101 | 720725 | 74 |
| 90240 | 101 | 466790 | 101 | 1213805 | 108 |
| 90246 | 101 | 466791 | 65 | 1213855 | 109 |
| 90248 | 101 | 466883 | 76 | 1213860 | 108 |
| 90276 | 100 | 525651 | 76 | 1490076 | 109 |
| 91509 | 74 | 565435 | 62, 66, 101 | 1583527 | 108 |
| 91511 | 74 | 567181 | 76 | 1852165 | 88 |
| 91514 | 74 | 567200 | 101 | 2031400 | 108 |
| 91557 | 74 | 567417 | 76 | 2031450 | 109 |
| 189508 | 74 | 654174 | 76 | 2031460 | 109 |
| 189766 | 108 | 679305 | 109 | 2119483 | 108 |
| 189767 | 109 | 679992 | 109 | | |
| 314916 | 95 | 680140 | 76 | | |


Engineering Notes



Engineering Notes



Engineering Notes



te.com

© 2011 Tyco Electronics Corporation, a TE Connectivity Ltd. Company. All Rights Reserved.

82004 CGX 3M LUG 03/2011 PDF 09/2014

TE Connectivity, TE connectivity (logo) and TE (logo) are trademarks. Other logos, product and/or company names might be trademarks of their respective owners.

