



Class I

ALTERNATIVE INSTALLATION PROCEDURES FOR 180° KTKK MOULDED PART AND ADAPTOR ASSEMBLIES

ELE-3COP-525

TE Connectivity's 180° KTKK Moulded Part / Adaptor Assemblies

ELECTRONIC APPROVAL, NO SIGNATURES WILL APPEAR.

IF PRINTED THIS DOCUMENT BECOMES UNCONTROLLED

Before starting work please read this document carefully and note the guidance given.

1. PURPOSE AND SCOPE

This Code of Practice describes the procedures to be used when installing 180° KTKK moulded part/adaptor assemblies from TE Connectivity (TE). The instructions stated in this document take preference over IPC/WHMA requirements, as do the drawing and any customer documentation.

It is good working practice that where trained operators have not installed this product for over 6 months, a sample installation should be carried out by the operator to refresh installation practice. Performance of the sample can be checked using the inspection standards described within this document.

TABLE OF CONTENTS

1.	PURPOSE AND SCOPE	2
2.	PERFORMANCE OBJECTIVE.....	4
3.	MATERIALS AND EQUIPMENT	5
4.	HEALTH AND SAFETY	6
5.	PROCEDURE - PREPARATION.....	7
6.	INSPECTION REQUIREMENTS	11
7.	VISUAL STANDARDS	12
8.	REVISION HISTORY	13

Table of Figures

Figure 1	Degreased and abraded cable jacket	9
----------	------------------------------------------	---

Table of Tables

Table 1	Cut back length.....	7
Table 2	Post heating times	10
Table 3	Revision history	13

2. PERFORMANCE OBJECTIVE

This code of practice is produced to support operators already trained in the installation of heat shrinkable and harnessing products. It identifies an alternative procedure which may be used when installing 180° KTKK moulded part/adaptor assemblies for all screened and unscreened assemblies **with** pre-installed adhesive on 'J' end of boot (Method 1), and all coated and uncoated assemblies **without** pre-installed adhesive on 'J' end of boot (Method 2).

3. MATERIALS AND EQUIPMENT

Appropriate 180° KTKK Moulded part/adaptor Assembly.

Raychem S1125 adhesive (Method 2 only).

Raychem S1184 adhesive (Method 2 only).

P100 grit Emery Cloth or equivalent.

Degreasing Agent isopropyl alcohol or isopropanol (IPA) impregnated tissue wipe.

Heavy duty tissues.

Heat Gun CV1981 or equivalent. Other hot air guns may be used but these must be capable of delivering the temperatures required for installation of the Rayaten Moulded Part. This also includes hot air guns with temperature displays.

Reflector PR-24, PR-26 or equivalent.

Bend Test Fixture 500Z1270 (TE Connectivity).

Heat Resistant Gloves.

Safety Glasses.

4. HEALTH AND SAFETY

Adhere to local Codes and Regulations relating to Safe Working practices. For the UK, adhere to requirements of the Health and Safety at Work Act 1974 and subsequent amendments.

The installation should be carried out in a well-ventilated area.

Always wear heat resistant safety gloves when handling hot plastics and adhesives.

The use of suitable protective gloves and barrier cream is recommended when using solvents. Avoid prolonged repeated skin contact with solvents and always wash hands after using solvents.

Care should be taken to wear safety glasses when using and handling chemical solvents. If eyes do become contaminated, flush with water and obtain medical assistance immediately.

Always ensure all equipment is calibrated before use.

5. PROCEDURE - PREPARATION

This procedure covers two methods:

Method 1 - For all screened and unscreened assemblies **with** pre-installed adhesive on 'J' end of boot, ignore steps 5.1, 5.10, 5.11 and 5.13.

Method 2 - For all screened and unscreened assemblies **without** pre-installed adhesive on 'J' end of boot, include steps 5.1, 5.10, 5.11 and 5.13.

5.1. (For screened and unscreened)

METHOD 2 ONLY. Degrease the uncoated 'J' end of the moulded part and abrade with P100 grade emery cloth. Remove any loose particles with a dry tissue. Take care not to abrade coated area.

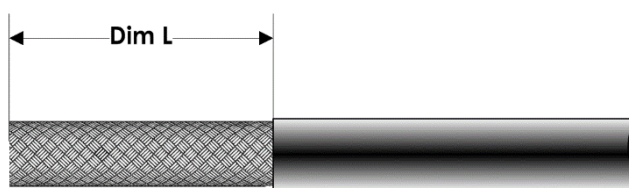
5.2. (For screened and unscreened)

Slide the KTKK assembly onto the cable.

5.3. (For screened and unscreened)

Cut back the cable jacket sufficiently to terminate the conductors to the connector. The recommended dimensions depend upon the size of the moulded part and are given in Table 1 (Dimension L). Allow an extra 20 mm for service loops if required. Fold back cable braid over cable jacket and temporarily secure.

Table 1 Cut back length



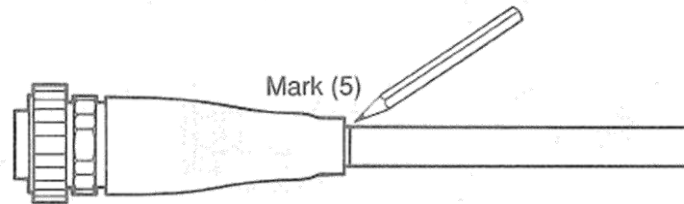
Moulded Part Size	L (mm)	A (mm)
202K121	38	20
202K132	45	20
202K142	50	25
202K153	50	25
202K163	55	30
202K174	75	30
202S121	38	10
202S132	45	10
202S142	55	10
202S152	55	15
202S163	65	20
202S174	80	20

5.4. (For screened and unscreened)

Terminate the conductors to the connector in the appropriate way.

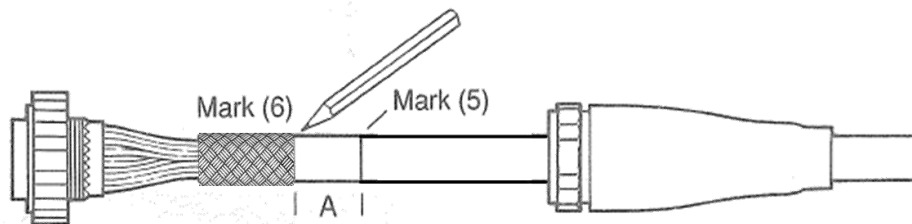
5.5. (For screened and unscreened)

Slide the KTKK assembly along the cable and temporarily secure it to the connector. Mark the cable where the moulded part ends.



5.6. (For screened and unscreened)

Release the KTKK and slide it back along the cable. Make a second mark, distance 'A' towards the connector, from that made in step 5.5. Distance 'A' depends on the size of the moulded part and is given in Table 1 (dimension A).

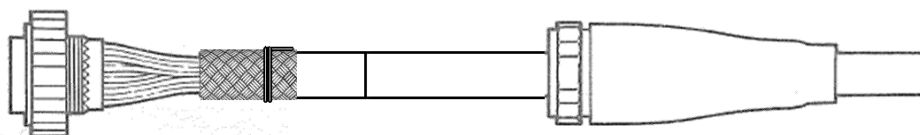


5.7. (For screened)

Pull down cable braid tight over the cable jacket and cut back to Mark 6.

5.8. (For screened)

Secure the ends of the braid with the tinned copper wire, ensuring that the twisted ends are folded flat against the braid.



5.9. (For screened and unscreened)

Degrease area 'A' and the cable braid with the cleaning tissue provide. Thoroughly abrade area 'A' with the P100 grit emery cloth and then remove any loose particles with a dry tissue. **DO NOT** use a solvent wipe. The whole surface of the cable jacket should be abraded removing any print on the cable jacket. See Figure 1. Take care to avoid abrading the plating of the braid.



Figure 1 Degreased and abraded cable jacket

This part of the cable preparation is very important in ensuring a strong bond to the moulded part.

5.10. (For screened and unscreened)

METHOD 2 ONLY. Mix the S1125 adhesive, taking note of the approximate pot life of 60 mins at ambient temperature.

5.11. (For screened)

METHOD 2 ONLY. Mix the S1184 adhesive and work into the length of the braid and thickness 2 mm.

5.12. (For screened and unscreened)

With the major keyway in the correct position, secure the KTKK to the connector using the appropriate mating half and tighten to the specified torque value.

Refer to ELE-3COP-452

5.13. (For screened and unscreened)

METHOD 2 ONLY. Apply S1125 adhesive to area 'A' on the cable jacket and to the uncoated area of the 'J' end of the moulded part.

5.14. (For screened and unscreened)

Using a CV-1981 Heat Gun set to 230°C to 250°C and with a PR24 or PR26 reflector, shrink the rear of the moulded part onto the cable. Heat must be applied evenly around the moulded part to recover evenly and prevent scorching.

Ensure the part is fully recovered onto the cable. Look for evidence that adhesive is present and clean off excess adhesive.

Post heat times shown in Table 2 should be adhered to in order to give sufficient bonding.

Table 2 Post heating times

Moulded Part Size	Approx recovery time (secs)	Post Heat time (secs)
121	30	90
132	30	120
142	45	135
152	45	150
163	60	165
174	60	180

Note: When using S1184 and s1125 adhesives the post heat times must be followed by a further 24 hours at RT, or 1 hour at 85°C, or 15 minutes at 150°C before handling.

Always ensure that the air vent on the rear of the hot air gun is open and that it is dust free.

Always allow the hot air gun to stabilize at the required temperature and setting for two minutes before commencing calibration and installation.

Hot air gun validation shall be carried out on a regular basis, frequency will depend on usage. Please refer to the Manufacturers guide for hot air gun calibration and maintenance and ELE-3COP-711 for hot air gun validation.

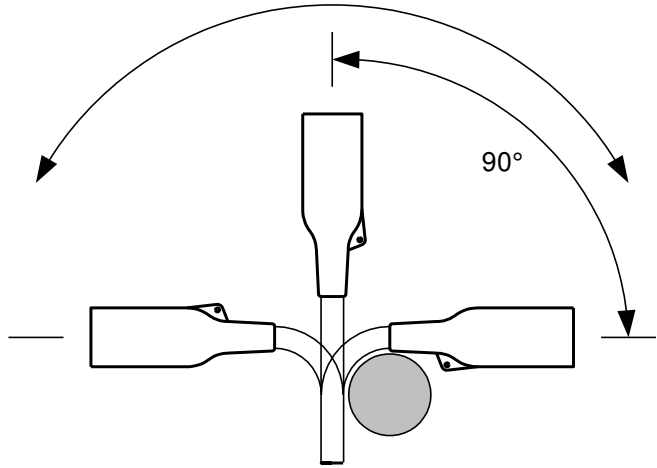
For Screened Assemblies

In order to verify correct installation, it is important that certain checks are carried out to ensure that there are no high resistance terminations. This can be done by recording the DC resistance of the braid prior to installation of the KTKK. Upon completion of installation of the KTKK assembly, the DC resistance value should not increase by greater than 2.5 milliohms.

The measurement of DC resistance gives no statement about the screening performance of the harness, it only tells the quality of the termination.

6. INSPECTION REQUIREMENTS

The termination should be rotated so it is subjected to a flex test of 90° in each of four planes around a mandrel with a diameter equal to 6 times the cable diameter.



There should be no separation between the Moulded Part and the cable jacket at the adhesive bond line.

The Moulded Part must be free from fingerprints and scorch marks.

Record DC resistance measurements.

7. VISUAL STANDARDS

No visual standard currently available.

8. REVISION HISTORY

Author	Approved	Date	Rev	Comments
P. Newman	N. Dorricott	30AUG2010	1	Initial
P. VU	H. Smith	26MAR2018	2	Plated Rayaten replaced by Coated Rayaten moulded parts RTS-1364475.1

Table 3 Revision history

All of the above information is believed to be reliable. Users, however, should independently evaluate the suitability of each product for their application. TE makes no warranties as to the accuracy or completeness of the information and disclaims any liability regarding its use. TE's only obligations are those in the Standard Terms and Conditions of Sale for these products and in no case will TE be liable for any incidental / indirect or consequential damages arising from the sale, resale, use or misuse of the product. TE's specifications are subject to change without notice. In addition, TE reserves the right to make changes in materials or processing, without notification to the Buyer, which do not affect compliance with any applicable specification.