
ELE-3COP-607

Title – Application of Hot Melt Adhesive Tapes.

Before starting work please read this document carefully and note the guidance given.

1 Purpose and Scope

This COP describes the procedure to be used with the application of Hot Melt Adhesive Tapes. The instructions in this document take preference over IPC/WHMA requirements, as do the drawing and any customer documentation.

It is good working practice that where trained operators have not installed this product for over 6 months, a sample installation should be carried out by the operator to refresh installation practice. Performance of the sample can be checked using the inspection standards described within this document.

2 Performance Objective

This code of practice is produced to support operators already trained in the installation of heat shrinkable and harnessing products. It identifies the procedure to be used when installing moulded parts with S1030, S1048 and S1017 hot melt adhesive tapes using a hot air gun. It also details the preparation of the cable jacket and adaptor substrates.

Note

Best results will be obtained if 10% unresolved recovery (grip) for all outlets of the moulded parts is available. Please check for compliance with this requirement before assembly. Unresolved recovery is defined as the difference between the installed diameter and the fully shrunk (recovered) diameter as given on the SCD expressed as a percentage of the fully shrunk diameter. For example a moulded part fully shrunk with a diameter of 10mm and an installed diameter of 11mm has a 10% unresolved recovery.

3 Materials and Equipment:

Appropriate moulded parts.

Appropriate moulded part adaptor.

100 grit Emery Cloth.

Degreasing Agent isopropyl alcohol or isopropanol (IPA) impregnated tissue wipe.

Heavy duty tissues.

Heat Gun CV1981 or equivalent. Other hot air guns may be used but these must be capable of delivering the temperatures required for installation of the moulded part. This also includes hot air guns with temperature displays.

Reflector PR 26 or equivalent.

Bend Test Fixture 500Z1270 (TE)

Heat Resistant Gloves.

Safety Glasses.

Clock timer.

ELE-3COP-607

Title – Application of Hot Melt Adhesive Tapes.

4 Health and Safety

Adhere to local Codes and Regulations relating to Safe Working practices. For the U.K. adhere to requirements of the Health and Safety at Work Act 1974 and subsequent amendments.

The installation should be carried out in a well ventilated area.

Always wear heat resistant safety gloves when handling hot plastics and adhesives.

The use of suitable protective gloves and barrier cream is recommended when using solvents.

Avoid prolonged repeated skin contact with solvents and always wash hands after using solvents.

Care should be taken to wear safety glasses when using and handling chemical solvents. If eyes do become contaminated, flush with water and obtain medical assistance immediately.

Always ensure all equipment is calibrated before use.

5 Procedure – Adhesive Selection

S1030(Pre-coated form /180)

Suitable for applications using polyolefin and elastomeric materials when low temperature and maximum flexibility are required.

S1048 (Pre-coated form /86)

Is the preferred Hot Melt high temperature Adhesive. Due to the high temperature needed to achieve correct installation this adhesive is NOT recommended for – 4 Moulded parts (flexible polyolefin) or Heat sensitive substrates.

S1017 (Pre-coated form /42)

Suitable for Heat Sensitive Substrates

This Code of Practice applies to Hot Melt Tapes only. Refer to relevant COP for installation of moulded parts in pre coated form

Preparation

To ensure the best possible bond between the moulded part and the adaptor, degrease the adaptor end where the H end of the moulded part will recover onto the adaptor with isopropyl alcohol or isopropanol (IPA) impregnated tissue wipe.

As adaptors are normally plated NEVER abrade the adaptor.

Degrease the inner area of the moulded part at each end thoroughly (Approximately 30mm) using Isopropyl alcohol. Abrade the inner area of the moulded part at each end thoroughly (Approximately 30mm) with 100 grit emery cloth.

To ensure the best possible bond between the moulded part and the cable jacket degrease the cable jacket in the area where the J end will recover onto the cable using Isopropyl alcohol. (Approximately 30mm).

Abrade the cable jacket thoroughly in the same area with 100 grit emery cloth. The whole surface of the cable jacket should be abraded removing any print on the cable jacket.

Remove loose particles from the abraded area on both the moulded part and the cable jacket using a dry tissue.

DO NOT use a solvent wipe.

Ensure sufficient cable jacket has been abraded to incorporate the strip length requirement.

ELE-3COP-607

Title – Application of Hot Melt Adhesive Tapes.



Cable Abrasion



Moulded Part Abrasion

This part of the cable preparation is very important in ensuring a strong bond to the moulded part.

Installation

Always ensure that the air vent on the rear of the hot air gun is open and that it is dust free. Always allow the hot air gun to stabilize at the required temperature and setting for two minutes before commencing calibration and installation.

Setting of the gun should be carried out on a regular basis using the following temperatures. Frequency will depend on usage. It is recommended that the Heat gun is set daily using a Calibrated thermocouple 25 mm from the end of the reflector within the temperature range stated opposite. Please refer to the Manufacturers guide for Hot Air Gun Calibration and maintenance.

For /86 Adhesive set the Hot air gun to 230°C to 250°C.

For /42 Adhesive set the Hot air gun to 230°C to 250°C

For /180 Adhesive set the hot air gun to 230°C to 250°C

Where connector / adaptor preheating is judged to be necessary for large and high heat sink terminations, care must be taken to ensure the connector insulation and primary wire insulation are not damaged: Ensure heat is directed to the metal area of the adaptor and all other areas are avoided. TE cannot be held responsible for damage caused during the preheating of connectors.

Cut required amount of adhesive tape and position as required.

Apply a small amount of heat to secure the Adhesive tape in place.

As a general guide, two wraps of adhesive tape should be applied.

When using adhesive tape with a TE adaptor, the knurled area and the recess lip should both be applied with the adhesive tape.

Position the Moulded Part so that the lipped H end will recover into the groove on the adaptor.

When recovering, the heat must be applied evenly around the moulded part at the H / adaptor end to enable the part to recover evenly and prevent scorching.

ELE-3COP-607

Title – Application of Hot Melt Adhesive Tapes.



Ensure the part is fully recovered onto the adaptor. This should take approximately 30 seconds for mid-range parts.

For S1048 tape only after the part has been fully recovered onto the adaptor, apply 120 seconds of post heat evenly around the moulded part at the H / adaptor end to ensure the adhesive flows and achieves maximum bonding performance. Look for evidence that adhesive is present. Take care not to scorch the moulded part.



Continue heating along the moulded part recovering the J end onto the cable.

Heat must be applied evenly around the moulded part at the J end to enable the part to recover evenly and prevent scorching.

Ensure the part is fully recovered onto the cable. This should take approximately 30 seconds

After the part has been fully recovered onto the cable, for S1048 tape only apply 120 seconds of post heat evenly around the moulded part at the J / cable end to ensure the adhesive flows and achieves maximum bonding performance.

Take care not to scorch the moulded part.

The flow of adhesive should be evident around the J / cable end.

ELE-3COP-607

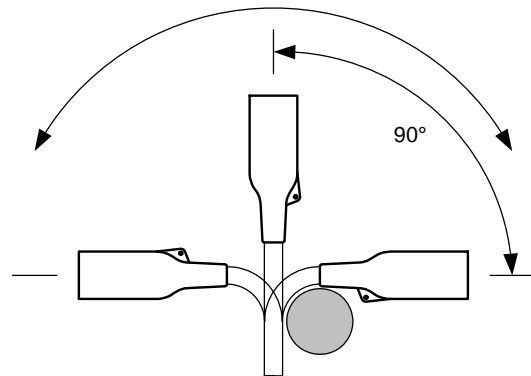
Title – Application of Hot Melt Adhesive Tapes.



Allow to stand for 2 hrs before any aggressive handling

6 Inspection Requirements

The termination should be rotated so it is subjected to a flex test of 90° in each of four planes around a mandrel with a diameter equal to 6 x the cable diameter.



There should be no separation between the moulded part J end and cable jacket at the adhesive bond line.

The Moulded Part must be free from fingerprints and scorch marks.

ELE-3COP-607

Title - Application of Hot Melt Adhesive Tapes.

7 Visual Standards



ACCEPTABLE
S1030, /180



NOT ACCEPTABLE
insufficient adhesive flow S1030, /180



NOT ACCEPTABLE
Excess adhesive flow S1030, /180



ACCEPTABLE
S1048, /86, S1017, /42



NOT ACCEPTABLE
Insufficient adhesive flow
S1048, /86, S1017, /42



NOT ACCEPTABLE
Excess adhesive flow
S1048, /86, S1017, /42



ELE-3COP-607

Title - Application of Hot Melt Adhesive Tapes.

Rev No	CR No	Date	Raised	Approved
3	CR06-DM-071	04/05/06	John Cronin	Ken Wallington
4	CR09-DM-018	05/02/09	Paul Newman	Neil Dorricott
5	Visual Identity	07/06/11	Paul Newman	Neil Dorricott
6	S1112 - S1017	28/01/14	John Cronin	Frederik Morel

All of the above information is believed to be reliable. Users, however, should independently evaluate the suitability of each product for their application. TE makes no warranties as to the accuracy or completeness of the information and disclaims any liability regarding its use. TE's only obligations are those in the Standard Terms and Conditions of Sale for these products and in no case will TE be liable for any incidental/ indirect or consequential damages arising from the sale, resale, use or misuse of the product. TE Specifications are subject to change without notice. In addition TE reserves the right to make changes in materials or processing, without notification to the Buyer, which do not affect compliance with any applicable specification.