

ABOUT RVDT'S AND RVIT'S

RVDTs are Rotary Variable Differential Transformers. They are non-contact, absolute angular position sensors based on the same principle as their linear equivalent, the LVDT. They include a rotor and a stator both made of ferromagnetic metal, but only the stator incorporates windings (one primary and two secondary).

RVITs are non-contact angular position sensors as well. Our proprietary design incorporates a set of printed circuit coils and electronic circuitry for signal conditioning. The light-weight aluminum rotor/spoiler allows superior response while maintaining a low moment of inertia.

TE Connectivity offers a full range of LVDTs as well as other position sensors, signal conditioners, and many other types of sensors. Data sheets, application notes and manuals can be downloaded from our web site at:

<http://www.te.com/usa-en/products/sensors.html>



MATING CONNECTOR FOR THE R36AS RVDT

Description: Bendix-type PT06A-10-6S (SR)
Part Number: 62101011-000

Please contact the factory for mating plugs installed on cables of your desired lengths. We can also provide cables with custom lengths for interfacing this RVDT with our signal conditioners. Our cables are shielded and designed for optimum performance of our sensors and signal conditioners under industrial environments.



R-FLEX™ MULTIPURPOSE COUPLING

The R-Flex coupling is a versatile, easily installed rotary sensor coupling that corrects for most types of rotary sensor shaft misalignment. Four (4) provided bushings allow mating the sensors with five (5) different shaft diameters.

Part Number: 66530072-000

For detailed information on this device, please download the data sheet at:

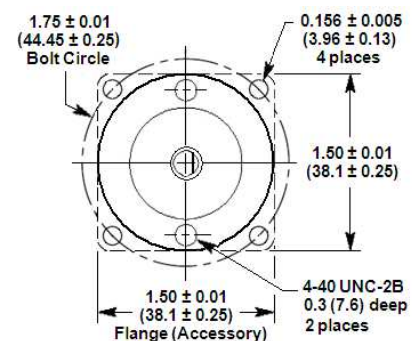
<http://www.te.com/usa-en/product-CAT-RVDT0006.html#mdp-tabs-content>



FLANGE MOUNTING KIT FOR RVIT 15-60 AND 15-120I

This kit allows installing these RVITs on a bulkhead with four mounting holes. The flange installs onto the front face of the RVIT using two provided chamfer head screws. It is made of 6061-T6 Aluminum alloy with an anodize finish.

Part Number: 04180029-001



PSD 40-15 DUAL RAIL POWER SUPPLY FOR DC LVDT'S

The PSD 40-15 power supply is designed for optimum operation of our DC LVDTs with voltage, current or digital outputs. The supply voltage is $\pm 15\text{VDC}$ with 85 to 264 Volts AC, 45 to 65 Hertz line input. The current capability is 1A continuous and it can therefore operate multiple sensors. This DIN standard rail mount power supply is CE certified and UL listed.



Part Number: 02291339-000

Refer to the data sheet for detailed information on this product at:
<http://www.te.com/usa-en/product-CAT-PSI0009.html>

INSTRUMENTATION FOR AC LVDT'S

TE Connectivity offers a comprehensive selection signal conditioners, panel displays and mini-controllers with voltage, current loop and digital outputs. These products are suitable for the most rigorous OEM, factory automation, process controls, materials testing, metrology and many other applications.

Data sheets and manuals can be downloaded from our web site at:
<http://www.te.com/usa-en/products/sensors/position-sensors/signal-conditioning-lvdt-rvdt.html?tab=pgp-story>



NORTH AMERICA

Measurement Specialties, Inc.,
 a TE Connectivity Company
 1000 Lucas Way
 Hampton, VA 23666
 United States
 Phone: +1-800-745-8008
 Fax: +1-757-766-4297
 Email: customercare.hmpt@te.com

EUROPE

MEAS Deutschland GmbH
 a TE Connectivity Company
 Hauert 13
 D-44227 Dortmund
 Germany
 Phone: +49-(0)231-9740-0
 Fax: +49-(0)231-9740-20
 Email: customercare.dtmd@te.com

ASIA

Measurement Specialties China Ltd.,
 a TE Connectivity Company
 No. 26, Langshan Road
 High-tech Park (North)
 Nanshan District, Shenzhen 518057
 China
 Phone: +86-755-33305088
 Fax: +86-755-33305099
 Email: customercare.shzn@te.com

te.com/sensorsolutions

Measurement Specialties, Inc., a TE Connectivity company.

Measurement Specialties (MEAS), American Sensor Technologies (AST), TE Connectivity, TE Connectivity (logo) and EVERY CONNECTION COUNTS are trademarks. All other logos, products and/or company names referred to herein might be trademarks of their respective owners.

The information given herein, including drawings, illustrations and schematics which are intended for illustration purposes only, is believed to be reliable. However, TE Connectivity makes no warranties as to its accuracy or completeness and disclaims any liability in connection with its use. TE Connectivity's obligations shall only be as set forth in TE Connectivity's Standard Terms and Conditions of Sale for this product and in no case will TE Connectivity be liable for any incidental, indirect or consequential damages arising out of the sale, resale, use or misuse of the product. Users of TE Connectivity products should make their own evaluation to determine the suitability of each such product for the specific application.

© 2016 TE Connectivity Ltd. family of companies All Rights Reserved.