

EZ-TREADLE FIBER OPTIC SENSOR INSERT

SPECIFICATIONS

- ◆ Available in a variety of lengths and widths
- ◆ Strong, lightweight insert for ease of installation
- ◆ Sensors pre-embedded into insert at factory for highest reliability
- ◆ Easily manufactured with 1-4 sensors to meet existing system requirements
- ◆ Long lifetime (> 5 years or 25 million axle counts)
- ◆ Used for toll road plaza axle detection

FEATURES

- ◆ Standard warranty of 3 years or 10 million axles, whichever comes first
- ◆ Light-weight material ~ 29 kg/ square meter
- ◆ Custom lengths, widths, and sensor configurations available with detailed measurements
- ◆ Easily replaces mechanical based treadles while using same treadle bed and bolt holes
- ◆ Output via a Sensor Line analog or digital Optical Transmittance Analyzer (MA-110, 210, 310 or MD 220).
- ◆ Immune to electro-magnetic disturbances, corrosion, and lightning
- ◆ Sensor and frame design insures sensitivity to vertical pressure only
- ◆ Strips individually replaceable on site

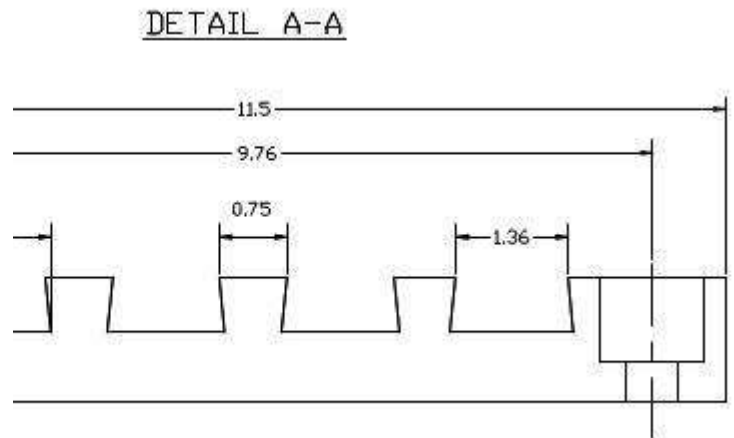
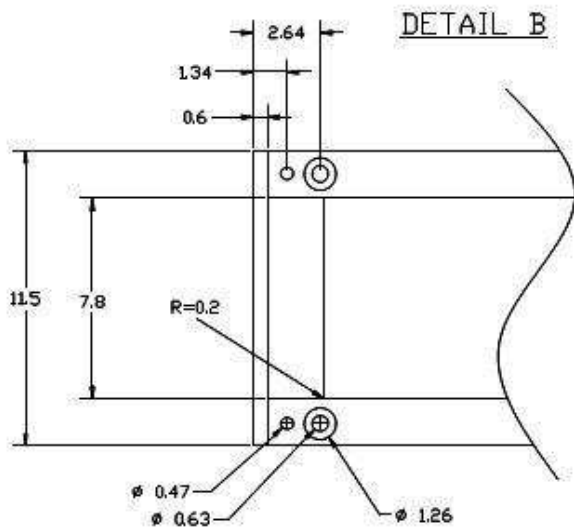
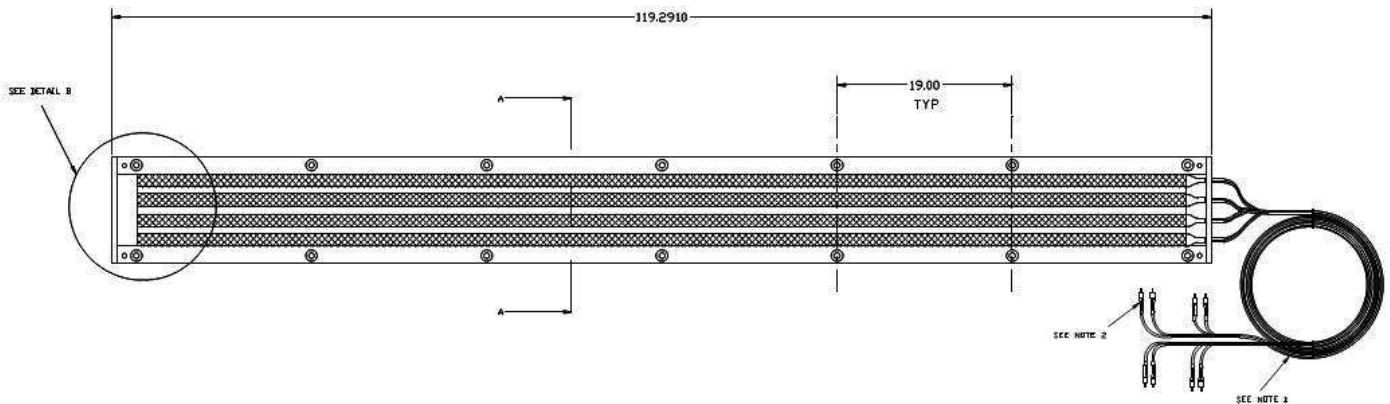
The fiber treadle insert offered by Measurement Specialties, Inc. is a compatible fiber optic sensor solution for conventional steel treadle frames. Techniques have been developed to install the sensor directly into the road, yet still have it fully replaceable.

Designed specifically for the toll industry to be installed in high volume toll lanes and high-speed lanes, the Sensor Line EZ-Treadle fiber optic sensors offer unmatched reliability and longevity while matching the accuracy of today's best toll treadle solutions. Combined with Sensor Line's state of the art interface board, the fiber optic sensors can be seamlessly integrated into any lane hardware system with no modifications.

The fiber treadle insert is made from an industry proven hard polymer material making it much lighter and easier to install than conventional treadle inserts. The fiber treadle insert has the capacity for 1-4 fiber optic sensor strips allowing for compatibility with any existing system or for any level of redundancy. The fiber optic sensors are embedded into the insert at the factory to reduce the installation time and increase the overall reliability of the treadle system.

EZ-TREADLE FIBER OPTIC SENSOR INSERT

MECHANICAL DIMENSIONS in inches (mm) [example, actual dimensions are customizable]



NOTES:

1. FIBER OPTIC FEEDER CABLE, 15M PER SENSOR
2. 8 X PLASTIC FSMA CONNECTORS MODEL NO. SL 4430-C

PERFORMANCE SPECIFICATIONS

Mechanical	
Insert Length	Multiple lengths available
Insert Width	Multiple widths available
Insert Depth	Typical 1.77" (45 mm)
Active Sensor Length	Treadle dependent
Connections	FSMA Plastic SL 4430-C
Performance	
Storage Temperature Range	-40 to 85 °C
Operating Temperature Ranger	-30 to 85 °C
Minimum Calculated MTBF of Sensors	5 years
Minimum # of Load Cycles for Sensors	Tested to 25 million without failure
Sensitivity of Sensors	10% typical light loss – car axle

NORTH AMERICA

Measurement Specialties, Inc.,
a TE Connectivity Company
Phone +1-800-522-6752
Email: customercare.hmpt@te.com

ASIA

Measurement Specialties (China), Ltd.,
a TE Connectivity Company
Phone: +86-400-820-6015
Email: customercare.chdu@te.com

TE.com/sensorsolutions

Measurement Specialties, Inc., a TE Connectivity company.

Accustar, American Sensor Technologies, AST, ATEXIS, DEUTSCH, IdentiCal, TruBlue, KPSI, Krystal Bond, Microfused, UltraStable, Measurement Specialties, MEAS, Schaevitz, TE Connectivity, TE, and the TE connectivity (logo) are trademarks of the TE Connectivity Ltd. family of companies. Other logos, product and company names mentioned herein may be trademarks of their respective owners.

The information given herein, including drawings, illustrations and schematics which are intended for illustration purposes only, is believed to be reliable. However, TE Connectivity makes no warranties as to its accuracy or completeness and disclaims any liability in connection with its use. TE Connectivity's obligations shall only be as set forth in TE Connectivity's Standard Terms and Conditions of Sale for this product and in no case will TE Connectivity be liable for any incidental, indirect or consequential damages arising out of the sale, resale, use or misuse of the product. Users of TE Connectivity products should make their own evaluation to determine the suitability of each such product for the specific application.