

THIS DRAWING IS UNPUBLISHED.

RELEASED FOR PUBLICATION
ALL RIGHTS RESERVED.

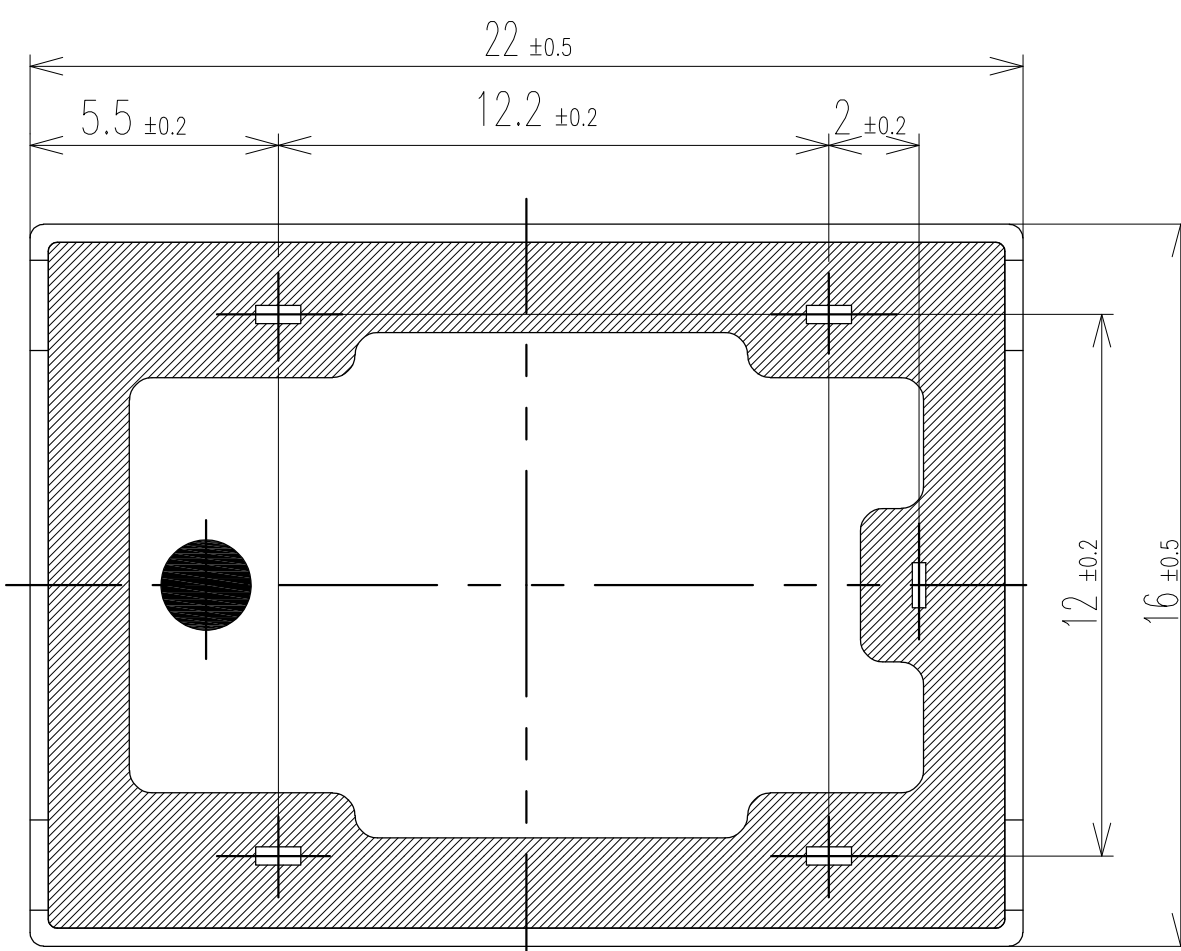
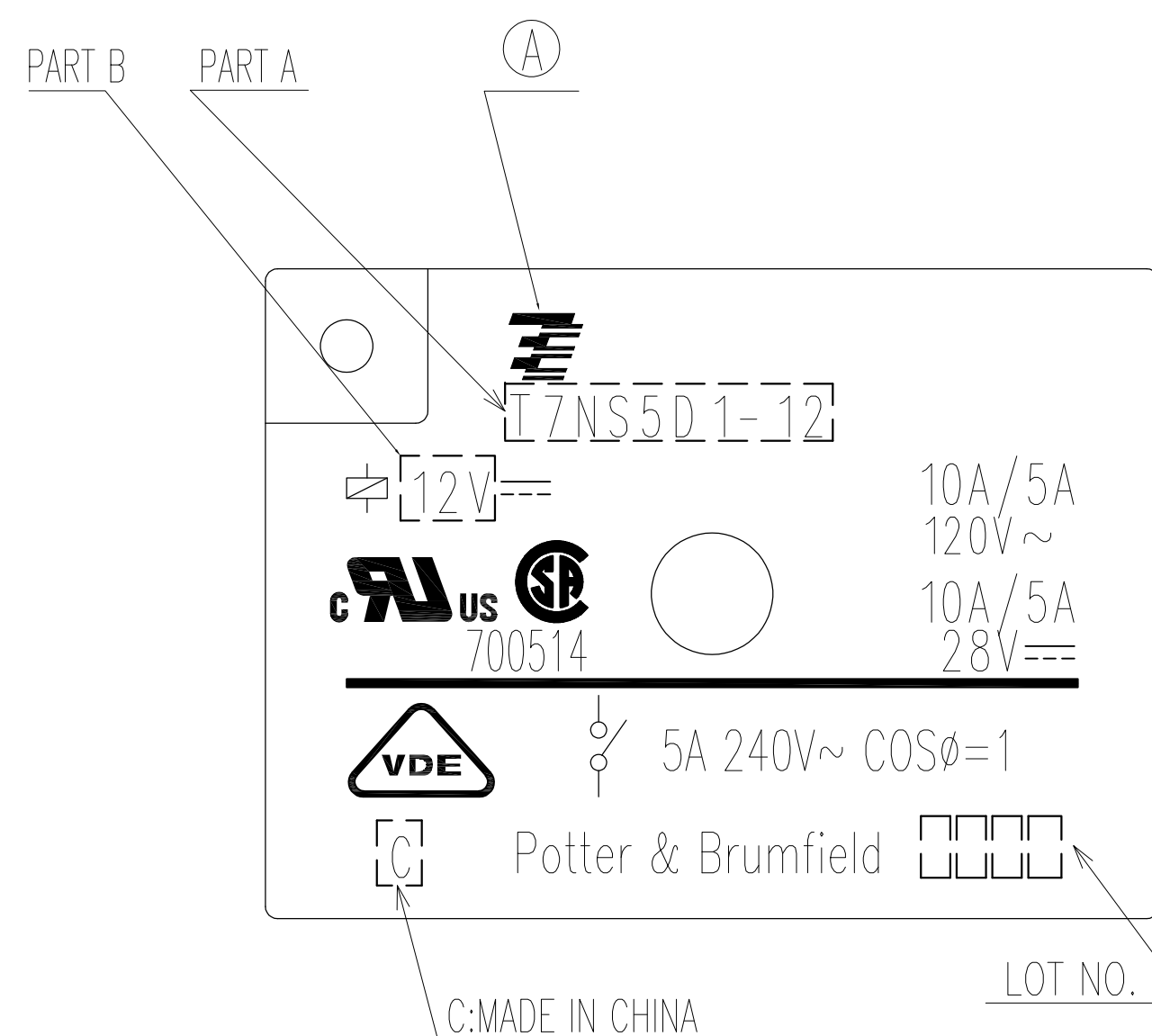
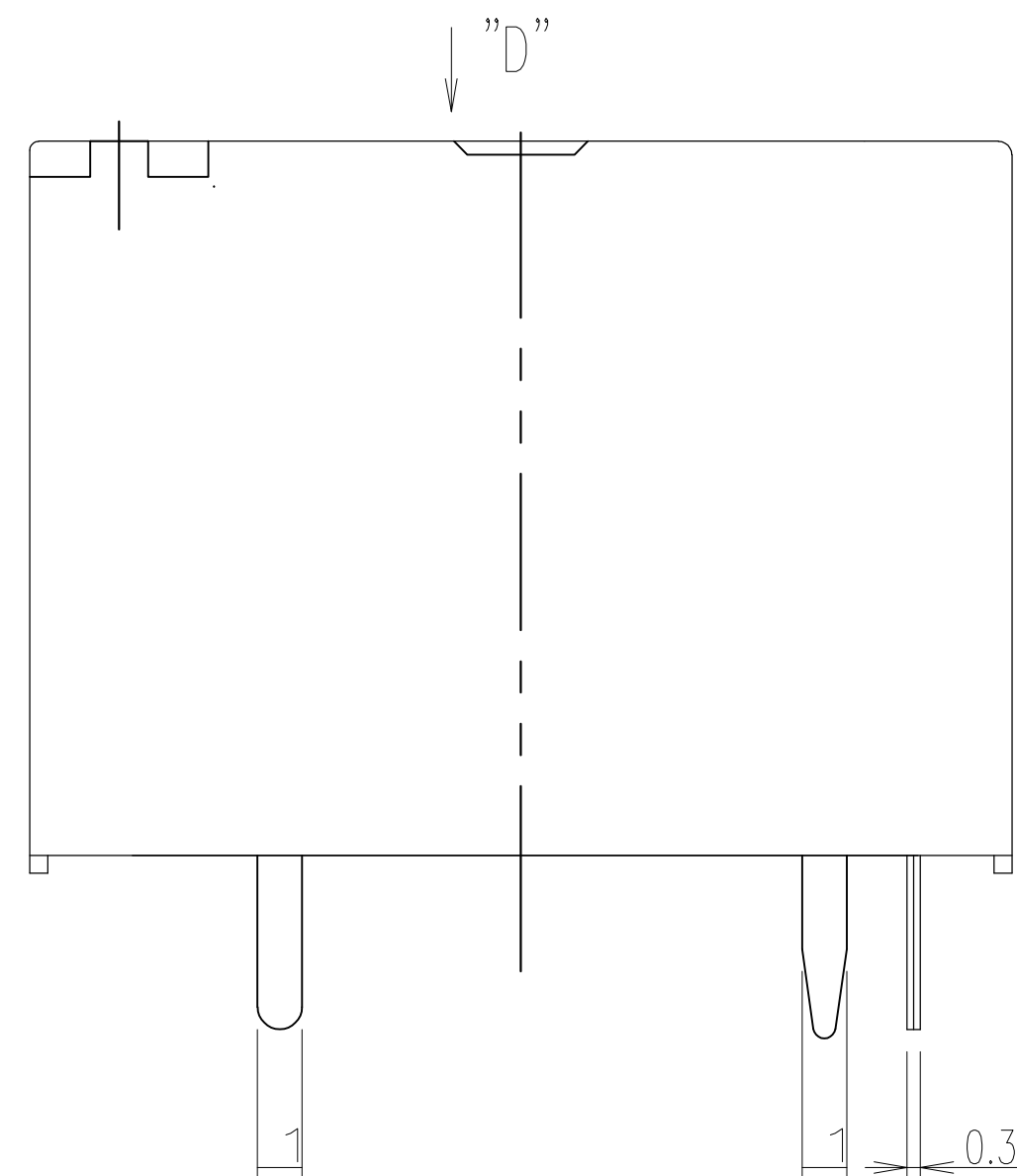
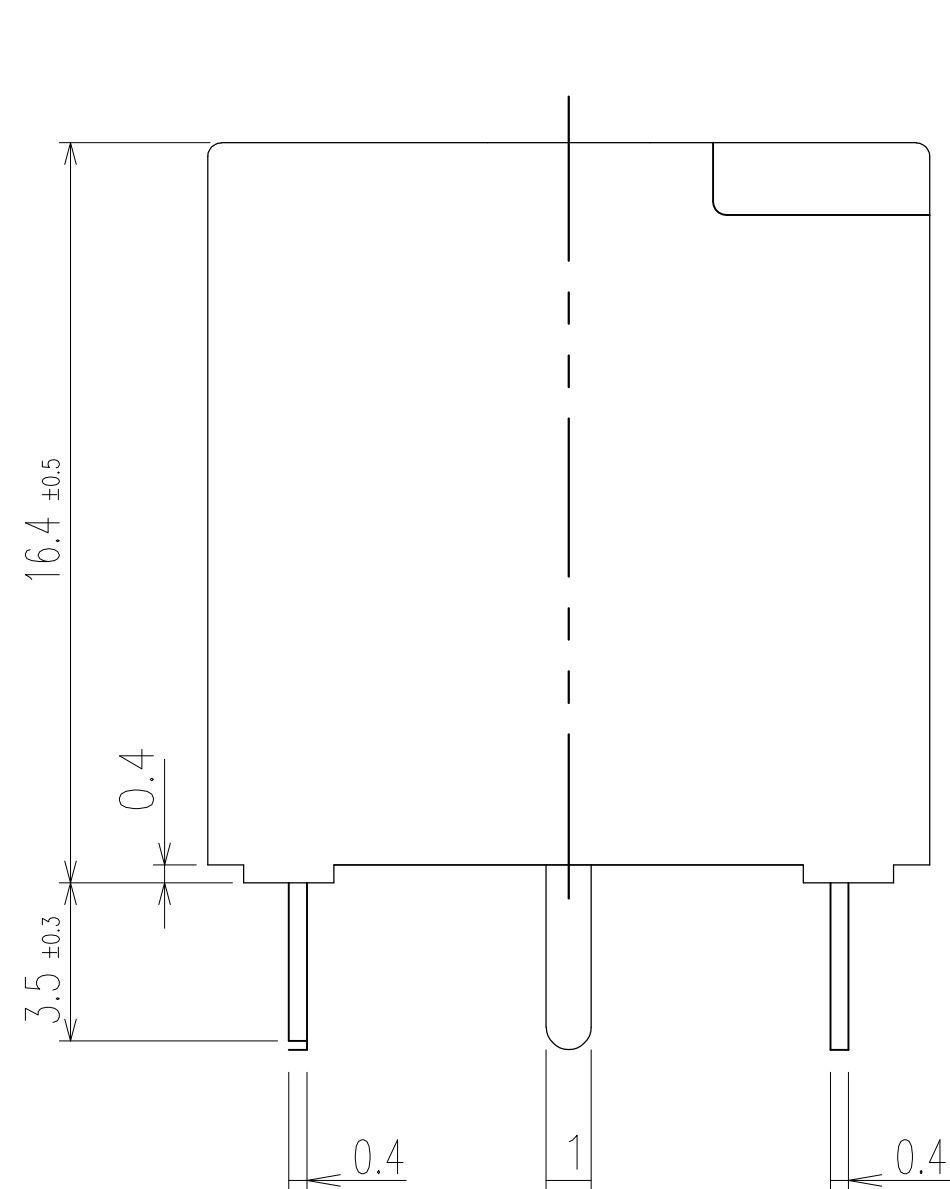
© COPYRIGHT

LOC
HB

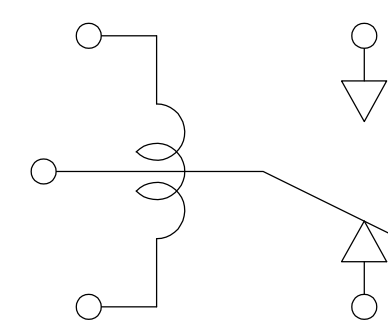
DIST

REVISIONS

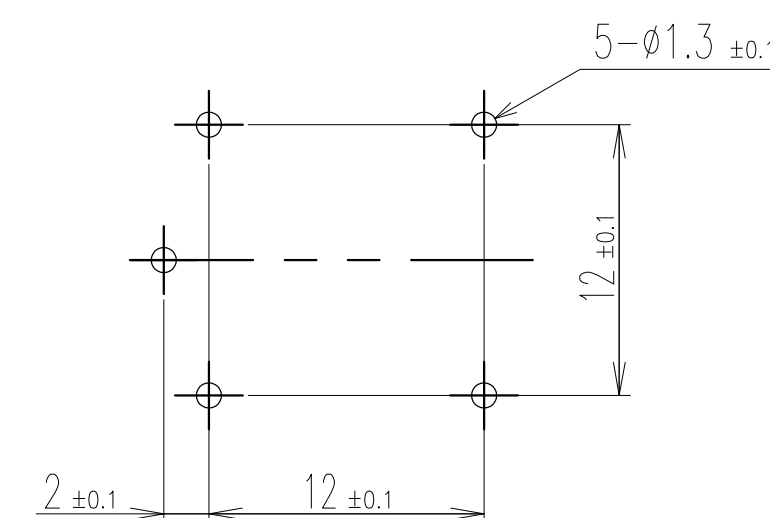
P	LTR	DESCRIPTION	DATE	DWN	APVD
	A2	REVISED PER ECO-11-005140	29MAR11	RK	HMR



CIRCUIT DIAGRAM (BOTTOM VIEW)



DRILLING DIAGRAM (BOTTOM VIEW)



NOTES:
1: Terminal dimension is before solder dip.

Diagram dimension	Tolerance
0.99mm max.	±0.1mm
1 - 2.99mm	±0.2mm
3mm min.	±0.3mm

DIMENSIONS: mm	TOLERANCES UNLESS OTHERWISE SPECIFIED: 0 PLC 1 PLC 2 PLC 3 PLC 4 PLC ANGLES	DWN	H.SASAKI		NAME	
		CHK	N.FUNAYAMA			
MATERIAL	FINISH	APVD	A.NAGAI			T7NS5D1-03 PRODUCT DRAWING
		PRODUCT SPEC				
		APPLICATION SPEC		SIZE	A3	
		WEIGHT		CAGE CODE	00779	
		CUSTOMER DRAWING		DRAWING NO	C= 1-1393186-0	
				RESTRICTED TO		
				SCALE	4:1	
				SHEET	1 OF 2	
				REV	A2	

4

3

2

1

THIS DRAWING IS UNPUBLISHED.

RELEASED FOR PUBLICATION

© COPYRIGHT

ALL RIGHTS RESERVED.

LOC
HB


DIST

REVISIONS

P	LTR	DESCRIPTION	ECN	DATE	DWN	APVD

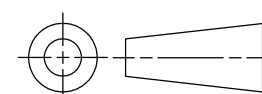
	ACTIVE	2-1393186-0	T7NS5D1-48	48V	T7NS5D1-48	j
	ACTIVE	1-1393186-9	T7NS5D1-36	36V	T7NS5D1-36	i
	ACTIVE	1-1393186-8	T7NS5D1-24	24V	T7NS5D1-24	h
(A1)	OBSOLETE	1-1393186-7	T7NS5D1-22	22V	T7NS5D1-22	g
(A1)	OBSOLETE	1-1393186-6	T7NS5D1-18	18V	T7NS5D1-18	f
	ACTIVE	1-1393186-5	T7NS5D1-12	12V	T7NS5D1-12	e
	ACTIVE	1-1393186-3	T7NS5D1-09	9V	T7NS5D1-09	d
	ACTIVE	1-1393186-2	T7NS5D1-06	6V	T7NS5D1-06	c
	ACTIVE	1-1393186-1	T7NS5D1-05	5V	T7NS5D1-05	b
(A1)	OBSOLETE	1-1393186-0	T7NS5D1-03	3V	T7NS5D1-03	a
	STATUS	PART NO	TYPE NAME	PART B	PART A	ITEM

RELAY TYPE

DWN					
CHK					
APVD		NAME			
PRODUCT SPEC		T7NS5D1-03 PRODUCT DRAWING			
APPLICATION SPEC		RESTRICTED TO			
MATERIAL		SIZE	CAGE CODE	DRAWING NO	
FINISH		A3	00779	C= 1-1393186-0	
WEIGHT		CUSTOMER DRAWING		SCALE 4:1	SHEET 2 OF 2
				REV A2	

DIMENSIONS:

mm



TOLERANCES UNLESS OTHERWISE SPECIFIED:

- 0 PLC ±
- 1 PLC ±
- 2 PLC ±
- 3 PLC ±
- 4 PLC ±
- ANGLES ±

MATERIAL

FINISH

WEIGHT

CUSTOMER DRAWING

SCALE 4:1

SHEET 2 OF 2

REV A2