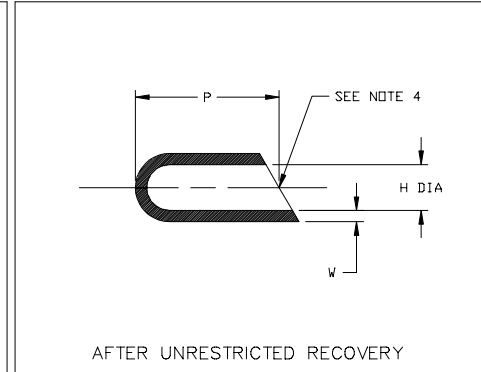
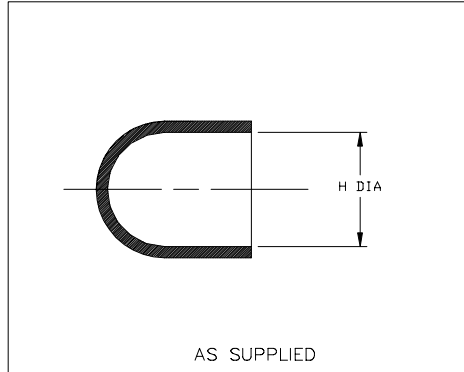


Thermofit[®] Molded Parts
 Specification Control Drawing
 Limited Distribution

Part Number : 101A021-25/225
 Description : Cap, Round End

NOTES

1. All dimensions are in $\frac{\text{inches}}{\text{[millimeters]}}$
2. Dimensions appearing in table are as follows:
 - a - As Supplied
 - b - After Unrestricted Recovery
3. Coating is optional. As supplied dimensions appearing in table are for uncoated parts. When coating is added, entry diameters will be reduced by .06 max.
4. Recovered parts may have angularity of 30° - 45°.



PART NUMBER	H		P	W
	Min	Max	Min	±20%
	a	b	b	b
101A021-25/225	.29 [7.4]	.13 [3.3]	1.00 [25.4]	.05 [1.27]

Raychem

RAYCHEM CORPORATION
 300 CONSTITUTION DRIVE
 MENLO PARK, CALIFORNIA 94025

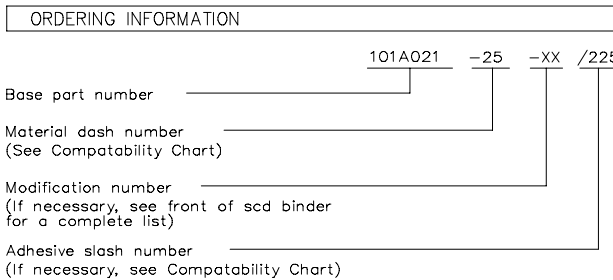
Revision : A
 Date : 6/25/97

Part Number : 101A021-25/225
 Description : Cap, Round End

Thermofit[®] Molded Parts
 Specification Control Drawing
 Limited Distribution

Part Number : 101A021-25/225
 Description : Cap, Round End

COMPATABILITY CHART					
MATERIAL DASH NO.	MATERIAL DESCRIPTION	RT SPEC	COATING SLASH NO.	COATING S NO.	COATING DESCRIPTION
-25	Elastomer, Fluid Resistant	RT-1325	/225	N/A	Adhesive



THIS DRAWING IS SUBJECT TO CHANGE WITHOUT NOTICE; CONSULT YOUR NEAREST FIELD REPRESENTATIVE FOR CURRENT REVISION

If this document is printed it becomes uncontrolled. Check for the latest revision.

Raychem

RAYCHEM CORPORATION
 300 CONSTITUTION DRIVE
 MENLO PARK, CALIFORNIA 94025

Revision : A
 Date : 6/25/97

Part Number : 101A021-25/225
 Description : Cap, Round End
 CAD FILE MP97111