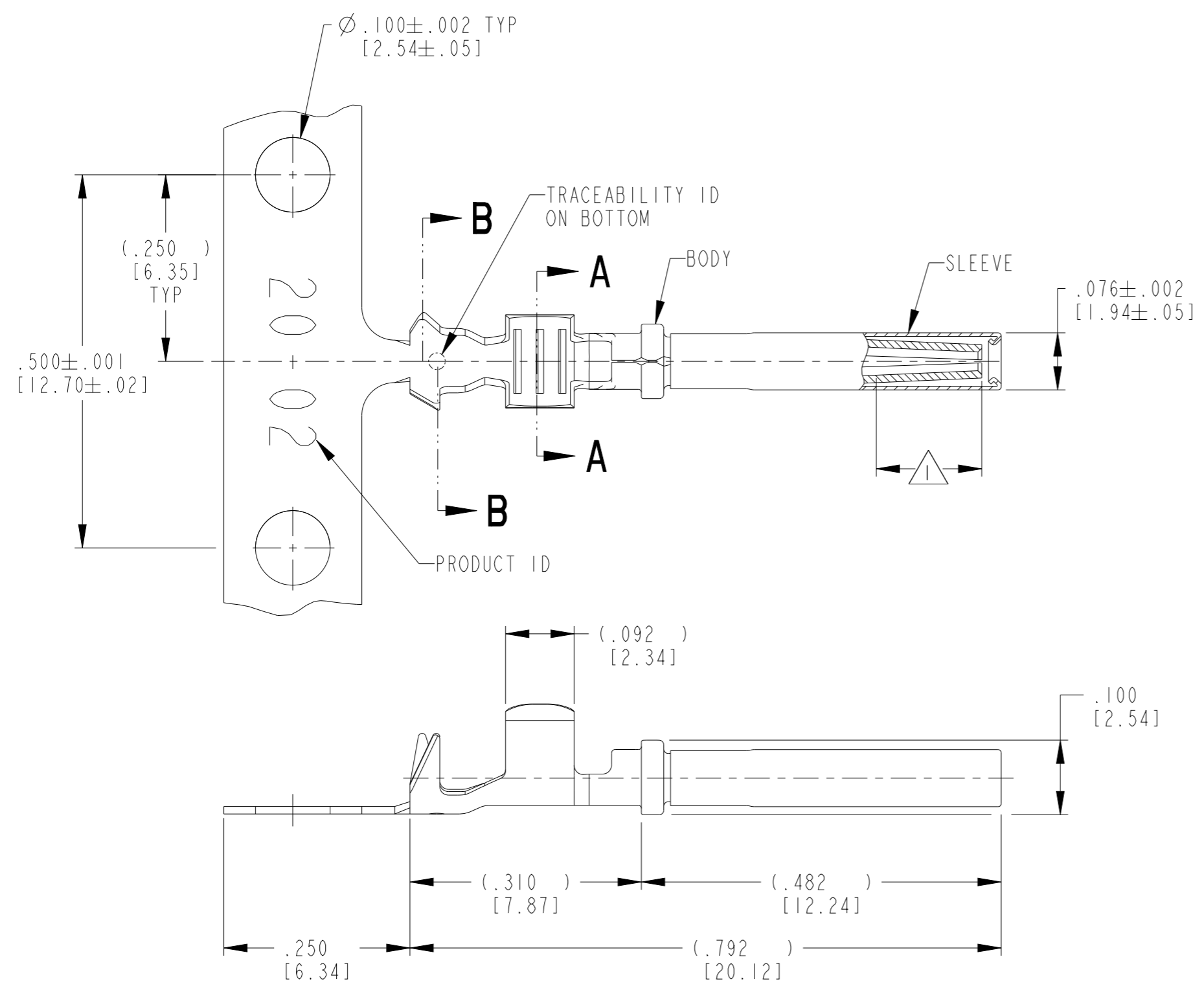
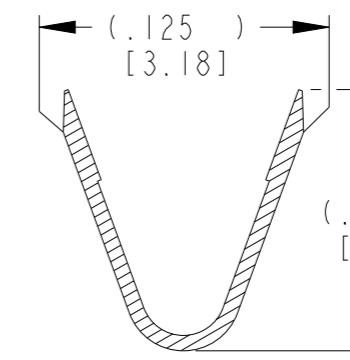
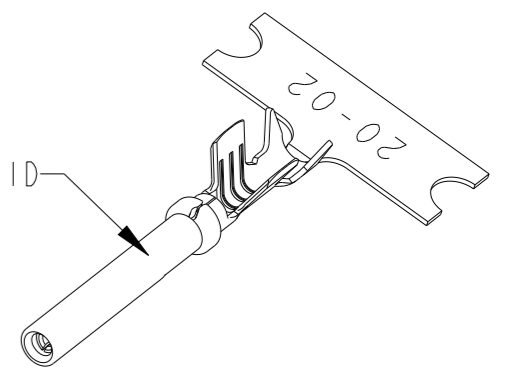


THIS DRAWING IS UNPUBLISHED. RELEASED FOR PUBLICATION 2018
 © COPYRIGHT 2018 BY - ALL RIGHTS RESERVED.

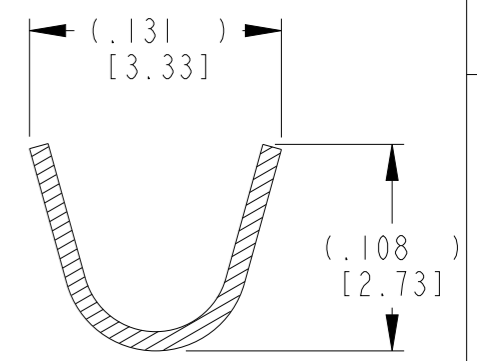
P	LTR	DESCRIPTION	DATE	DWN	APVD
	E	REVISED PER E.O. P20392	03DEC2009		RDR
	F	REVISED PER PCN :E-18-007949	23MAY2018	DD	DM
	FI	REVISED PER PCN-24-200133	18MAR2024	RK	CB



OPTIONAL TRACEABILITY ID LOCATED ON DIAMETER



SECTION A-A
WIRE BARREL



SECTION B-B
INSULATION BARREL

3 MATERIAL:
 BODY: .010 [0.25] THICK COPPER ALLOY
 SLEEVE: STAINLESS STEEL

2. WIRE RANGE: 22 AWG TO 16 AWG [0.35-1.5 mm²]
 INSULATION RANGE: Ø .051-.085 [Ø 1.30-2.16]

1 APPLIES ONLY TO SELECTIVE GOLD 1062-20-0244.
 INDICATED DIMENSION SHOWS GOLD PLATED AREA.

NOTES: UNLESS OTHERWISE SPECIFIED

THIS DRAWING IS A CONTROLLED DOCUMENT.	
DIMENSIONS: INCHES [mm]	TOLERANCES UNLESS OTHERWISE SPECIFIED:
	0 PLC ±
	1 PLC ±
	2 PLC ±
	3 PLC ±.025 [0.64]
	4 PLC ±
	ANGLES ±
MATERIAL	FINISH
3	SEE TABLE

DWN	J. APOSTOL	02DEC2009
CHK	D. MEYER	02DEC2009
APVD	R. REED	03DEC2009
PRODUCT SPEC	108-151000	
APPLICATION SPEC	114-151003	
WEIGHT	0.21 g	
CUSTOMER DRAWING		

TE INTERNAL PN	DEUTSCH PN	PLATING
1062-20-0222	1062-20-0222	NICKEL
1062-20-0244	1062-20-0244	SELECTIVE GOLD
1062-20-0277	1062-20-0277	TIN

STE TE Connectivity

NAME: STAMPED CONTACT SOCKET SIZE 20

SIZE	CAGE CODE	DRAWING NO	RESTRICTED TO
A3	4AFU8	1062-20-02XX	-

SCALE: 6:1 SHEET 1 OF 1 REV FI