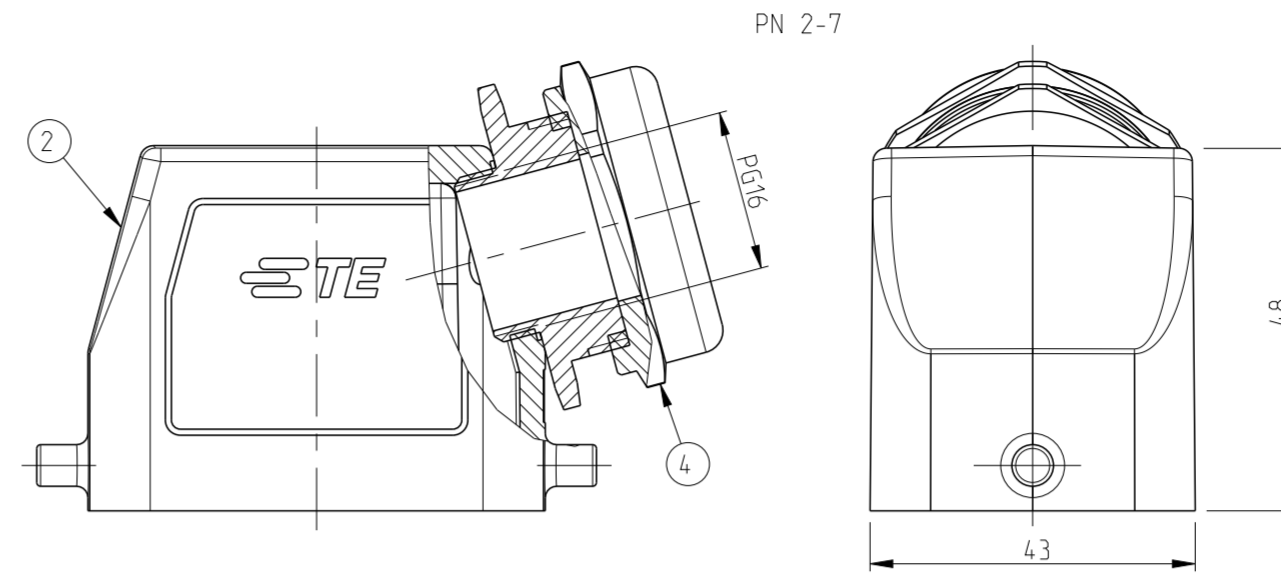
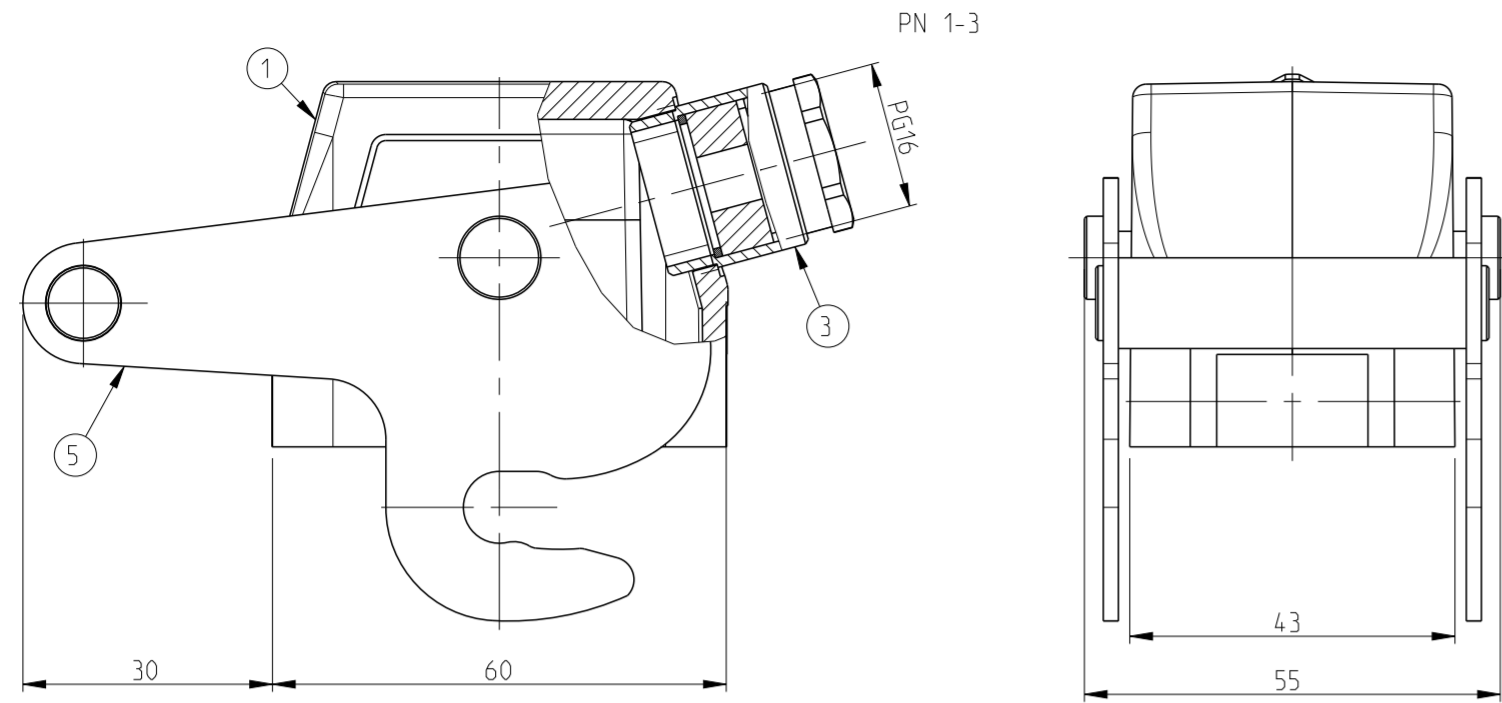
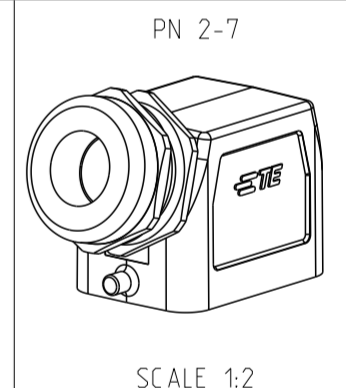
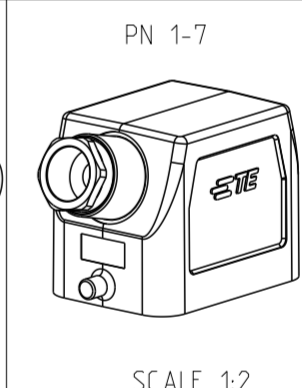
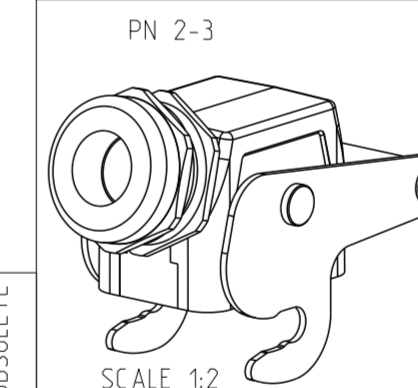
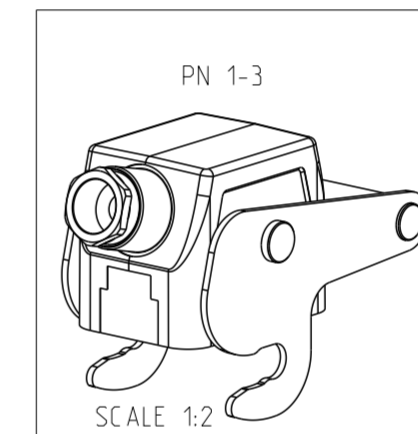
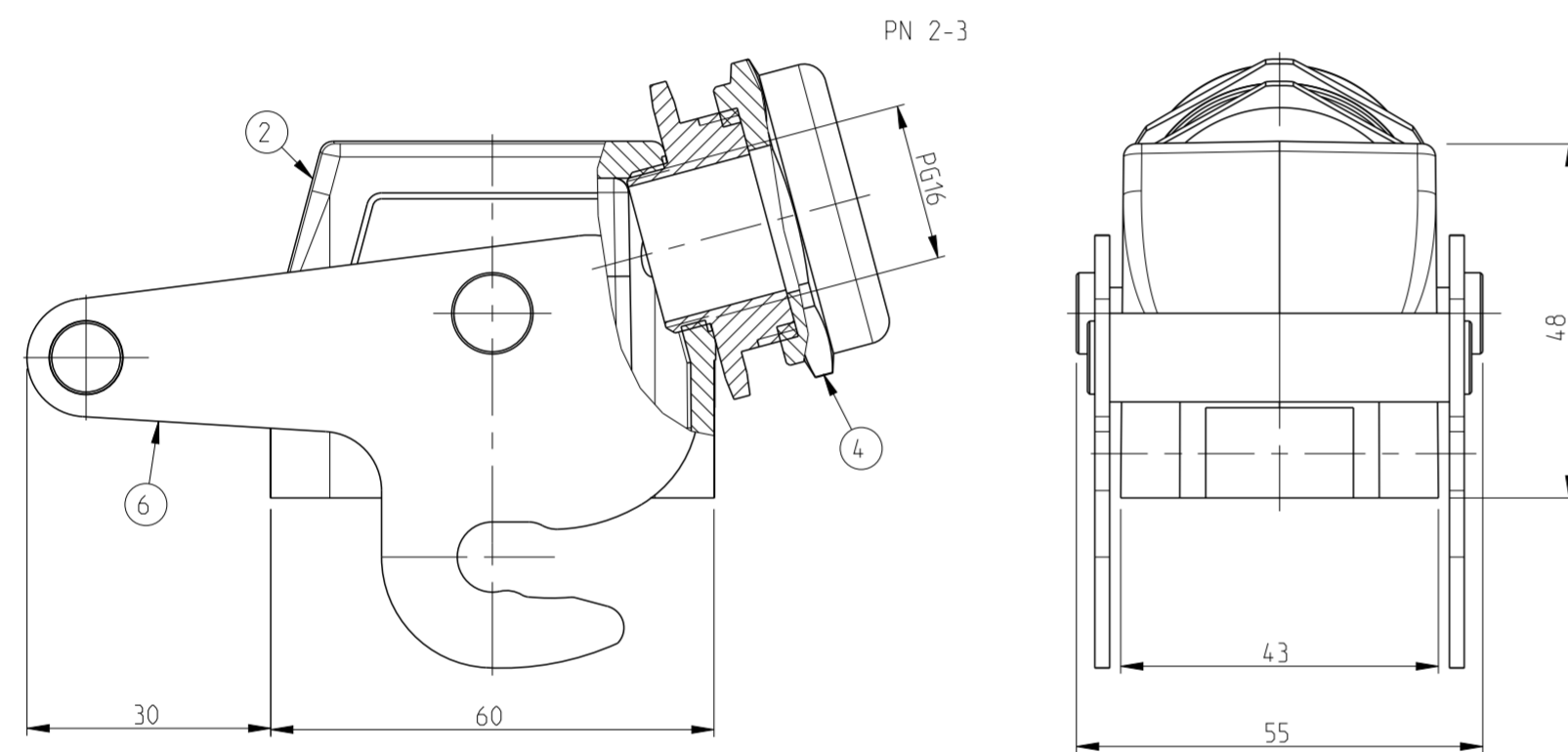


P	LTR	DESCRIPTION	DATE	DWN	APVD
B6		ECR-21-123293	18FEB2022	RK	JB



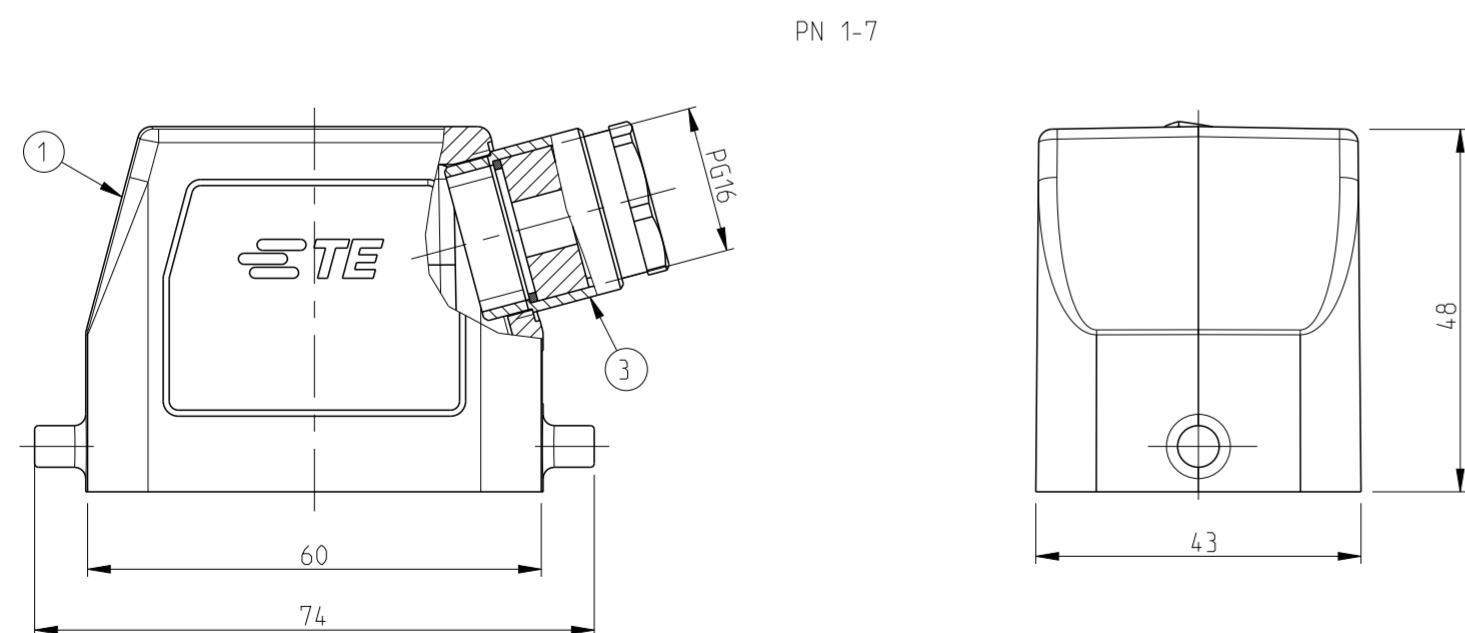
- Notes
- 1 Material: Housing: Aluminium diecasting alloy
 - 2 Surface:- Varnish-grey
-Aluminium oxide+
Varnish black
 - 3 Varnish on the inside not necessary
 - 4 Packaging
Packaging quantity: 5 pieces in a box
 - 5 OBSOLETE PARTS: OBSOLETE CIS STREAMLINING PER D.RENAUD/D.SINISI



5	OBSOLETE	OBSOLETE	OBSOLETE	DESCRIPTION	MATERIAL	SURFACE	COLOR	ITEM NO	NOTES
				ZB-Side clip	Staintees steel			6	
	1			ZB-Side clip	Steel	Zinc plated	Blue	5	
		1		Hat-Cable connection PG16	Brass	Nickel plated		4	
			1	PG-Gland fitting Pg21	Brass	Nickel plated		3	
			1	Hood HB6.Sts	Aluminium	Aluminium oxide	Black	2	
			1	Hood HB6.Sts	Aluminium	-	Grey	1	

ORDERING TEXT

HB-.6.Sts.1.16
 HB-K.6.Sts.1.16
 HB-Z.6.Sts-ZB.1.16
 HB-K/Z.6.Sts-ZB.1.16



THIS DRAWING IS A CONTROLLED DOCUMENT.

DWN Schneider 23.07.1997
 CHK Schweiger 23.07.1997
 APVD

STE TE Connectivity

NAME HOOD HB6

PRODUCT SPEC 108/74001/74003
 APPLICATION SPEC 114-74001/74004/74005

SIZE A2 CAGE CODE 100779 DRAWING NO C-1102238 RESTRICTED TO -

WEIGHT CUSTOMER DRAWING SCALE 1:1 SHEET 1 OF 1 REV B6

TOLERANCES UNLESS OTHERWISE SPECIFIED:
 0 PLC ±
 1 PLC ±
 2 PLC ±
 3 PLC ±
 4 PLC ±
 ANGLES ±
 FINISH