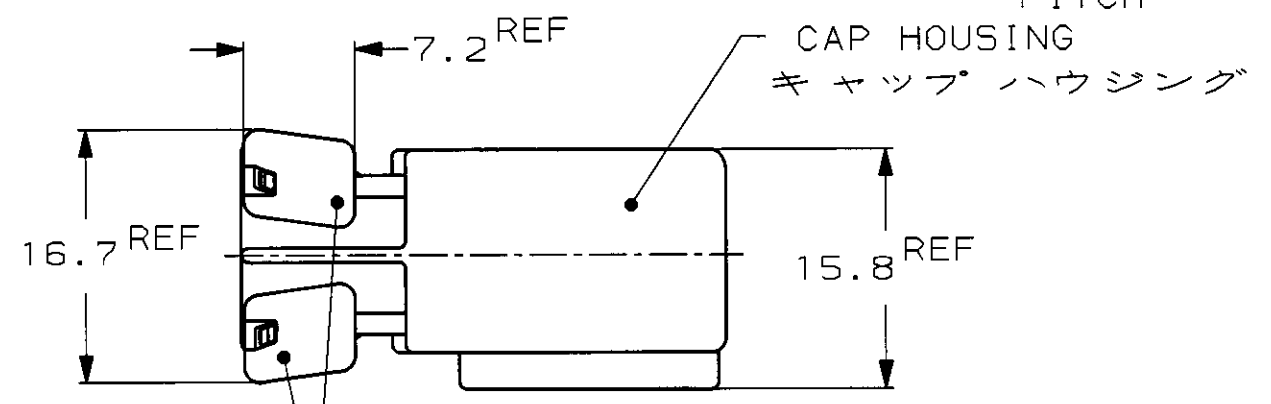
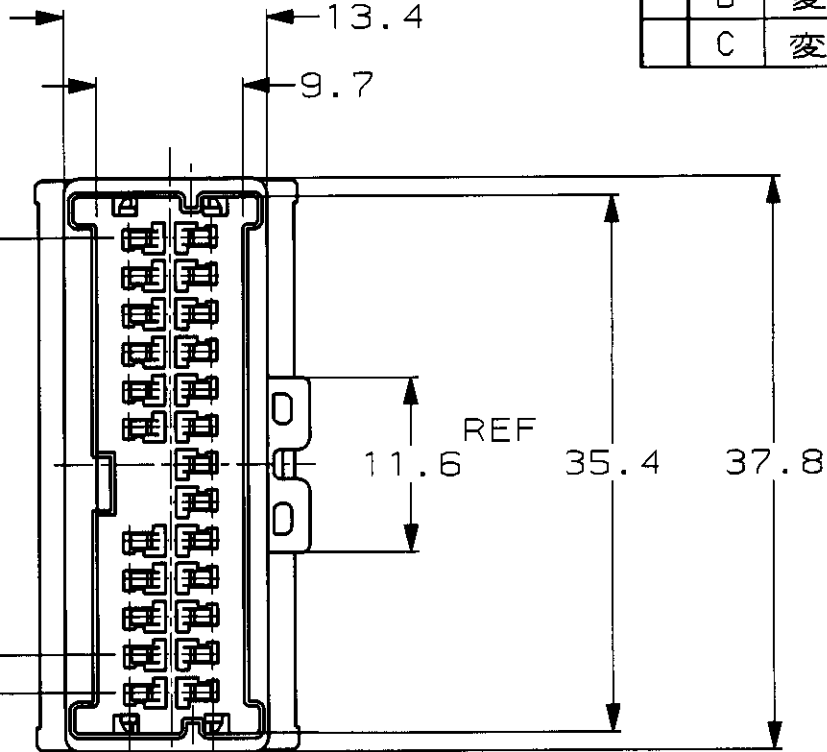
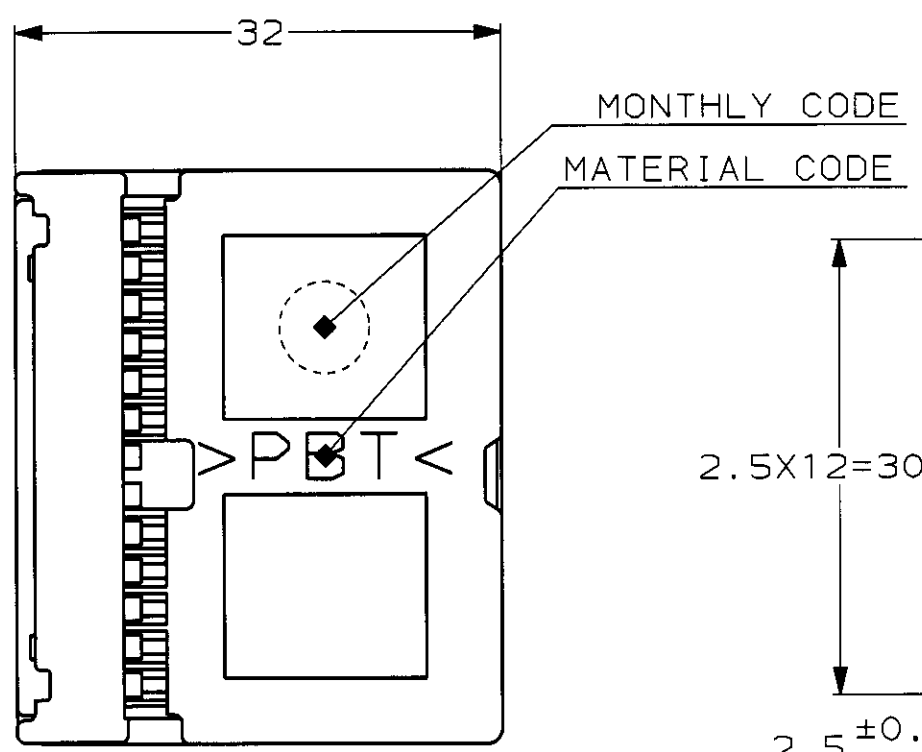
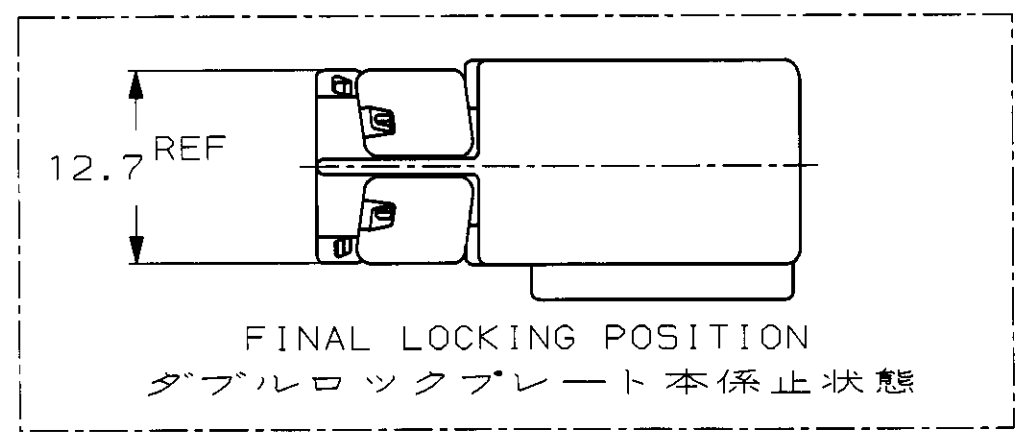


P	LTR	DESCRIPTION	ECN	DATE	DWN	APVD
	A	再作成 REDRAWN	FJ00-0506-98	10APR98	TM	MT
	B	変更 REVISED	FJ00-1797-99	29OCT99	KS	MT
	C	変更 REVISED	FJ00-2112-99	08DEC99	KS	MT



DOUBLE LOCK PLATE (NATURAL)
ダブルロックプレート (自然色)



1123393-6	353537-1 353537-2 (Au)	灰色 (GRAY)	1123369-6
嵌合相手ハウジング型番 MATING HOUSING PART NUMBER	適用端子型番 APPLICABLE CONTACT PART NUMBER	色 (COLOR)	型番 PART NUMBER
<small>THIS DRAWING IS A CONTROLLED DOCUMENT FOR AMP INCORPORATED. IT IS SUBJECT TO CHANGE AND THE CONTROLLING ENGINEERING ORGANIZATION SHOULD BE CONTACTED FOR THE LATEST REVISION.</small>		<small>OWN 08APR98 CHK T. MINEMATSU E. SASAKI APVD 10APR98 M. TSUKAKOSHI</small>	
<small>DIMENSIONS 単位: 概 mm</small>		<small>TOLERANCES UNLESS OTHERWISE SPECIFIED</small>	
		<small>一般公差 10% : ±0.2 30% : ±0.25 100% : ±0.3 ANGLE : ±0.3°</small>	
<small>MATERIAL 材料 PBT</small>		<small>FINISH 仕上</small>	
<small>WEIGHT 8.9g</small>		<small>NAME 040III MULTILOCK CONNECTOR 24POSITION CAP HOUSING ASSEMBLY (WIRE TO WIRE) 040III マルチロック コネクタ 24極 キャップハウジング アッセンブリ (対電線用)</small>	
<small>APPLICATION SPEC 取付適用規格 114-5228</small>		<small>SIZE CAGE CODE DRAWING NO A3 00779 C= 1123369</small>	
<small>CUSTOMER DRAWING</small>		<small>RESTRICTED TO</small>	
<small>SCALE 2:1</small>		<small>SHEET 1 OF 1 REV C</small>	