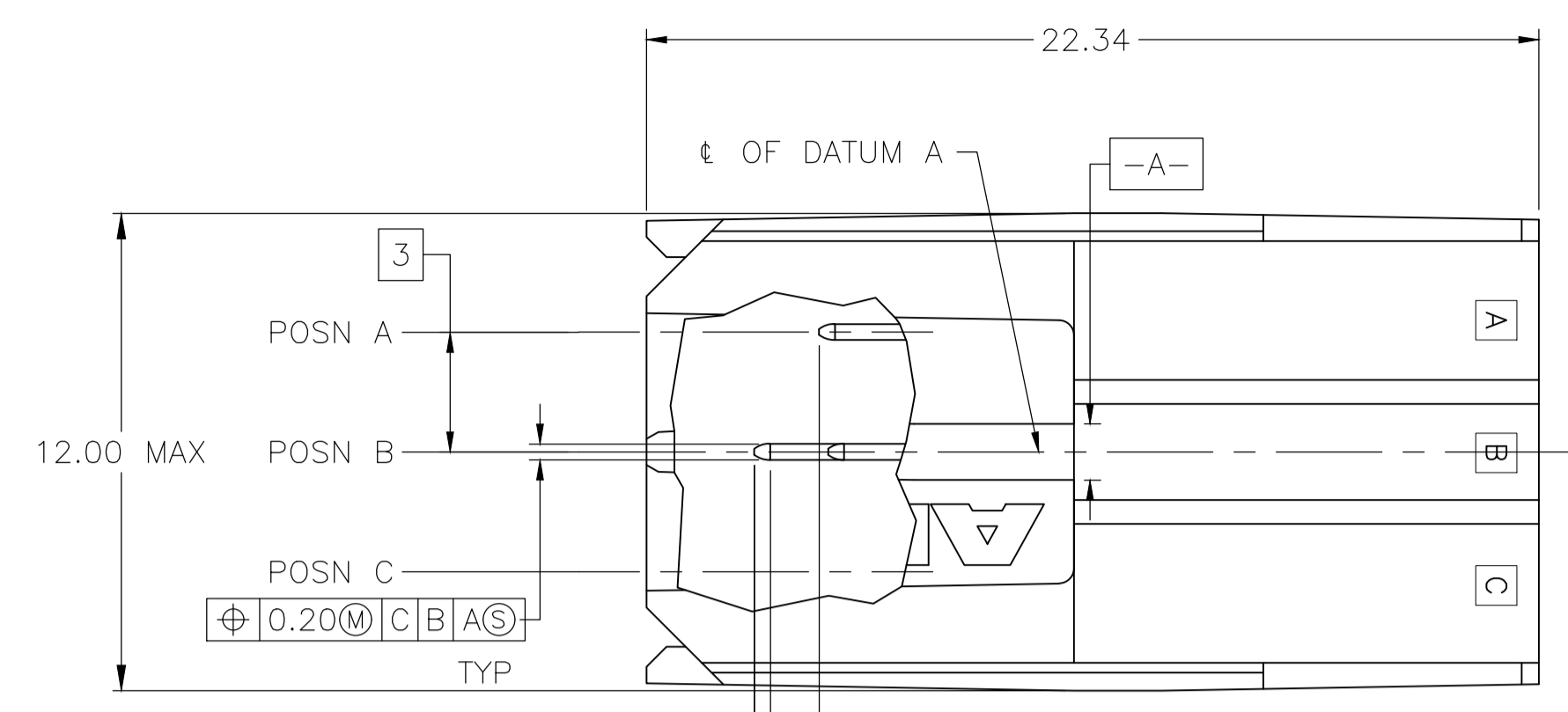
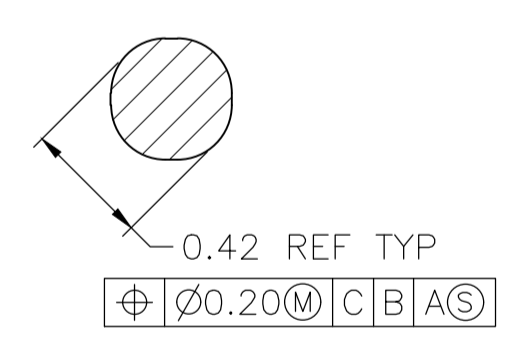
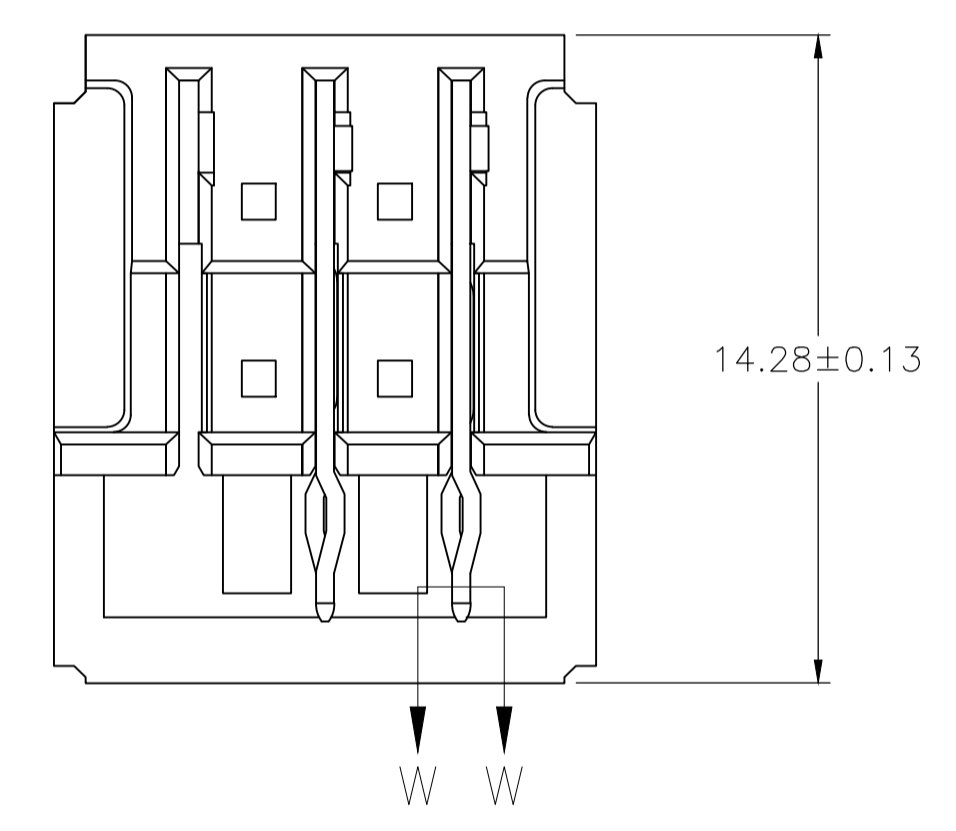
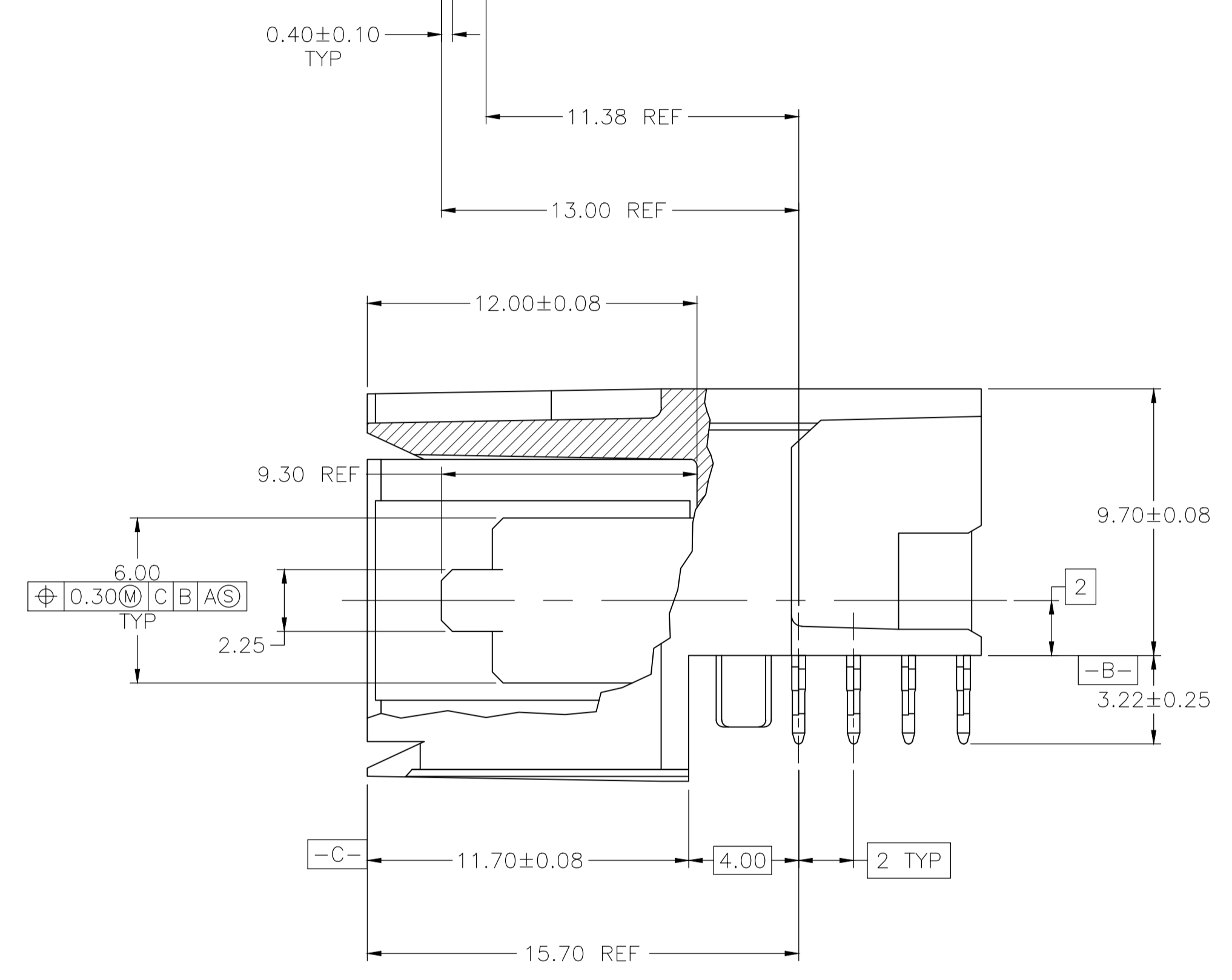
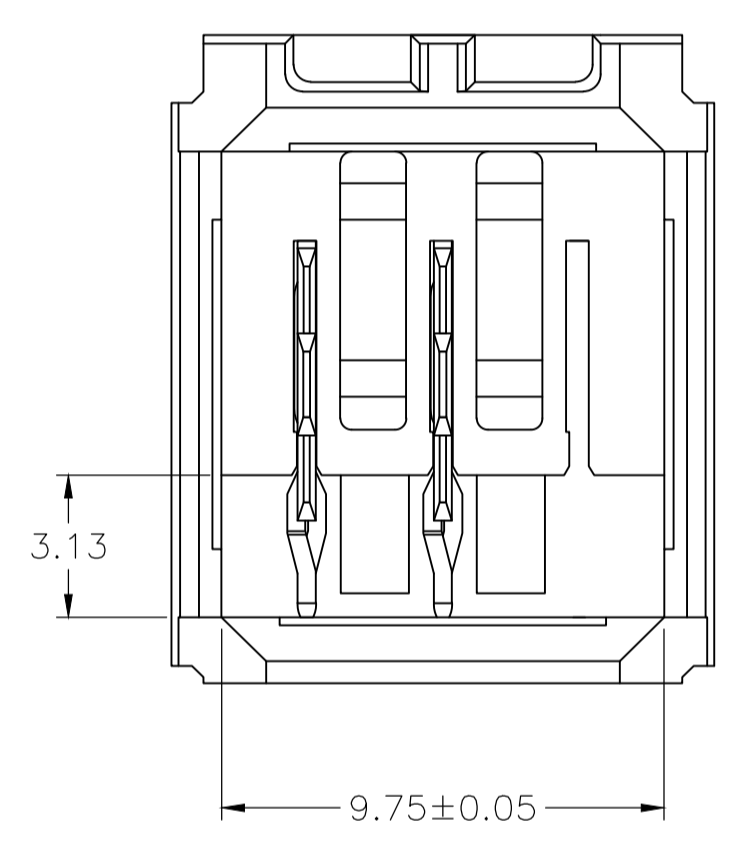


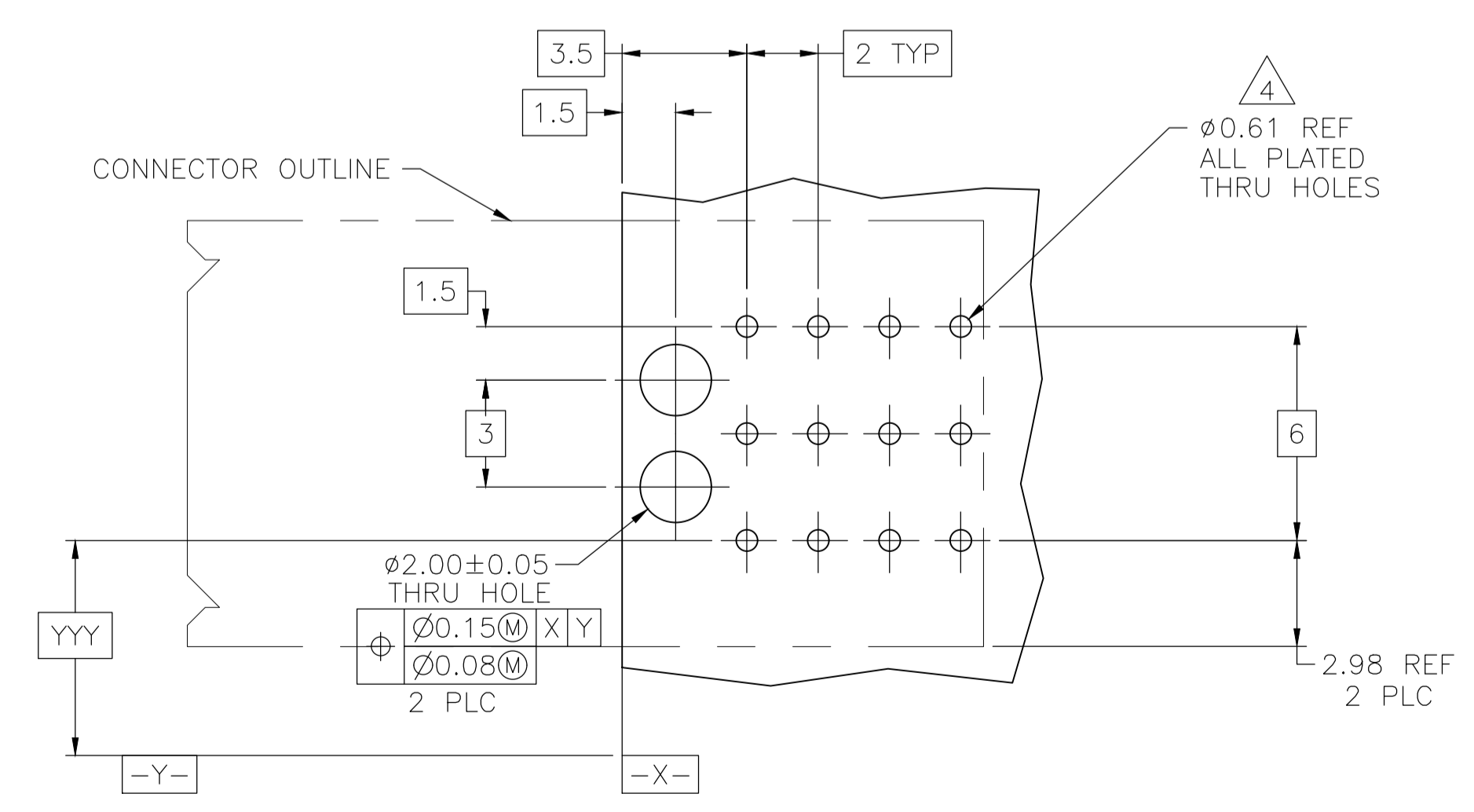
REVISIONS				
P	LTR	DESCRIPTION	DATE	APP'D
C1	REV PER ECO-20-004668		08JUN2020	ML SZ



- 1 MATERIAL: HOUSING: POLYESTER. COLOR: GRAY. UL 94V-0. CONTACT: PHOSPHOR BRONZE.
- 2 FINISH: IN ACCORDANCE WITH PRODUCT SPECIFICATION 108-1651, GOLD PLATING OR EQUIVALENT PLATING ON PRODUCT CONTACT MATING AREA, AND MATTE TIN PLATING ON COMPLIANT PIN AREA, ALL OVER MATTE NICKEL UNDERPLATED. DETAIL PLEASE REFER TO PRODUCT SPECIFICATION 108-1651.
- 3 FINISH: CONTACT LUBRICATION WITH BELLCORE APPROVED LUBRICANT. TECHNICAL REFERENCE: TR-NWT-001217, ISSUE 1, NOVEMBER 1992.
- 4 REFERENCE APPLICATION SPEC 114-1103 FOR RECOMMENDED PLATED THRU HOLE DIAMETER AND PLATING THICKNESS.
- 5. CURRENT RATING 10A/CONTACT PER PRODUCT SPEC 108-1651.



SECTION W-W
SCALE 40:1



RECOMMENDED PCB HOLE LAYOUT

B	A	2	120974-1
POSITIONS LOADED WITH 9.30 REF CONTACTS	POSITIONS LOADED WITH 7.68 REF CONTACTS	NO OF LOADED POSITIONS	PART NUMBER

THIS DRAWING IS A CONTROLLED DOCUMENT.		DIN B CARBO 14DEC04	TE Connectivity	
DIMENSIONS: mm		CHK R PATTERSON 14DEC04	NAME	
TOLERANCES UNLESS OTHERWISE SPECIFIED:		APP'D R PATTERSON 14DEC04	PRODUCT SPEC	
0 PLC ± -	1 PLC ± -	108-1651		
2 PLC ± 0.13	3 PLC ± -	APPLICATION SPEC		
4 PLC ± -	ANGLES ± -	114-1103		
MATERIAL	FINISH	WEIGHT	SIZE	CAGE CODE
1	2 3	0.000000	A1	00779
CUSTOMER DRAWING		DRAWING NO	DRAWING NO	RESTRICTED TO
		C=120974		
		SCALE	SHEET	REV
		6:1	1 of 1	C1