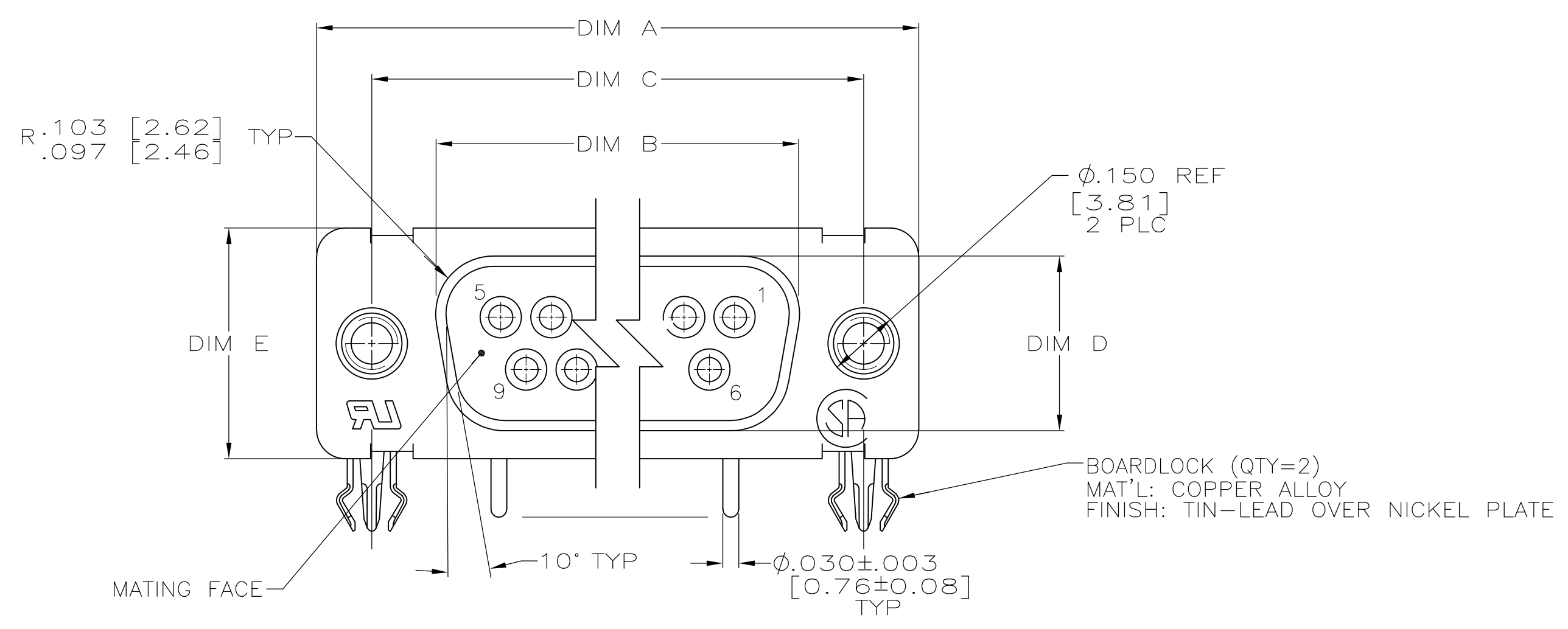
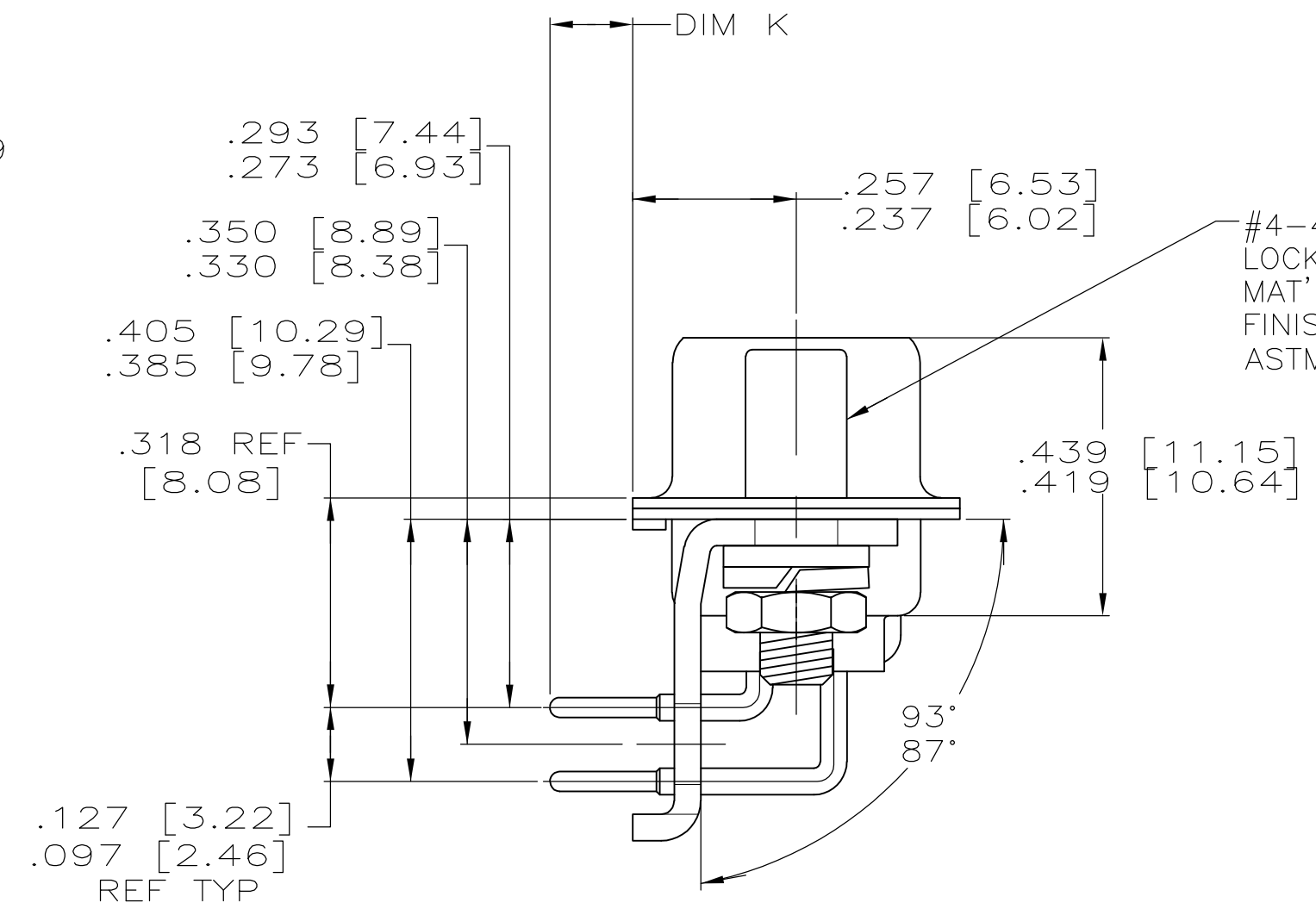
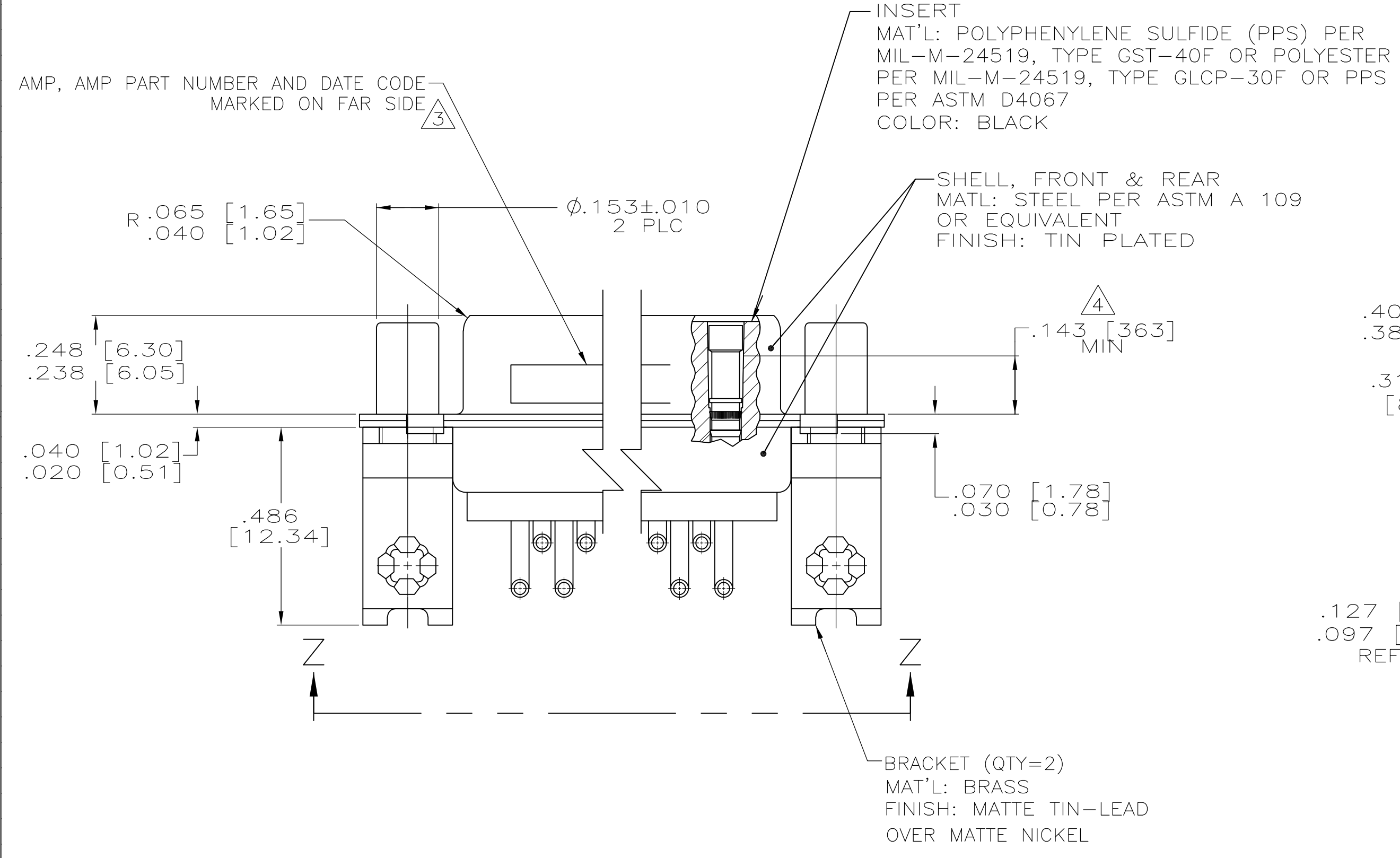
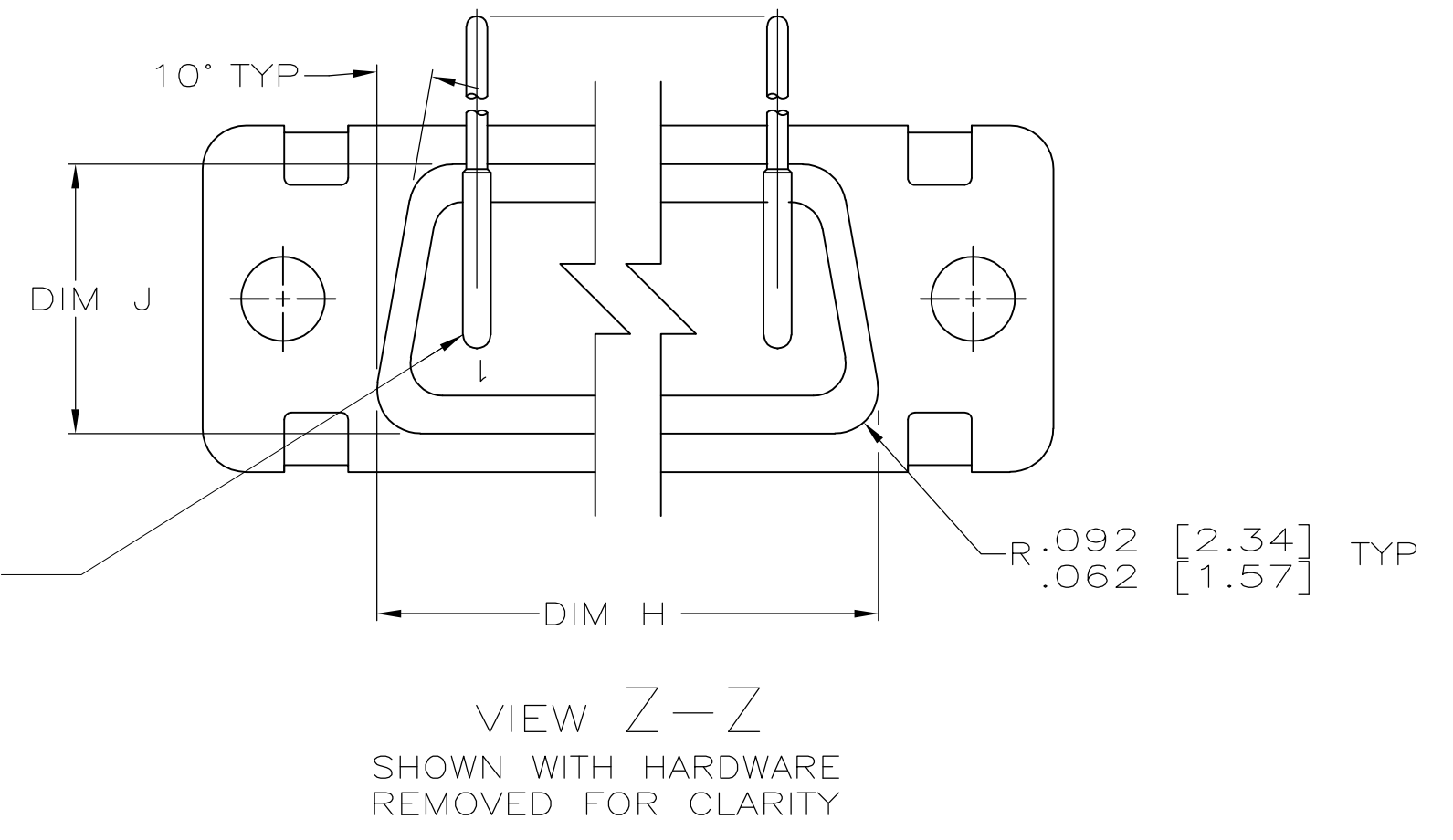


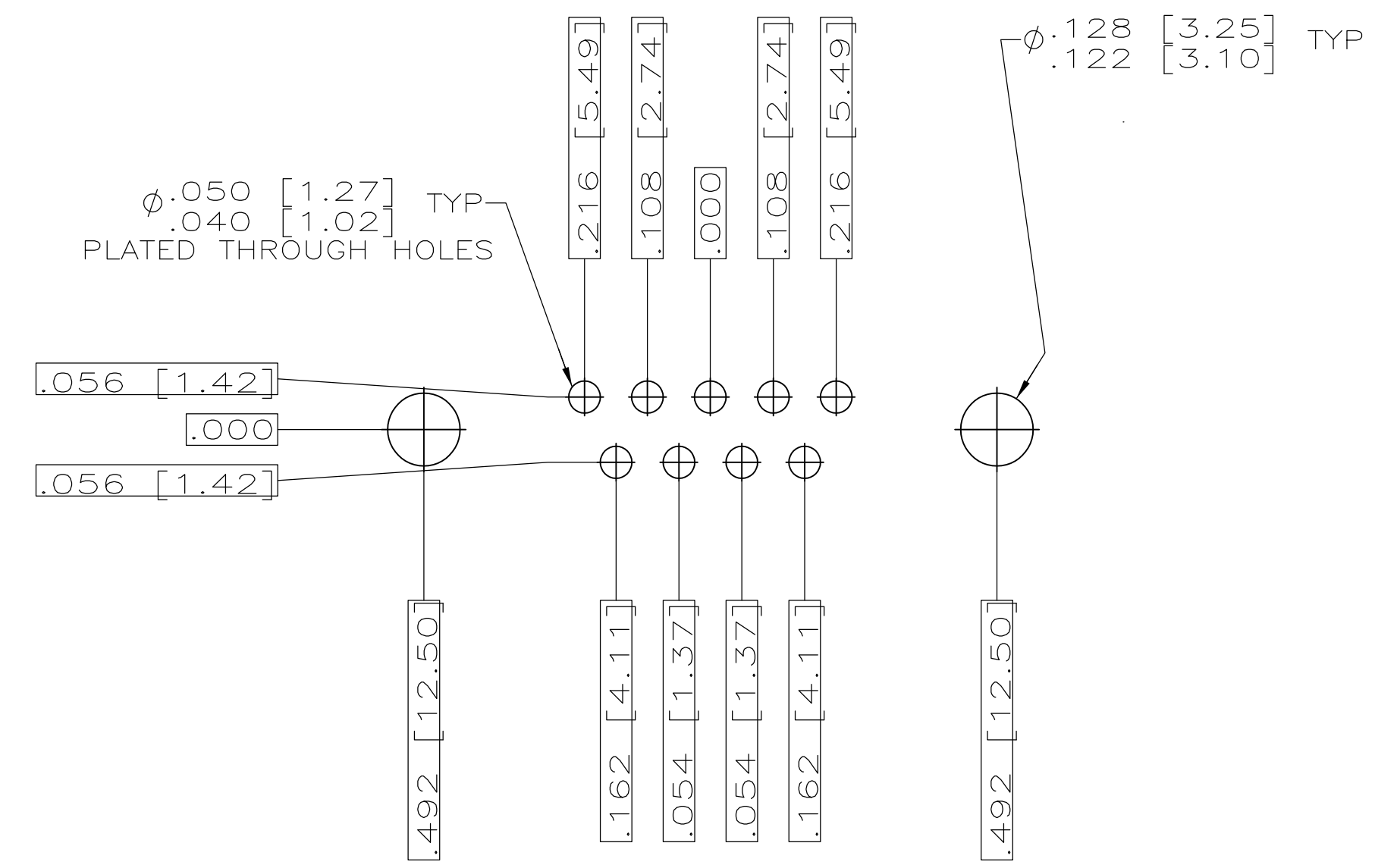
REVISONS		DATE	DMN	APVD
LOC	DIST	DESCRIPTION		
H	REV PER ECO-15-005707		KG	DM



SOCKET CONTACT (QTY = NO. OF POSN)  
 BODY MATL: BRASS PER ASTM-B-16, OR BERYLLIUM  
 COPPER PER ASTM-B-194  
 FINISH: SEE TABLE  
 CLIP (QTY = NO. OF POSN)  
 MAT'L: BERYLLIUM COPPER  
 FINISH: SEE TABLE



SHELL SIZE 1  
 CONTACT CONFIGURATION  
 SHOWN WITHOUT  
 BOARDLOCKS



RECOMMENDED P.C. BOARD LAYOUT  
 SHELL SIZE 1 (9 POSITION)

- △ TRUE POSITION TOLERANCE FOR P.C.BOARD LAYOUT IS .010 [0.25] AT MAX MATERIAL CONDITION. SUGGESTED BOARD THICKNESS IS .093±.005 [2.36±0.13]
- 2. THE CONNECTOR DESCRIBED IN THIS DOCUMENT WILL MATE WITH ANY PLUG CONNECTOR WITH THE SAME INSERT ARRANGEMENT.
- △ MARKED WITH .047 [1.19]-.062 [1.57] HIGH CHARACTERS. FAR SIDE REFERS TO THE WIDE SIDE OF THE KEYSTONE. NEAR SIDE REFERS TO THE NARROW SIDE OF THE KEYSTONE. IF THE FRONT SHELL IS TOO SMALL FOR "AMP", AMP PART NUMBER AND DATE CODE, THEN SPLIT SHALL BE AS FOLLOWS:
  - A. AMP PART NUMBER ON REAR SHELL, FAR SIDE.
  - B. "AMP" AND DATE CODE ON FRONT SHELL, FAR SIDE.

- △ POINT OF ELECTRICAL ENGAGEMENT - AS MEASURED WITH A .0390 [0.991]-.0393 [0.998] DIA SQUARE ENDED TEST PIN.
- △ FINISH:  
 CONTACT BODY: NICKEL HARDENED GOLD PER ASTM-B-488 .000010 [0.0003] MIN THK OVER NICKEL .000050 [0.0013] THK PER QQ-N-290  
 CLIP: GOLD PER ASTM-B-488, IN CONTACT MATING AREA, .000050 [0.0013] MIN THK OVER NICKEL .000050 [0.0013] THK PER QQ-N-290

- △ FINISH:  
 CONTACT BODY: BRIGHT TIN LEAD PER ASTM-B-571 .000050 [0.0130]-.000250 [0.0064] THK OVER NICKEL .000050 [0.0013]-.000150 [0.0038] THK PER QQ-N-290  
 CLIP: GOLD PER ASTM-B-488 .000050 [0.0013]-.000100 [0.0025] THK OVER NICKEL .000050 [0.0013]-.000150 [0.0038] THK PER QQ-N-290.

CONTACT FINISH	DIM K	DIM J	DIM H	DIM E	DIM D	DIM C	DIM B	DIM A	INSERT ARRANGEMENT	NO OF POS	SHELL SIZE	AMP PART NO.
△	.176 [4.47]	.432 [10.97]	.769 [19.53]	.509 [12.93]	.316 [8.03]	.989 [25.12]	.648 [16.46]	1.228 [31.19]	MS18273-1	9	1	1218665-6
△	.136 [3.45]	.412 [10.46]	.749 [19.02]	.479 [12.17]	.306 [7.77]	.979 [24.87]	.638 [16.21]	1.198 [30.43]	MS18273-1	9	1	1218665-1

OBSOLETE

THIS DRAWING IS A CONTROLLED DOCUMENT.

DIMENSIONS: INCHES	TOLERANCES UNLESS OTHERWISE SPECIFIED:	DIN C.C.THOMAS 2-9-00	APVD CHAD BAKER 2-10-00	NAME CHAD BAKER
0 PLC ± -	1 PLC ± -	2 PLC ± -	3 PLC ± .005 [0.13]	4 PLC ± -
ANGLES ± -				
MATERIAL SEE CALLOUTS	FINISH SEE CALLOUTS	WEIGHT -	SIZE A1	CAGE CODE 00779
CUSTOMER DRAWING		SCALE 4:1	SHEET 1 OF 1	REV H

STE TE Connectivity

RECEPTACLE ASSY, AMPLIMITE RIGHT ANGLE, SERIES 109 WITH ONE PIECE INSERT

1218665