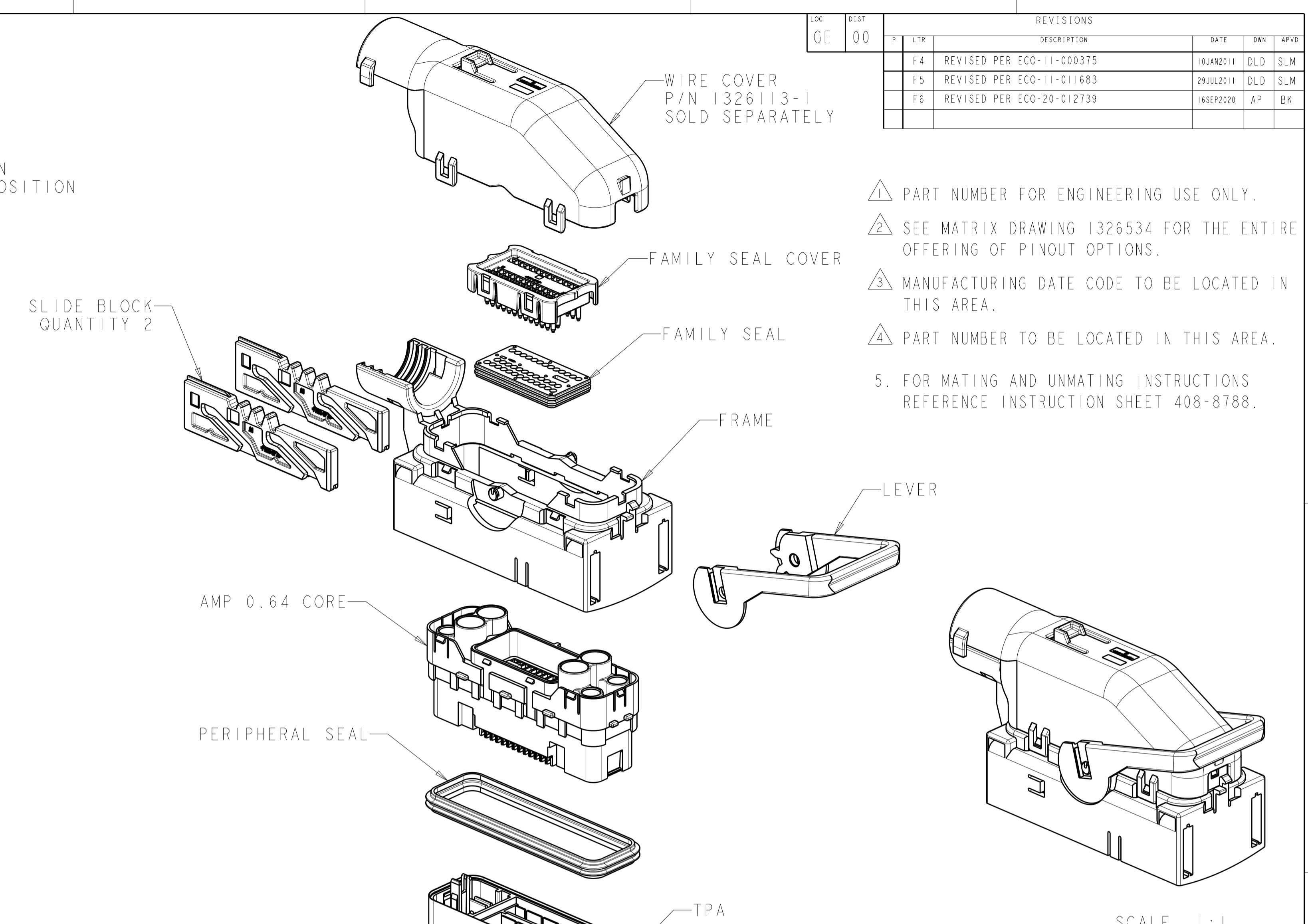
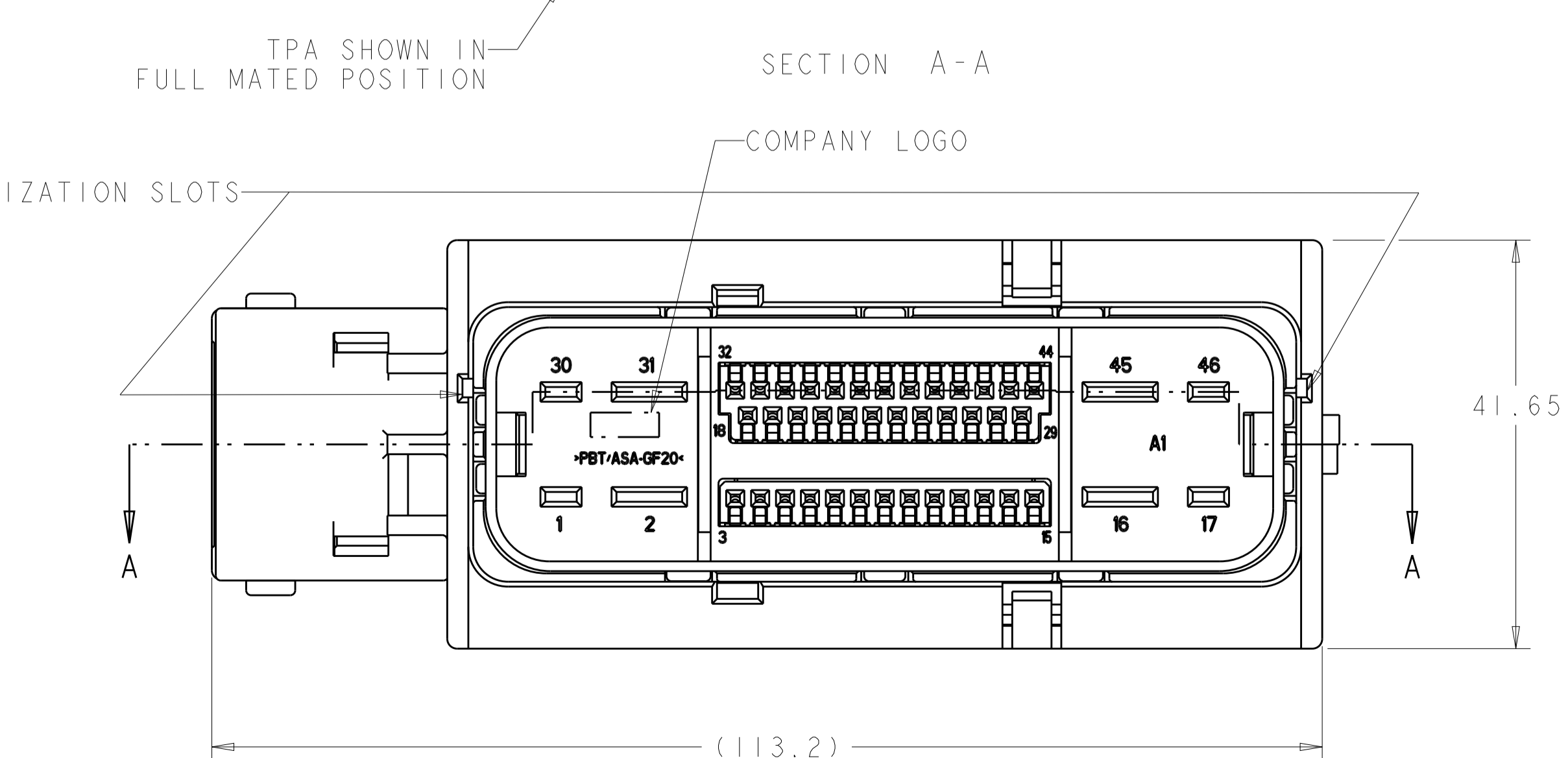
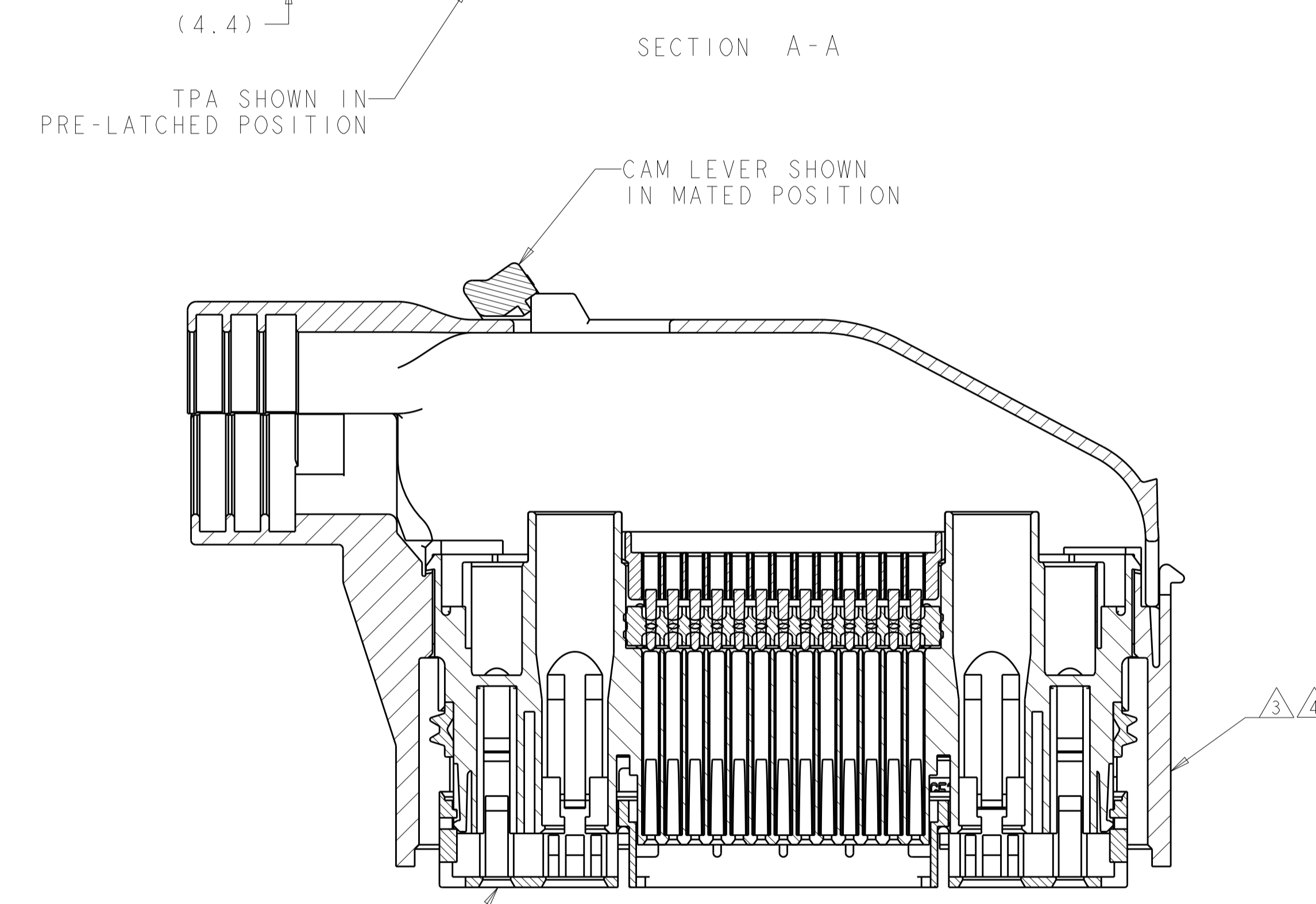
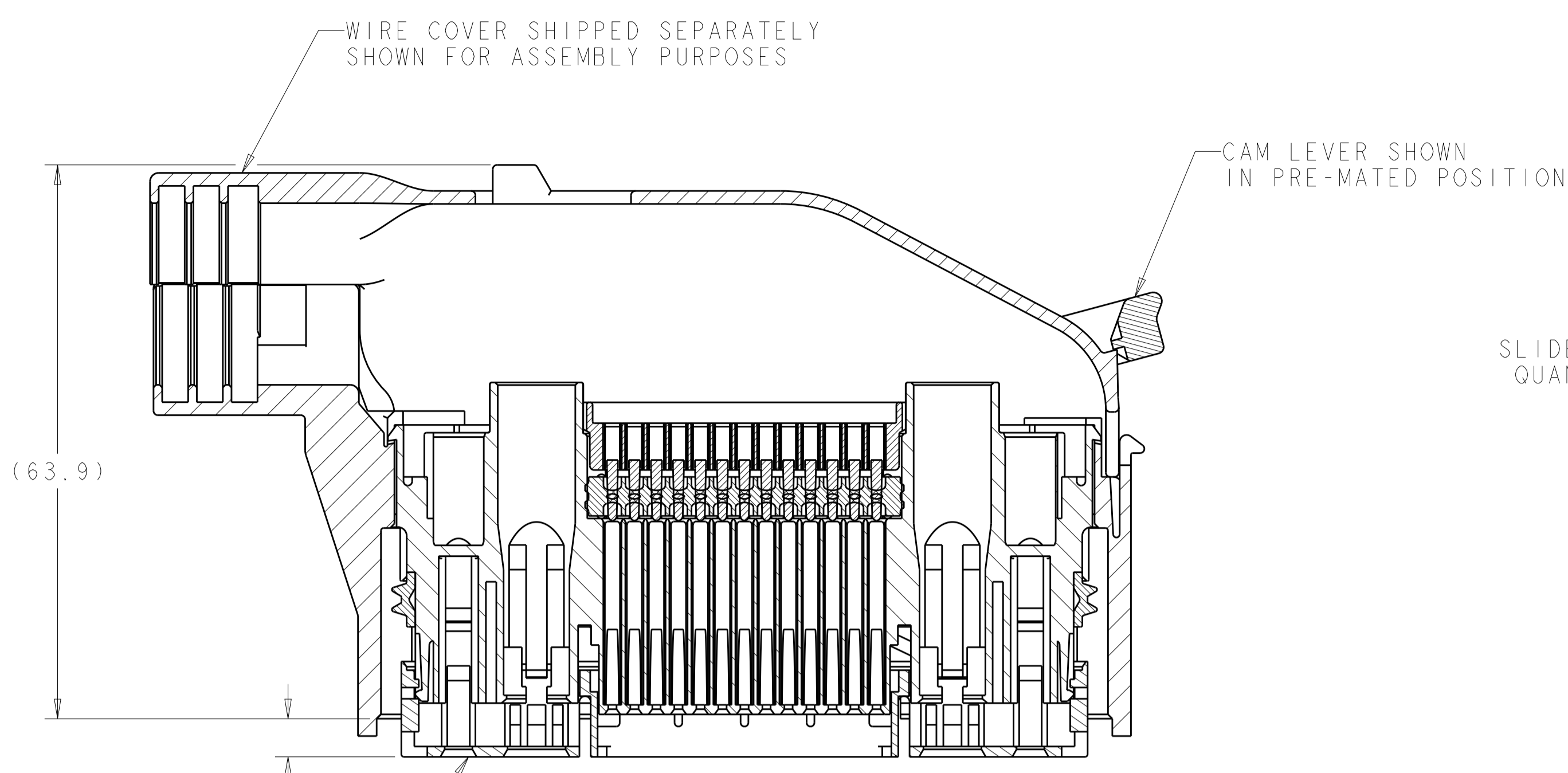


LOC	DIST	REVISIONS					
GE	00	P	LTN	DESCRIPTION	DATE	DWN	APVD
		F4		REVISED PER ECO-11-000375	10JAN2011	DLD	SLM
		F5		REVISED PER ECO-11-011683	29JUL2011	DLD	SLM
		F6		REVISED PER ECO-20-012739	16SEP2020	AP	BK



- 1 PART NUMBER FOR ENGINEERING USE ONLY.
- 2 SEE MATRIX DRAWING 1326534 FOR THE ENTIRE OFFERING OF PINOUT OPTIONS.
- 3 MANUFACTURING DATE CODE TO BE LOCATED IN THIS AREA.
- 4 PART NUMBER TO BE LOCATED IN THIS AREA.
- 5. FOR MATING AND UNMATING INSTRUCTIONS REFERENCE INSTRUCTION SHEET 408-8788.

2.8mm ALWAYS BLOCKED 6.3mm ALWAYS OPEN		6.3mm ALWAYS OPEN 2.8mm ALWAYS BLOCKED		2.8mm ALWAYS BLOCKED 6.3mm ALWAYS OPEN		6.3mm ALWAYS OPEN 2.8mm ALWAYS BLOCKED																																								
1	0	4	5	6	7	8	9	10				15	0	17	19	21	22	24	25				29	30	0	33	35	36	37	38	39	40				0	46	4-1326339-6								
1	0		5	6	7							14	15	0	17									28	29	30	0	33	34	35	36								0	46	4-1326339-5					
OBSOLETE	1	0	4	5	7	8	9	10	11			15	0	17	19	21	22	23	24	25			28	29	30	0	33	35	36	37	38	39	40				0	46	4-1326339-4							
OBSOLETE	1	0	4	5	6	7	8	9	11			15	0	17	19	21	22	23	25			28	29	30	0	33	35	36	37	38	40							0	46	4-1326339-3						
OBSOLETE	1	0	4	5	7	8	9	11				15	0	17	18	19	21	22	23	25			28	29	30	0	33	35	36	37	38	40						0	46	4-1326339-2						
1	0	4	5	6	7	8	9	10	11			14	15	0	17	19	20	22	23	24	25			28	29	30	0	33	34	35	36	37	38	39	40		43	44	0	46	4-1326339-1					
1	0		5	6	7							14	0	17										28	30	0	33	34	35	36								0	46	3-1326339-7						
1	0		5	6	7	8	9	10	11			14	15	0	17			20	22	23	24	25			28	29	30	0	33	34	35	36	37	38	39	40		0	46	3-1326339-6						
1	0		5	6	7	8	9	10	11			14	0	17				20	22	23	24	25			28	30	0	33	34	35	36	37	38	39	40		0	46	3-1326339-5							
1	0	4	5	6	7	8	9	10	11			14	15	0	17	19	20	21	22	23	24	25			28	29	30	0	33	34	35	36	37	38	39	40		0	46	1326339-9						
1	0	4	5	6	7	8	9	11				14	15	0	17	19	21	22	23	25			28	29	30	0	33	35	36	37	38	40						0	46	1326339-8						
1	0	4	5	6	7	8	9	10	11			15	0	17	19	21	22	23	24	25			28	29	30	0	33	35	36	37	38	39	40				0	46	1326339-7							
1	0	4	5	6	7	8	9	10	11			14	15	0	17	19	20	21	22	23	24	25			28	29	30	0	33	34	35	36	37	38	39	40		43	44	0	46	1326339-6				
1	0	4	5	7	8	9	10	11				14	15	0	17	19	21	22	23	24	25			28	29	30	0	33	35	36	37	38	39	40		0	46	1326339-5								
1	0	4	5	7	8	9	10	11				14	15	0	17	19	20	22	23	24	25			28	29	30	0	33	34	35	36	37	38	39	40		43	44	0	46	1326339-4					
1	0	4	5	7	8	9	10	11				14	15	0	17	19	20	21	22	23	24	25			28	29	30	0	33	34	35	36	37	38	39	40		43	44	0	46	1326339-3				
1	0	3	4	5	6	7	8	9	10	11	12	13	14	15	0	17	18	19	20	21	22	23	24	25	26	27	28	29	30	0	32	33	34	35	36	37	38	39	40	41	42	43	44	0	46	1326339-2
1	0														0	17											30	0												0	46	1326339-1				
1	2	3	4	5	6	7	8	9	10	11	12	13	14	15	16	17	18	19	20	21	22	23	24	25	26	27	28	29	30	31	32	33	34	35	36	37	38	39	40	41	42	43	44	45	46	PART NUMBER

BLANK CIRCUITS = OPEN CAVITIES; CIRCUITS NUMBERED "0" = ALWAYS OPEN CAVITIES; NUMBERED CIRCUITS = BLOCKED CAVITIES

THIS DRAWING IS A CONTROLLED DOCUMENT.

DIMENSIONS: mm

TOLERANCES UNLESS OTHERWISE SPECIFIED:

MATERIAL: . FINISH: .

APPROVED: J. TONEY

DATE: 17AUG2004

PRODUCT SPEC: . APPLICATION SPEC: .

WEIGHT: .

CUSTOMER DRAWING: .

SCALE: 2:1 SHEET 1 OF 2 REV: F6

STE TE Connectivity

NAME: PLUG ASSEMBLY, 46 POSITION, LEFT HAND WIRE EXIT, WITH CHANGEABLE CORE, EBC-440 2.8 TERMINAL POSITIONS BLOCKED

SIZE: . CAGE CODE: . DRAWING NO: A100779

SCALE: 2:1 SHEET 1 OF 2 REV: F6

