

P	LTR	DESCRIPTION	DATE	DWN	APVD
E		REVISED PER ECR-15-003625	27OCT2021	ED	WH
D		ECO-11-010041	16MAY2011	TITAN	MARTIN

NOTES:

- ① PACK IN ACCORDANCE WITH AMP SPEC 107-3275
- ② 100 TRAY PACK IN ACCORDANCE WITH AMP SPEC 107-3275
- ③ Au PLATING
- ④ Ni PLATING
- ⑤ Sn PLATING

6 ELECTRICAL CHARACTERISTICS

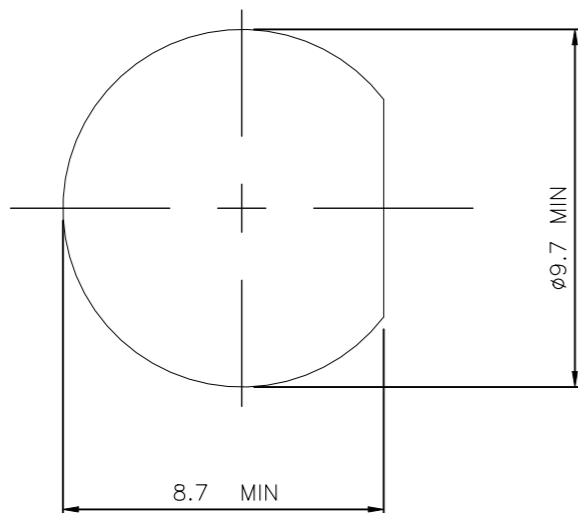
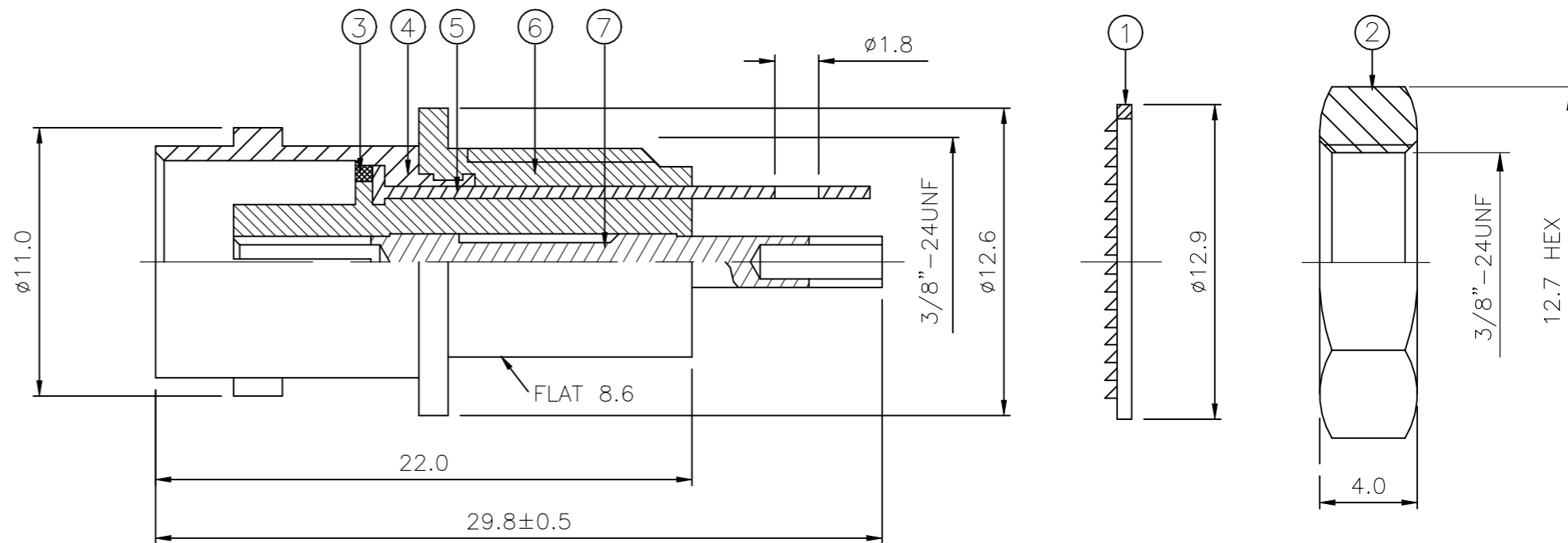
FREQUENCY RANGE: DC - 4 GHz  
 NOMINAL IMPEDANCE: 50 Ohms  
 INSULATION RESISTANCE: 5000 MOhms Min.  
 WORKING VOLTAGE: 500 Volts RMS at Sea Level  
 DIELECTRIC WITHSTAND VOLTAGE: 1500 Volts RMS Max  
 CONTACT RESISTANCE:  
 CENTRE CONTACT: 1.50 mOhms Max  
 OUTER CONTACT: 1.0 mOhms Max  
 VSWR @ xGHz: 1.3 MAX. @1 GHz  
 INSERTION LOSS xdb: 0.2 dB MAX. @1 GHz

7 MECHANICAL CHARACTERISTICS

INTERFACE IN ACCORDANCE WITH: MIL-STD-348A  
 DURABILITY: 500 MATINGS

8 ENVIRONMENTAL CHARACTERISTICS

OPERATING TEMPERATURE: -40 to +60 DegC



MOUNTING HOLE

QTY	QTY PER ASSY	MATERIAL	DESCRIPTION	ITEM
1	1	BRASS	CENTER CONTACT	7
1	1	ABS	BODY I	6
1	1	BRASS	GROUNDING TAB	5
1	1	BRASS	BODY II	4
1	1	BRASS	WASHER	3
1	1	BRASS	NUT	2
1	1	STEEL	WASHER	1
6--0	1--0	MATERIAL	DESCRIPTION	ITEM

THIS DRAWING IS A CONTROLLED DOCUMENT.		DWN J.SANDWELL 13DEC05	TE Connectivity <b>BNC INSULATED BULKHEAD SOCKET          FRONT MOUNT 50 OHM</b>											
DIMENSIONS: mm		CHK S.PARLOW 13DEC05												
TOLERANCES UNLESS OTHERWISE SPECIFIED:		APVD F.WHEELER-KING 13DEC05												
<table border="1"> <tr><td>0 PLC</td><td>± -</td></tr> <tr><td>1 PLC</td><td>± 0.2</td></tr> <tr><td>2 PLC</td><td>± 0.1</td></tr> <tr><td>3 PLC</td><td>± 0.05</td></tr> <tr><td>4 PLC</td><td>± -</td></tr> <tr><td>ANGLES</td><td>± 5°</td></tr> </table>		0 PLC			± -	1 PLC	± 0.2	2 PLC	± 0.1	3 PLC	± 0.05	4 PLC	± -	ANGLES
0 PLC	± -													
1 PLC	± 0.2													
2 PLC	± 0.1													
3 PLC	± 0.05													
4 PLC	± -													
ANGLES	± 5°													
MATERIAL SEE TABLE	FINISH SEE TABLE	APPLICATION SPEC -	NAME	RESTRICTED TO										
		WEIGHT 0.000000	SIZE A3	CAGE CODE 00779										
		DRAWING NO C-1337452		SCALE NTS										
		CUSTOMER DRAWING		SHEET 1 OF 1										
				REV E										