

THIS DRAWING IS UNPUBLISHED.

RELEASED FOR PUBLICATION DEC ,2005.

© COPYRIGHT 2005 By -

ALL RIGHTS RESERVED.

LOC	DIST	REVISIONS					
E	B	P	LTR	DESCRIPTION	DATE	DWN	APVD
		D		ECO-14-015780	29OCT2014	RZ	MY

NOTES:

1 SINGLE PACKING: ONE CONNECTOR PER LABELED BAG PACKAGED. LABELED PER TEC-107-115

2 TRAY PACKAGED

3 Ag PLATING

4 Zn PLATING

5 THIS ITEM MUST BE WHITE

6. ELECTRICAL CHARACTERISTICS

FREQUENCY RANGE:	DC - 1 GHz
NOMINAL IMPEDANCE:	50 Ohm
INSULATION RESISTANCE:	5000 MOhm
WORKING VOLTAGE:	500 Volts RMS at Sea Level
DIELECTRIC WITHSTAND VOLTAGE:	1500 Volts RMS Max
CONTACT RESISTANCE:	
CENTER CONTACT:	1.50 mOhm Max
OUTER CONTACT:	1.00 mOhm Max
VSWR @ 1GHz:	1.3 Max

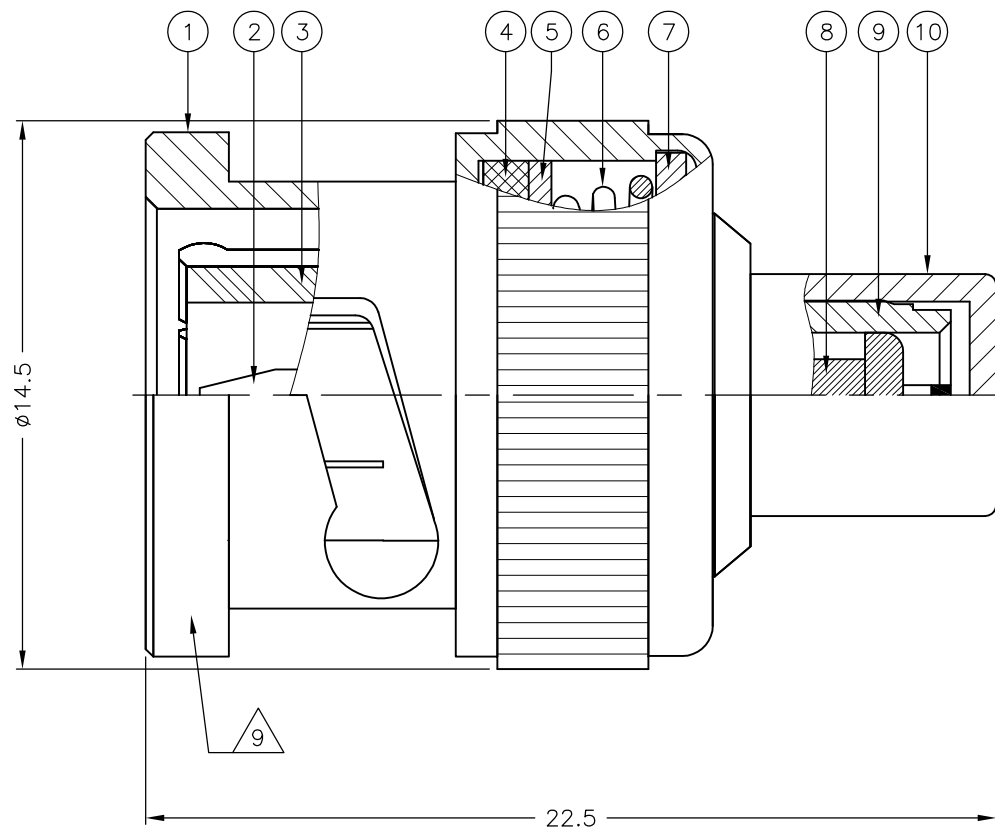
7. MECHANICAL CHARATERISTICS

COUPLING RETENTION FORCE:	266N
DURABILITY:	500 Cycles Min

8. ENVIRONMENTAL CHARACTERISTICS

OPERATING TEMPERATURE:	-65 to +165 DegC
------------------------	------------------

9 VALUE MARKED ON CONNECTOR BODY AS SHOWN (SEE TABLE)



QTY	QTY	MATERIAL	FINISH	DESCRIPTION	ITEM
1	1	BRASS	3	CAP	10
1	1	BRASS	3	BODY	9
1	1	1/2W-50 OHM	9	RESISTOR	8
1	1	SK-5	3	WASHER	7
1	1	SPRING STEEL	4	SPRING	6
1	1	SK-5	3	RETAINING RING	5
1	1	SILICONE RUBBER	5	GASKET	4
1	1	PTFE		INSULATOR	3
1	1	BRASS	3	CONTACT	2
1	1	BRASS	3	SHELL	1
6--0	1--0	MATERIAL		DESCRIPTION	ITEM
3	3				
QUANTITY PER ASSY		PARTS LIST			

THIS DRAWING IS A CONTROLLED DOCUMENT.		DWN	J.SANDWELL	14DEC05	<b>STE</b> TE Connectivity												
DIMENSIONS: mm		CHK	S.PARLOW	14DEC05													
TOLERANCES UNLESS OTHERWISE SPECIFIED:		APVD	F.WHEELER-KING	14DEC05													
<table> <tr><td>0 PLC</td><td>± -</td></tr> <tr><td>1 PLC</td><td>± 0.5</td></tr> <tr><td>2 PLC</td><td>± -</td></tr> <tr><td>3 PLC</td><td>± -</td></tr> <tr><td>4 PLC</td><td>± -</td></tr> <tr><td>ANGLES</td><td>± -</td></tr> </table>		0 PLC	± -	1 PLC		± 0.5	2 PLC	± -	3 PLC	± -	4 PLC	± -	ANGLES	± -	PRODUCT SPEC		NAME
0 PLC	± -																
1 PLC	± 0.5																
2 PLC	± -																
3 PLC	± -																
4 PLC	± -																
ANGLES	± -																
MATERIAL SEE TABLE		FINISH -		WEIGHT -	APPLICATION SPEC -												
		SIZE	A3	CAGE CODE	00779												
		DRAWING NO	C-1337463		RESTRICTED TO												
		SCALE	NTS		SHEET												
		CUSTOMER DRAWING		1 OF 1	REV D												