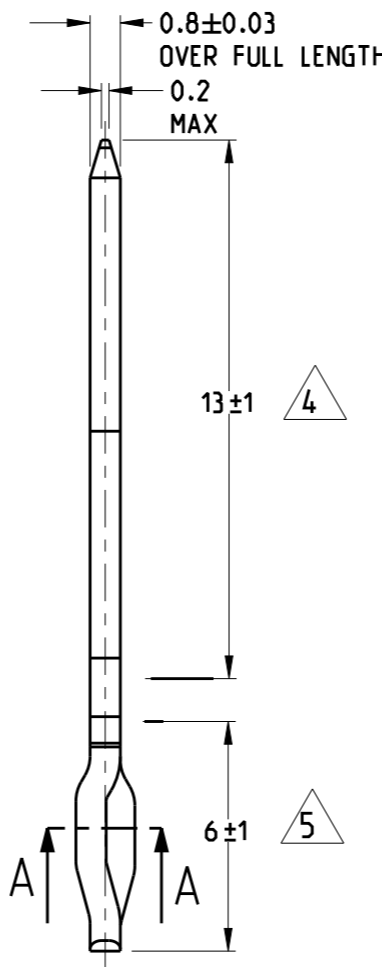
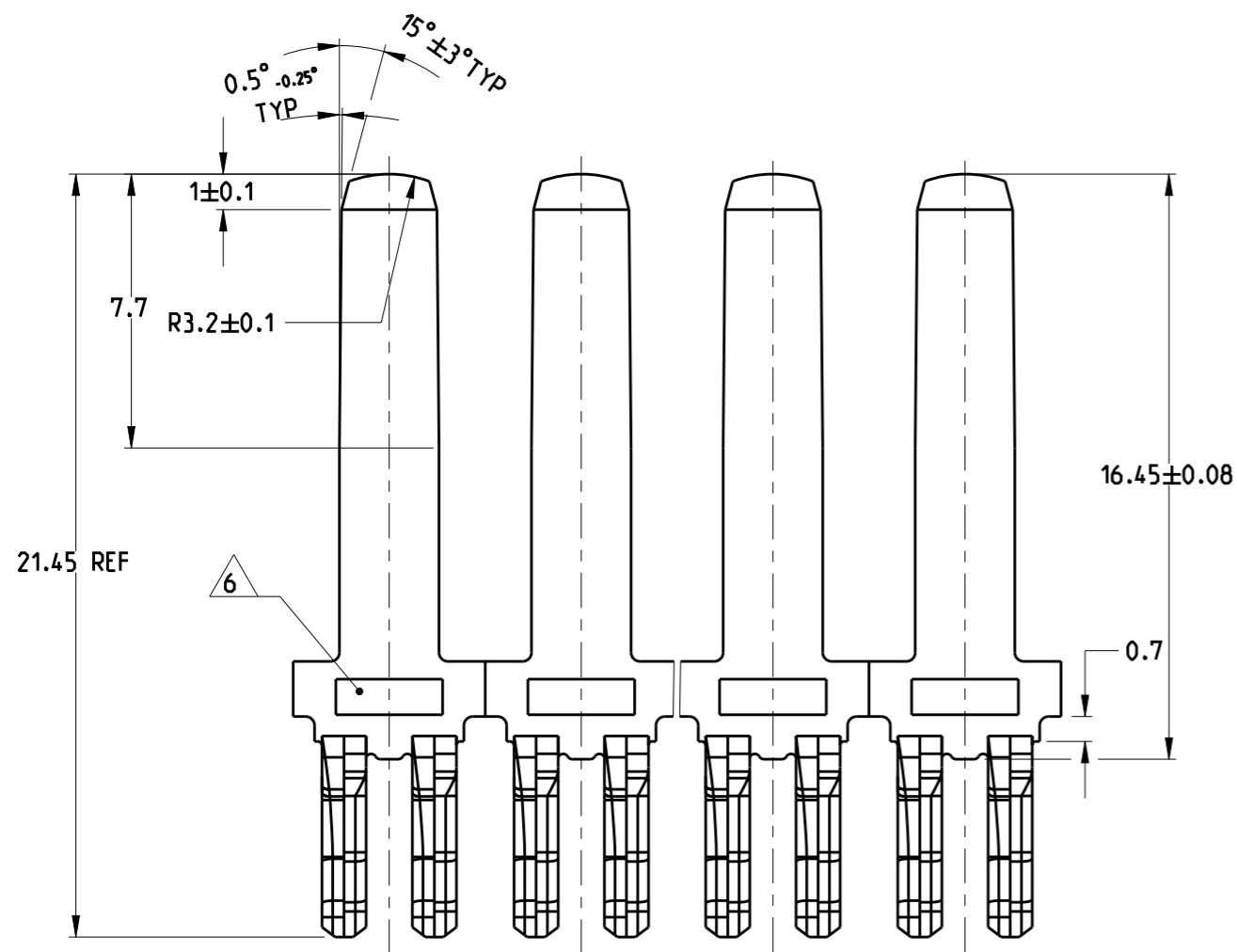


THIS DRAWING IS UNPUBLISHED. RELEASED FOR PUBLICATION
 © COPYRIGHT 2007 BY - ALL RIGHTS RESERVED.

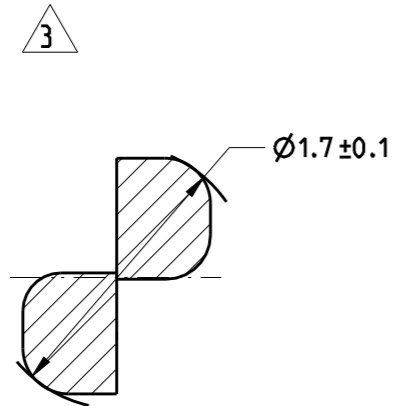
LOC	DIST	REVISIONS					
A1	-	P	LTR	DESCRIPTION	DATE	DWN	APVD
			C	CUT-OFF CLEARANCE ADDED IN CARRIER STRIP	25FEB2013	PKS	RRP



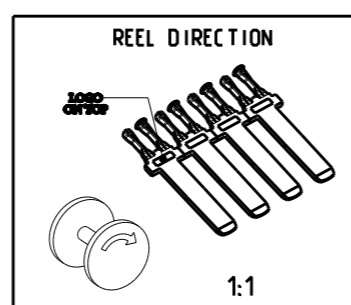
P.C.B HOLE DIM ACTION PIN
 Drilled hole: 1.6±0.025 mm
 Fin. Hole: 1.48±0.08 mm
 Cu-thks: 0.025 to 0.075 mm
 Sn-thks: 0.004 to 0.010 mm

NOTES:

- 1 PHOSPHORBRONZE
- 2 2.54-5.00 µm Sn Over
1.25-2.00 µm Ni
- 3 CUT OFF WIDTH
- 4 1.5-4.0 µm AG over Ni
- 5 2.54-5.00 µm Sn Over
1.25-2.00 µm Ni
- 6 LOGO



C	4/5	1	1377181-3
C	2	1	1377181-2
REVISION	FINISH	MATERIAL	PART NO



THIS DRAWING IS A CONTROLLED DOCUMENT.															
DIMENSIONS: mm	TOLERANCES UNLESS OTHERWISE SPECIFIED: ±0.2mm														
	<table border="1"> <tr><td>0 PLC</td><td>±</td></tr> <tr><td>1 PLC</td><td>±</td></tr> <tr><td>2 PLC</td><td>±</td></tr> <tr><td>3 PLC</td><td>±</td></tr> <tr><td>4 PLC</td><td>±</td></tr> <tr><td>ANGLES</td><td>±1°</td></tr> <tr><td>FINISH</td><td>-</td></tr> </table>	0 PLC	±	1 PLC	±	2 PLC	±	3 PLC	±	4 PLC	±	ANGLES	±1°	FINISH	-
0 PLC	±														
1 PLC	±														
2 PLC	±														
3 PLC	±														
4 PLC	±														
ANGLES	±1°														
FINISH	-														
MATERIAL	-														

DWN	04-04-00
CHK	19-07-01
APVD	19-07-01
PRODUCT SPEC	A.Bijnen
APPLICATION SPEC	-
WEIGHT	-
Customer Drawing	

STE TE Connectivity

NAME: 2.8X0.8mm TAB WITH ACTION PIN (1.6-3.2 P.C BOARD THICKNESS.)

SIZE	CAGE CODE	DRAWING NO	RESTRICTED TO
A3	00779	C-1377181	-

SCALE: 5:1 SHEET 1 OF 1 REV C